

MODEL 433

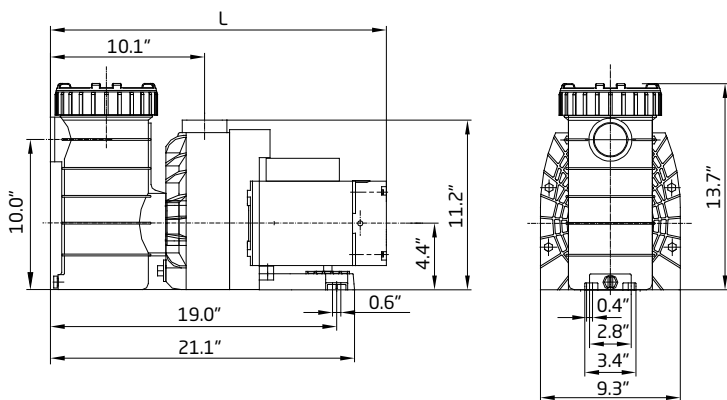


High Performance, High Head Swimming Pool Pump

Features

- This high performance, high head pump comes complete with our unique mechanical shaft seal that allows the pump, if mistreated, to run dry for up to one hour.
- The pump can be used for pool water with a salt concentration of up to 5000 ppm.
- Pump parts are made of 100% recyclable plastic. Non-corrosive, chemical/UV resistant, and can withstand temperatures of up to 175°F.
- Suction and discharge are reinforced with aluminum rings.
- For pool users' safety, the impeller has a dielectric shaft sleeve that provides absolute separation between pool water and electric parts.
- Lock ring that incorporates handles. These handles provide the user with a convenient way to easily remove the lid.
- Flooded suction models available.
- Heavy duty "1081" pool motor with large 56 frame is thermally protected, has a PSC switchless design and extra large sealed ball bearings.
- Available with E-plus®/extreme-E® energy efficient motors for extra low energy consumption.
- Motor is easy to remove without disturbing the plumbing. Reusable o-rings throughout.
- Two year warranty on the motor and all pump parts, including normal wear of the mechanical seal.
- Every pump is performance tested before leaving the Speck factory.

Dimensional Drawing



MODEL	DIMENSION "L"	SHIPPING WEIGHT
433-I	24.8"	37 lbs.
433-II	24.8"	39 lbs.
433-III	25.8"	40 lbs.
433-IV	26.0"	44 lbs.
433-V	26.3"	54 lbs.
433-VI	26.8"	56 lbs.



Model 433-V



Trademarks and Certifications



Applications

- In-ground pools
- Pool/Spa Combinations

Performance Curves

