

MODEL ES90



High Performance, Medium Head Swimming Pool Pump

Features

- This high performance, medium head pump comes complete with an industry standard Carbon/Ceramic 5/8" mechanical seal for convenient replacement.
- Pump parts are made of 100% recyclable plastic. Non-corrosive, chemical/UV resistant, and can withstand temperatures of up to 150° F.
- All models are equipped with quick disconnect unions for easy installation and maintenance. Comes standard with 2" suction and 1.5"/2" discharge.
- For pool users' safety, the impeller has a dielectric shaft sleeve that provides absolute separation between pool water and electric parts.
- Lock ring that incorporates handles. These handles provide the user with a convenient way to easily remove the lid.
- Pump is equipped with energy efficient, switchless PSC 48 frame motor. Dual voltage motor with toggle switch and has a stainless steel shaft.
- Variety of cord sets are available.
- Motor is easy to remove without disturbing the plumbing. Reusable o-rings throughout.
- The Model ES90 comes complete with a full 12 month warranty.
- Every pump is performance tested before leaving the Speck factory.



Model ES90-II

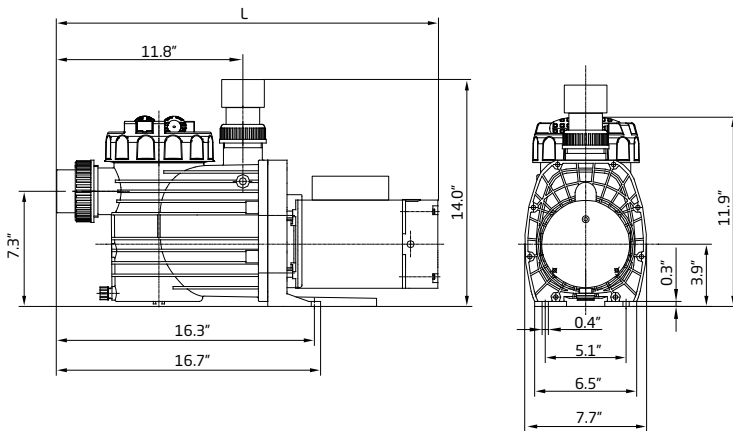
Trademarks and Certifications



Applications

- In-ground pools (small to medium)
- Residential pools

Dimensional Drawing



MODEL	DIMENSION "L"	SHIPPING WEIGHT
ES90-I	24.0"	30 lbs.
ES90-II	24.5"	31 lbs.
ES90-II VS	23.5"	24 lbs.
ES90-III	24.5"	34 lbs.
ES90-IV	25.5"	40 lbs.

Performance Curves

