

To make a **Big Impact** you need a **Big Pump**

With Speck Pumps, you have your choice of a wide range of specialized products. Designed with German engineering and built in America to deliver the highest quality in the market, each of our pump models have varied features and abilities.

Dramatic water features require a pump specifically designed for the job. Make a big impact, choose Speck Pumps

- Compatible with our Automated Flow System™
- Available with a Mounted VFD
- 2 year warranty



Model 95-IX



WE BRING **WATER** TO LIFE.™

Toll Free 800.223.8538
Telephone 904.739.2626
www.speck-pumps.com

SPECK 
pumps

MODEL 95

High Performance Plastic Commercial Pool Pump



Features

- Large one-piece housing design with integrated strainer basket and easy on/off two piece lid.
- Quiet and efficient medium head pump performance.
- This high performance pump comes complete with our unique mechanical shaft seal that allows the pump, if mistreated, to run dry for up to one hour.
- The pump can be used for pool water with a salt concentration of up to 5000 ppm.
- Equipped with 4" quick disconnect unions for easy installation and maintenance.
- Wrench for unions and lid is included with each pump. Flanges are available on request.
- Available with a heavy duty energy efficient totally enclosed fan cooled (TEFC) or Open Drip Proof (ODP) motor designs. (*Model 95-IX & Model 95-X requires a motor starter.*)
 - ODP motor design - Single Speed (Single or 3 Phase) or 2-Speed (Single Phase)
 - TEFC motor design - Single Speed (Single or 3 Phase)
- Motor is easy to remove without disturbing the plumbing. Reusable o-rings throughout.
- Compatible with our VFD line. (*Direct mount option available*)
- Two year warranty on the motor and all pump parts, including normal wear of the mechanical seal.
- Every pump is performance tested before leaving the Speck factory.



Model 95-X (w/ TEFC Motor)



CONFORMS TO
NSF/ANSI Std. 60



Model 95-VIII (w/ ODP Motor)

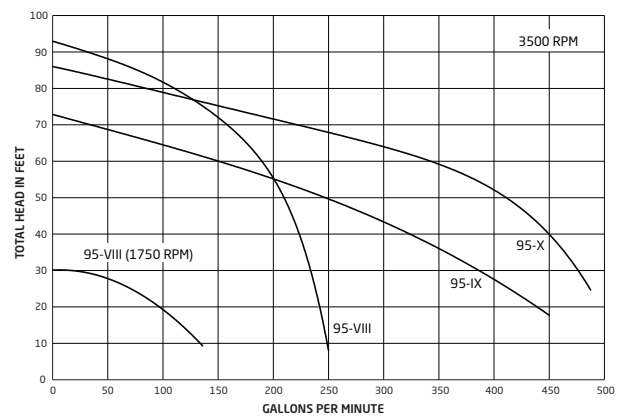


Model 95-X (w/ Directly Mounted VFD)

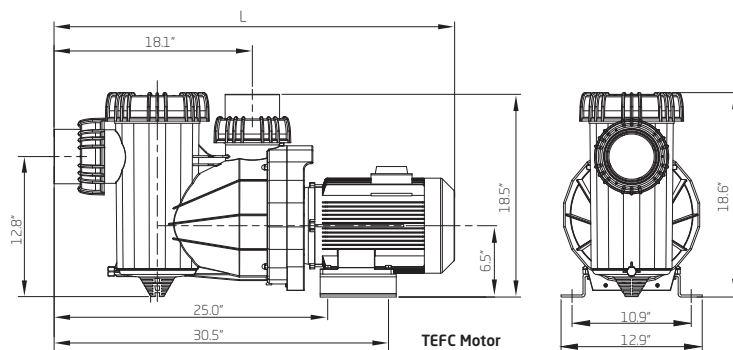
Applications

- Large in-ground pools
- High rate sand filter applications
- Water Features
- Salt water applications

Performance Curves



Dimensional Drawing



Model 95-VIII dimensional drawing, please call Speck Customer Service (800) 223-8538

ORDER #	MODEL	HP	S.F.	THP	S.F. AMPS	VOLTS	MOTOR/FRAME	SPEED	DIMENSION "L"	SHIPPING WEIGHT
IG274-1500M-000	95-VIII (1PH)	4.0	1.25	5.0	21.0-19.4	208-230	EE*/ODP/56	single	36.8"	75 lbs.
IG271-2500M-000	95-VIII (1PH)	4.0	1.25	5.0	19.4/4.0	230	EE*/ODP/56	2-speed	36.8"	75 lbs.
IG273-1500M-000	95-VIII (3PH)	4.0	1.25	5.0	13.7-13.0/6.5	208-230/460	ODP/56	single	36.8"	80 lbs.
IG274-1500F-000	95-IX (1PH)	5.0	1.15	5.75	26.0	208-230	EE*/TEFC/112M	single	36.5"	140 lbs.
IG273-1500F-000	95-IX (3PH)	5.0	1.15	5.75	16.0/8.1	208-230/460	TEFC/112M	single	34.0"	100 lbs.
IG274-1750F-000	95-X (1PH)	7.5	1.15	8.625	36.0	208-230	EE*/TEFC/112M	single	36.5"	140 lbs.
IG273-1750F-000	95-X (3PH)	7.5	1.15	8.625	22.0-20.0/10.0	208-230/460	TEFC/112M	single	36.5"	141 lbs.

*EE = Premium energy efficient motors.

NOTE: Models 95-VIII single phase and Model 95-VIII 2-speed are thermally protected. All other models requires a motor starter.