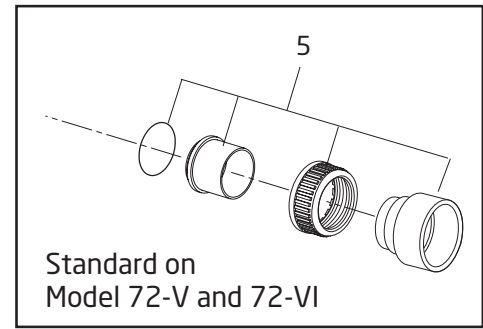
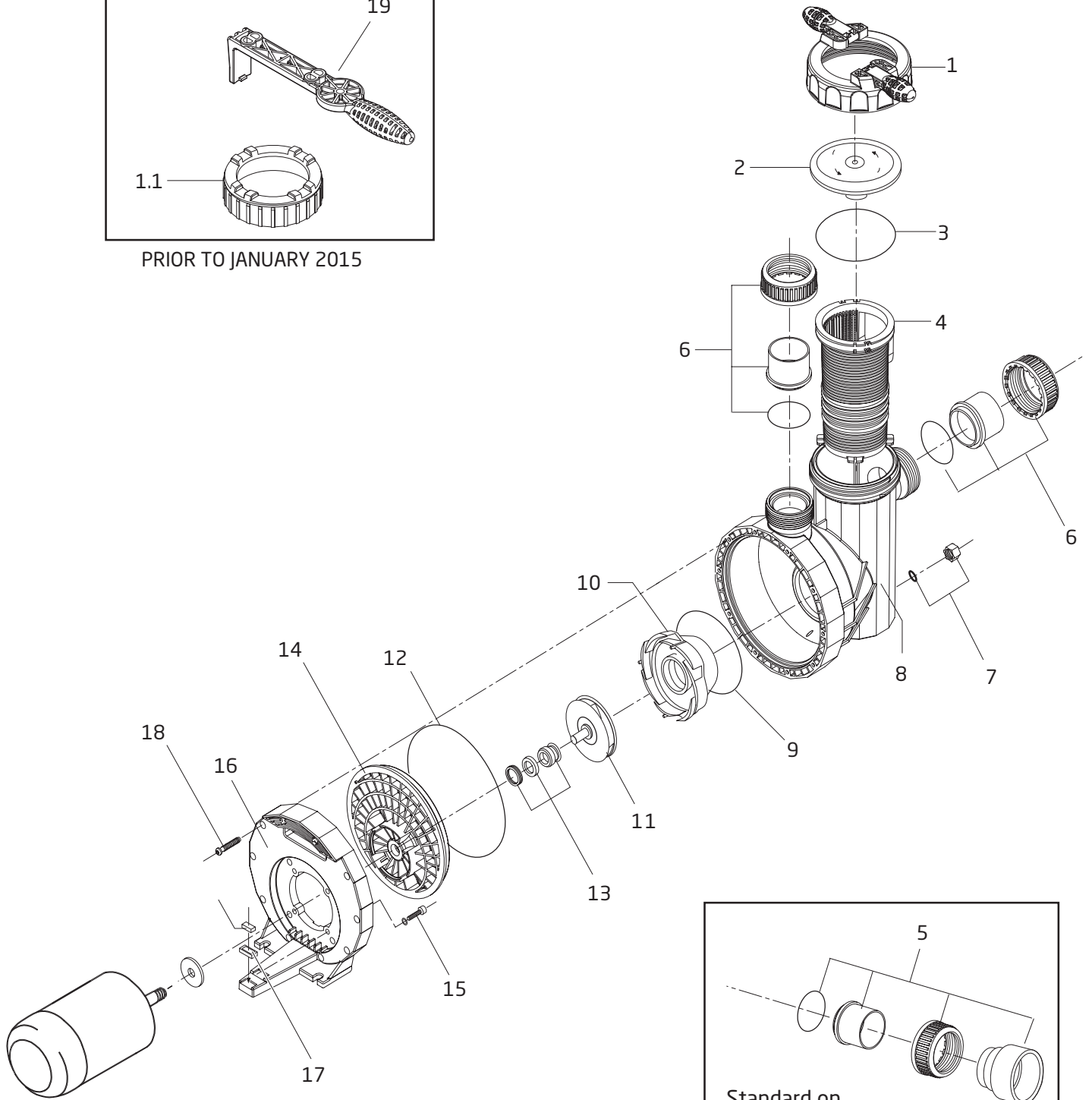


PRIOR TO JANUARY 2015



Swimming Pool Pump

Order #	Drawing Number	Qty Required	Description	List Price
2921116022	1	1	LOCK RING WITH HANDLES - LID	\$ 33.40
2901116010	2	1	LID - CLEAR	18.20
2921116012B	NOT SHOWN	1	LID - CLEAR WITH LED LIGHT	41.20
2921141210	3	1	O-RING - LID 137 x 5mm	4.70
2901114300	4	1	BASKET - ONE PIECE	15.80
2921770006	5*	2	SET - 3" UNION COMPLETE - (STANDARD -VI)	29.90
2500300918	5**	1	3" UNION PACKAGE CPL - SUCTION & DISCHARGE (STANDARD -VI)	59.60
2921770005	6*	2	SET - 2" PVC UNION COMPLETE - (STANDARD -IV, -V)	12.90
2500300926	6**	1	2" PVC UNION PACKAGE CPL - SUCTION & DISCHARGE (STANDARD -IV, -V)	26.00
2901158200	7	1	DRAIN CAP 3/8" WITH GASKET - CASING	2.50
2901410101	8	1	CASING (PPGF30) - LIGHT GRAY	154.10
2920141210	9	1	O-RING - DIFFUSER 90 x 5mm	3.10
2921317420	10	1	DIFFUSER	45.40
2920423020	11	1	IMPELLER (-IV) 2.0 HP S.F. 1.0 118/11.5mm	46.80
2920523040	11.1	1	IMPELLER (-V) 2.5 HP S.F. 1.0 113/16.0mm	46.80
2921700003	11.2	1	IMPELLER (-VI) 3.5 HP S.F. 1.0 117/21.0mm	46.80
2901441220	12	1	O-RING - CASING 225 x 6mm	14.20
2920343310	13	1	MECHANICAL SEAL (20mm) COMPLETE	51.90
2901416101A	14	1	SEAL HOUSING	40.00
2991000096	15	4	BOLT - MOTOR, HEX (3/8 - 16 x 1-1/2") SS	2.60
2991400035	15	4	WASHER - MOTOR BOLT (3/8") SS	0.50
2901411301	16	1	FLANGE	50.20
2920889410	17	2	LEGO SPACER	0.40
2991000091	18	10	SCREW - CASING HEX/SLOT M7 x 48mm SS	3.90

* 3" SUCTION & DISCHARGE UNION SET - INCLUDES NUT, O-RING, AND ADAPTOR

** 2" SUCTION & DISCHARGE UNION SET - INCLUDES NUT, AND O-RING

Parts Below Are Unique To The BADU EcoM2/72 Shipped Prior To January, 2015

2901116020	1.1	1	LOCK RING - LID	19.60
2921157700	19	1	SPANNER - LID (OPTIONAL PART)	12.80

Go Kits For The BADU EcoM2/72

SPK-72-GOKIT	1	KIT INCLUDES THE FOLLOWING PARTS:		76.10
		2921141210 - O-RING LID 137 x 5mm		
		2920141210 - O-RING DIFFUSER 90 x 5mm		
		2920343310 - MECHANICAL SEAL (20mm) CPL		
		2901441220 - O-RING CASING 225 x 6mm		
		2901141211 - O-RING UNION 68 x 3.5mm		