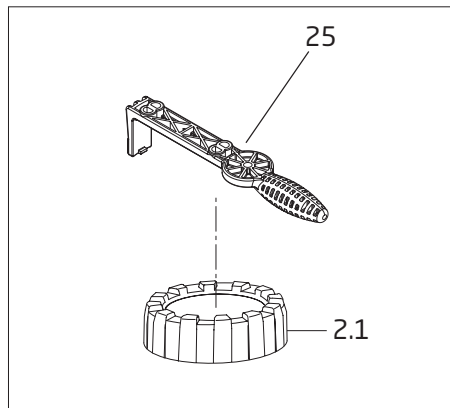
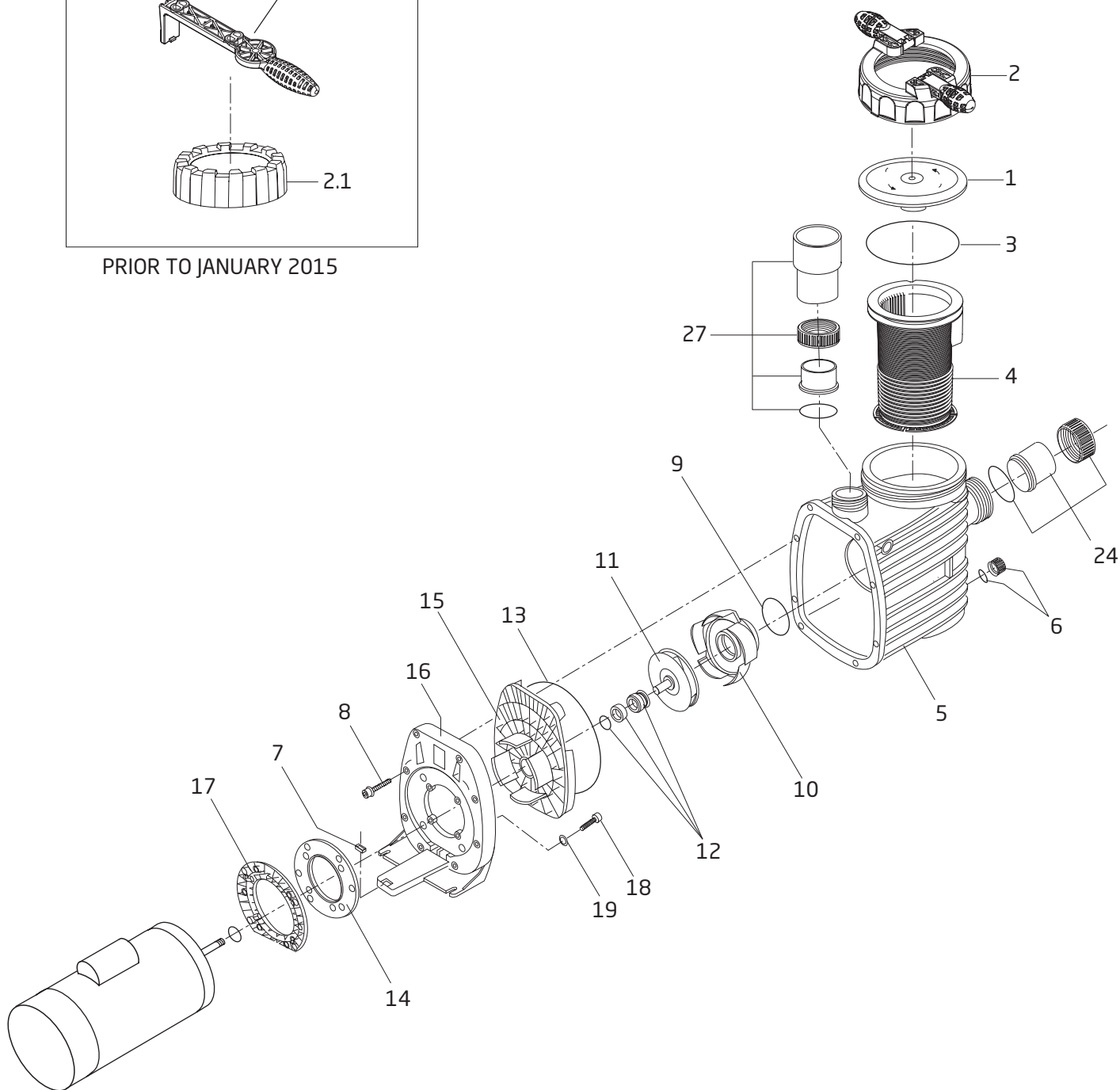


BADU® EcoM2/S90

Swimming Pool Pump



PRIOR TO JANUARY 2015



Swimming Pool Pump

Order #	Drawing Number	Qty Required	Description	List Price
2901116010	1	1	LID - CLEAR	\$ 18.20
2921116012B	NOT SHOWN	1	LID - CLEAR WITH LED LIGHT	41.20
2921116022	2	1	LOCK RING WITH HANDLES - LID	33.40
2921141210	3	1	O-RING - LID 137 x 5mm	4.70
2901114300	4	1	BASKET - ONE PIECE	15.80
2921110130	5	1	CASING	164.50
2901158200	6	1	DRAIN CAP 3/8" WITH GASKET - CASING	2.50
2920889410	7	1	LEGO SPACER	0.40
2991000091	8	8	SCREW - CASING HEX/SLOT M7 x 48mm SS	3.90
2920141210	9	1	O-RING - DIFFUSER 90 x 5mm	3.10
2921117412	10	1	DIFFUSER	45.40
2920223090	11	1	IMPELLER (-II) 1.0 HP S.F. 1.0 101/9.0mm	70.50
2920223091	11.1	1	IMPELLER (-III) 1.5 HP S.F. 1.0 106/9.0mm	70.50
2920223092	11.2	1	IMPELLER (-IV) 2.0 HP S.F. 1.0 114/9.0mm	70.50
2920343310	12	1	MECHANICAL SEAL (20mm) COMPLETE	51.90
2921141222	13	1	O-RING - CASING 190 x 6mm	9.50
2920216110	14	1	INTERMEDIATE FLANGE	8.20
2921116110	15	1	SEAL HOUSING	30.40
2921111300	16	1	FLANGE	38.40
2920110200	17	1	MOTOR FLANGE - 56 FRAME	13.90
2991400029	18	4	BOLT - MOTOR (3/8-16 x 2.25")	2.50
2991400035	19	4	WASHER - MOTOR BOLT (3/8") SS	0.50
2921770005	24	1	SET - SUCTION UNION COMPLETE	12.90
2500300902	27	1	SET - DISCHARGE UNION COMPLETE	30.40
2500300914	24 & 27	1	COMPLETE UNION PACKAGE - SUCTION/DISCHARGE	43.30

Parts Below Are Unique To The BADU EcoM2/S90 Shipped Prior To January, 2015

2901116020	2.1	1	LOCK RING - LID	19.60
2921157700	25	1	SPANNER - LID (OPTIONAL PART)	12.80

Go Kits For The BADU EcoM2/S90

SPK-S90-GOKIT	1	KIT INCLUDES THE FOLLOWING PARTS:		71.90
			2921141210 - O-RING LID 137 x 5mm	
			2920141210 - O-RING DIFFUSER 90 x 5mm	
			2920343310 - MECHANICAL SEAL (20mm) CPL	
			2921141222 - O-RING CASING 190 x 6mm	
			2920241220 - O-RING UNION 50 x 3mm	
			2901141211 - O-RING UNION 68 x 3.5mm	

