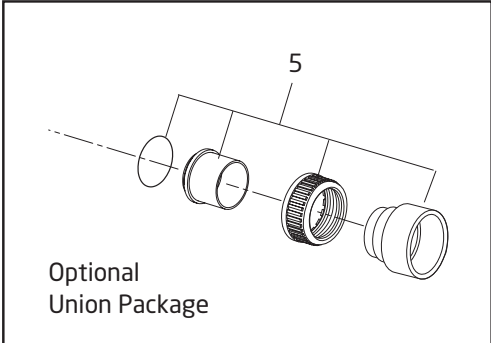
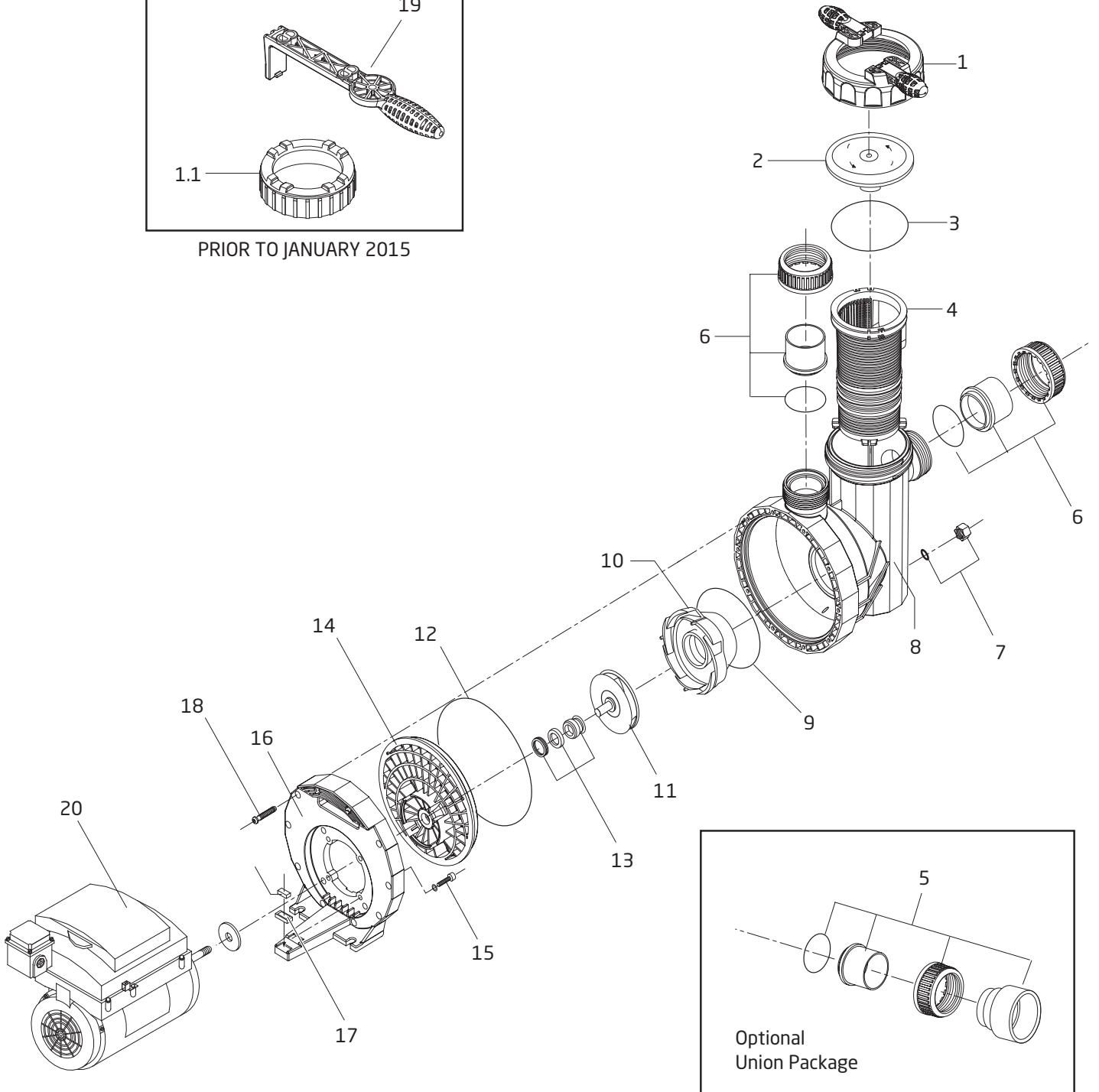


PRIOR TO JANUARY 2015



Variable Speed Swimming Pool Pump

Order #	Drawing Number	Qty Required	Description	List Price
2921116022	1	1	LOCK RING WITH HANDLES - LID	\$ 33.40
2901116010	2	1	LID - CLEAR	18.20
2921116012B	NOT SHOWN	1	LID - CLEAR WITH LED LIGHT	41.20
2921141210	3	1	O-RING - LID 137 x 5mm	4.70
2901114300	4	1	BASKET - ONE PIECE	15.80
2921770006	5	2	SET - 3" UNION COMPLETE - (STANDARD -VI)	29.90
2500300918	5.1	1	3" UNION PACKAGE CPL - SUCTION & DISCHARGE (STANDARD -VI)	59.60
2921770005	6	2	SET - 2" PVC UNION COMPLETE - (STANDARD -V)	12.90
2500300926	6.1	1	2" PVC UNION PACKAGE CPL - SUCTION & DISCHARGE (STANDARD -V)	26.00
2901158200	7	1	DRAIN CAP 3/8" WITH GASKET - CASING	2.50
2901410101	8	1	CASING (PPGF30) - LIGHT GRAY	154.10
2920141210	9	1	O-RING - DIFFUSER 90 x 5mm	3.10
2921317420	10	1	DIFFUSER (-V, -VI) 2.4 THP, 3.45 THP	45.40
2901417422	10.1	1	DIFFUSER (-V) 2.7 THP	30.00
2901423017	11	1	IMPELLER (-V) 2.7 THP 118/10.0mm	55.40
2920523030	11.1	1	IMPELLER (-V) 2.4 THP 116/16.0mm	46.80
2921700002	11.2	1	IMPELLER (-VI) 3.45 THP 118.5/21.0mm	46.80
2901450700	NOT SHOWN	1	FLOATING EYE SEAL - WEAR RING (-V) 2.7 THP	6.80
2901441220	12	1	O-RING - CASING 225 x 6mm	14.20
2920343310	13	1	MECHANICAL SEAL (20mm) COMPLETE	51.90
2901416101A	14	1	SEAL HOUSING (-V, -VI) 2.4 THP, 3.45 THP 49mm	40.00
2901416100	14.1	1	SEAL HOUSING (-V) 2.7 THP 39mm	25.70
2991000096	15	4	BOLT - MOTOR, HEX (3/8 - 16 x 1-1/2") SS	2.60
2991400035	15	4	WASHER - MOTOR BOLT (3/8") SS	0.50
2901411301	16	1	FLANGE	50.20
2920889410	17	2	LEGO SPACER	0.40
2991000091	18	10	SCREW - CASING HEX/SLOT M7 x 48mm SS	3.90
M63PWBMG145	20	1	MOTOR - 2.4 THP	1,270.50
M48AA69D29	20.1	1	MOTOR - 2.7 THP	1,463.50
M48AA91D29	20.2	1	MOTOR - 2.7 THP WITH SVRS	1,746.40
M63PWBME143	20.3	1	MOTOR - 3.45 THP	1,355.00

Optional Parts

2921770006	5	2	SET - 3" UNION COMPLETE	29.90
2500300918	5	1	3" UNION PACKAGE CPL - SUCTION & DISCHARGE	59.60
5881778987	NOT SHOWN	1	INTERFACE ADAPTOR (for 3rd party controllers)	104.00
2991000130	NOT SHOWN	1	SOCKET WRENCH W/ EXT F/HEX/SLOT M7 x 48mm	90.40

Parts Below Are Unique To The BADU EcoMV Shipped Prior To January, 2015

2901116020	1.1	1	LOCK RING - LID	19.60
2921157700	19	1	SPANNER - LID (OPTIONAL PART)	12.80

Go Kits For The Model BADU EcoMV

SPK-72-GOKIT	1	KIT INCLUDES THE FOLLOWING PARTS:		76.10
			2921141210 - O-RING LID 137 x 5mm	
			2920141210 - O-RING DIFFUSER 90 x 5mm	
			2920343310 - MECHANICAL SEAL (20mm) CPL	
			2901441220 - O-RING CASING 225 x 6mm	
			2901141211 - O-RING UNION 68 x 3.5mm	