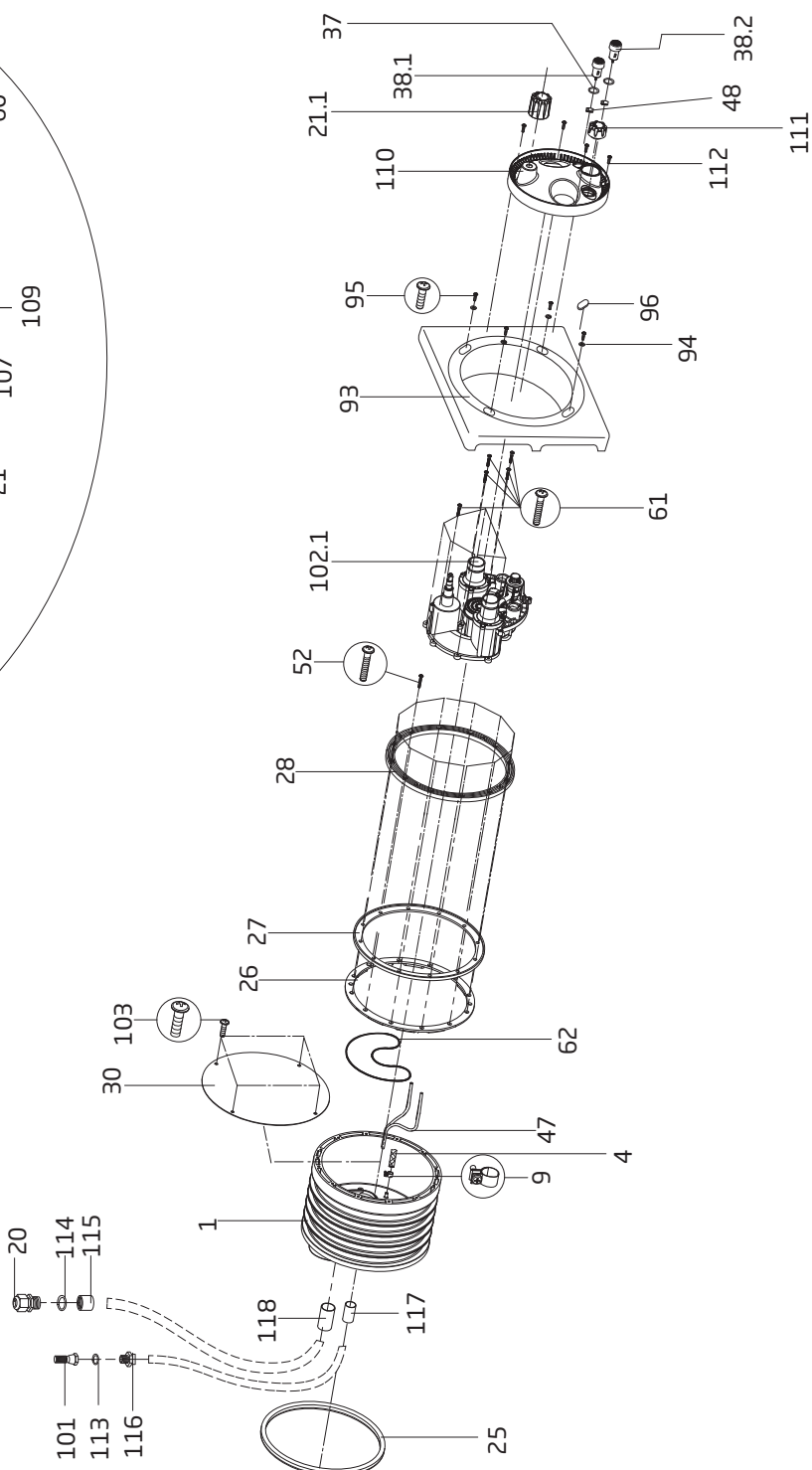
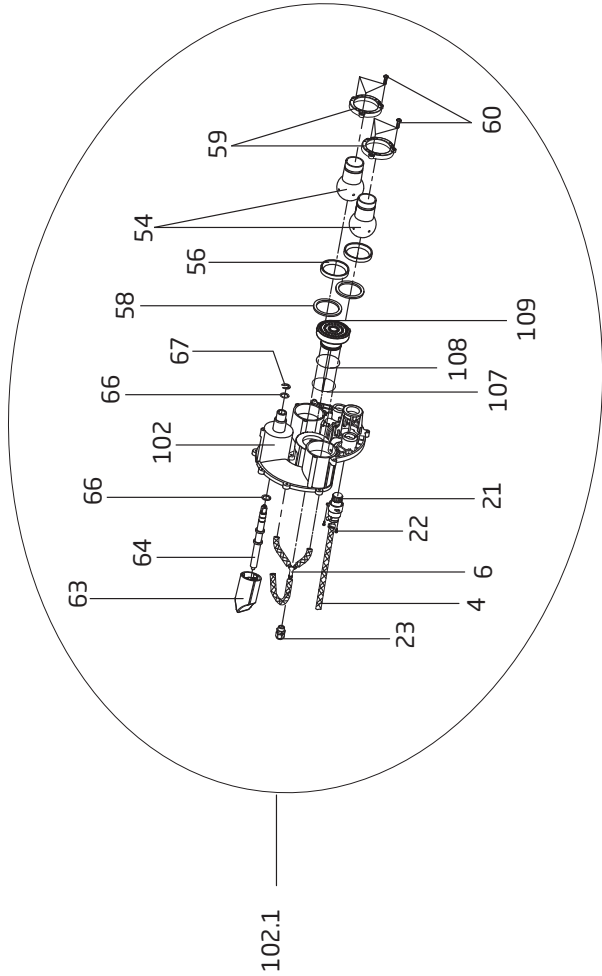


BADU[®] JET super-sport //

SwimJet System



SwimJet System

Order #	Drawing Number	Qty Required	Description	List Price
2326000002A	1	1	JET HOUSING	\$ 498.90
2301001007	4	3 FT	HOSE - AIR REGULATOR 8 x 3mm (PRICE PER FOOT)	7.70
2326000408	6	1	HOSE (3X) WITH Y- HOSE BARB	8.20
2301001008	9	2	CLAMP - HOSE, AIR REGULATOR 14/9 SS A4	5.20
2326000031	20	1	STRAIN RELIEF - LIGHT CABLE, 3/4" NPT	20.70
2321000409	21	1	AIR REGULATOR COMPLETE	45.40
2326000006	21.1	1	VOLUME CONTROL KNOB	21.80
5879812996	22	3	SCREW - AIR REGULATOR, 2.9 x 9.5	2.10
5882501619	23	1	STRAIN RELIEF - LIGHT CABLE, M16 x 1.5	17.30
2326000020	25	1	ROUND SEALING CORD	6.30
2301000026	26	1	GASKET WITH KNOBS - JET HOUSING	100.60
2326000021	27	1	GASKET - CLAMPING RING	92.00
2301000028	28	1	RING - CLAMPING	109.70
2301000030	30	1	GUNITE COVER	58.60
5805510880	31	4	STUD - GUNITE COVER M8 x 80mm	3.70
5809021080	32	4	WASHER - GUNITE COVER M8	0.40
5879340800	33	4	NUT - STUD - GUNITE COVER M8 A2	0.90
2326000014	37	2	O-RING PNEUMATIC BUTTONS 24 x 3mm	0.40
2321000401	38.1	1	PNEUMATIC BUTTON COMPLETE - PUMP	18.90
2321000404	38.2	1	PNEUMATIC BUTTON COMPLETE - LIGHTS	18.90
2300202060	47	2	AIR TUBING - LIGHT/PUMP 4 x 1.5mm (PRICE PER 10M)	29.70
2302001046	48	2	CLAMP - HOSE, PNEUMATIC BUTTON 6.8 - 8mm	7.70
5879860830	52	12	SCREW - CLAMPING RING, POZIDRIV/PAN M8 x 30mm A4	3.90
2302002954	54	2	NOZZLE - 40mm	93.40
2302002056	56	2	SEAT - NOZZLE	7.30
2302002057	58	2	SPACER - NOZZLE 6.2mm	6.20
2319800817	59	2	NOZZLE FLANGE	11.20
5879006023	60	6	TAPPING SCREW - BALL NOZZLE FLANGE, 6 x 22mm A4	2.30
5879006023	61	10	TAPPING SCREW - NOZZLE HOUSING, 6 x 22mm A4	2.30
2326000013	62	1	O-RING - NOZZLE HOUSING 257 x 3mm	6.80
2326000004	63	1	VOLUME CONTROL CYLINDER	21.60
2302002964	64	1	VOLUME CONTROL SPINDLE (COMPLETE)	39.00
2302002065	66	2	WASHER - VOLUME CONTROL SPINDLE, 23 x 16.2 x 1.5mm	2.30
2302002067	67	1	RETAINER - SHAFT, VOLUME CONTROL SPINDLE	1.80
2302005236	93	1	COVER - RECTANGULAR	98.00
5871250800	94	4	WASHER - RECTANGULAR COVER 8.4mm A4	0.50
5879860820	95	4	BOLT - RECTANGULAR COVER, PHILLIPS M8 x 20mm	3.00
5879860880	95.1	4	BOLT - RECTANGULAR COVER, PHILLIPS M8 x 80mm	5.40
2302005237	96	4	PLUG - RECTANGULAR COVER	2.80
5030000105	101	1	VALVE - CHECK 1/2"	38.50
2326000003	102	1	HOUSING - NOZZLE	68.50
2326000401	102.1	1	HOUSING - NOZZLE COMPLETE	328.10
3932541201	107	1	O-RING - LIGHT 48 x 2mm	1.30
2607101019	108	1	O-RING - LIGHT 49 x 3.5mm	0.90
2326000037	109	1	LIGHT LED 12V AC - WHITE, 10M	145.30
2326000035	110	1	LIGHT COVER	47.50
2321000022	111	1	AIR REGULATOR KNOB	7.10
5879006023	112	4	TAPPING SCREW - LIGHT COVER, 6 x 22mm A4	2.30
2920141230	113	1	O-RING - CHECK VALVE, 19 X 3mm	0.40
2326000032	114	1	O-RING - STRAIN RELIEF	1.50
2326000034	115	1	ADAPTOR - STRAIN RELIEF, FEMALE, PVC 3/4"	1.50
2301001030	116	1	ADAPTOR - CHECK VALVE, MALE, PVC 1/2"	0.70
5862432021	117	1	CONNECTOR - AIR REGULATION LINE M20 x 1/2"	18.90
5862432531	118	1	CONNECTOR - CONDUIT M25 x 3/4"	20.00

SwimJet System

Order #	Drawing Number	Qty Required	Description	List Price
2920280729	NOT SHOWN	1	CONTROL BOX BJC-7-GFCI+CP SSII	\$1,264.00
Optional Parts				
2326000036	109.1	1	LIGHT LED 12V AC - MULTICOLOR, 10M	186.10
2326000038	109.2	1	LIGHT LED 12V AC - BLUE, 10M	186.10
2326000010K	NOT SHOWN	1	WINTER COVER KIT	220.40
2300003010	NOT SHOWN	1	MASSAGE HOSE 5 FT. WITH PULSATOR & HAND GRIP	181.60
2300003310	NOT SHOWN	1	MASSAGE HOSE 15 FT. WITH PULSATOR & HAND GRIP	286.80
2300022010	NOT SHOWN	1	CAP - NOZZLE & HAND GRIP, CLOSE OFF	68.60