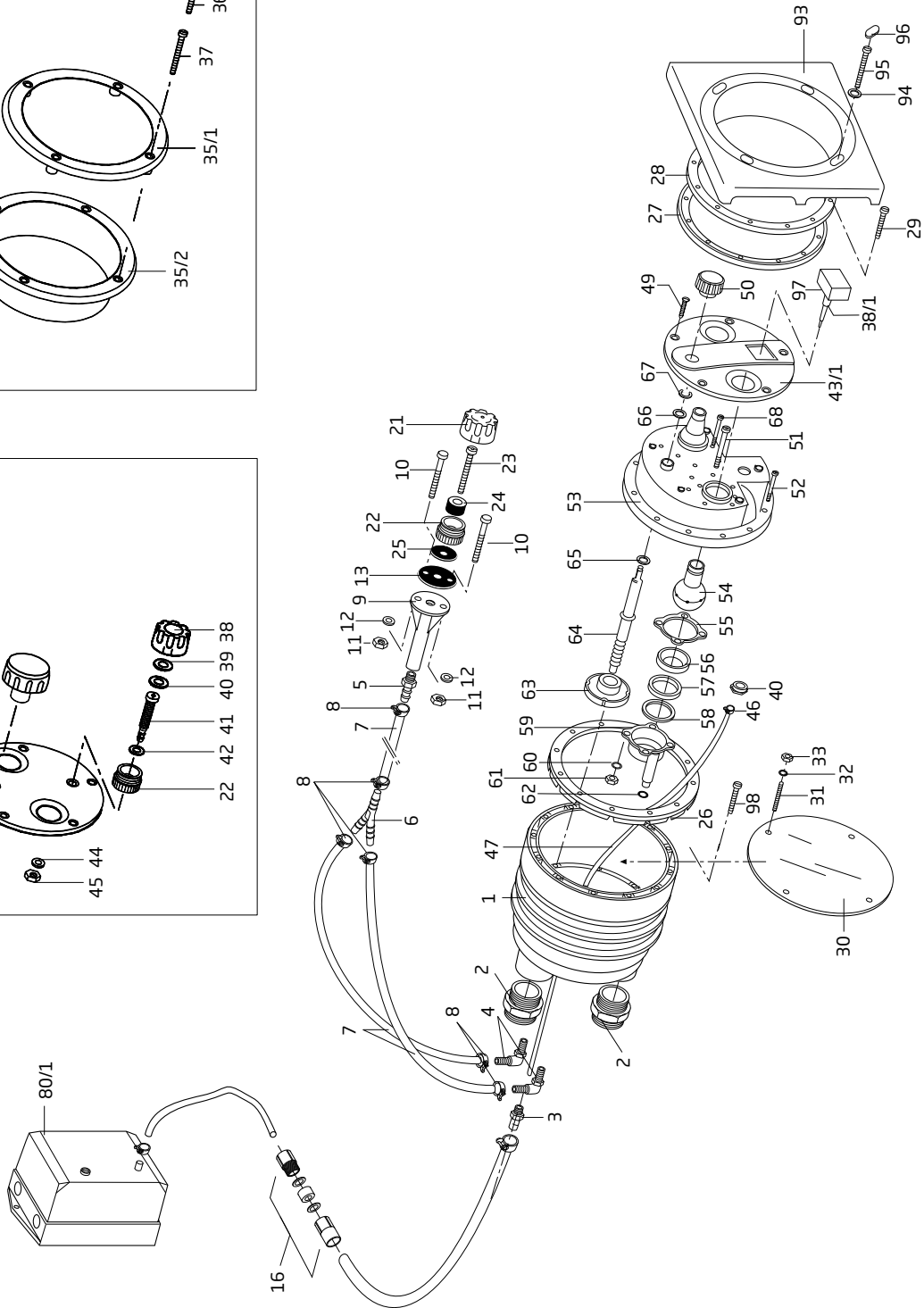
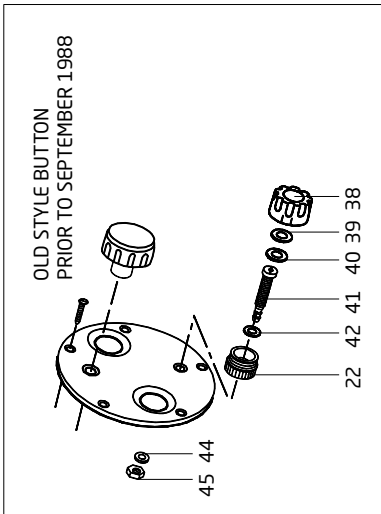
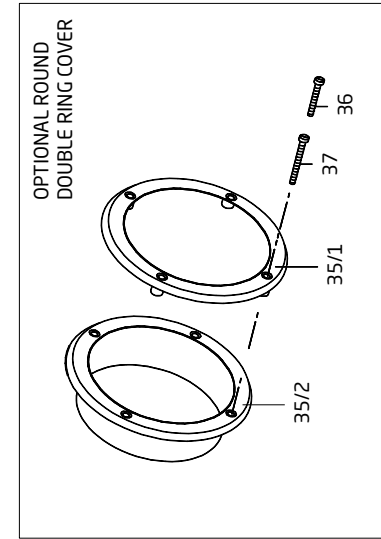


## SwimJet System



## SwimJet System

Order #	Drawing Number	Qty Required	Description	List Price
2301003000	(1-4)	1	JET HOUSING WITH ADAPTORS	\$1,455.00
5862811080	2	2	ADAPTOR - MALE, HOUSING, PVC 2-1/2" x 110mm/4"	49.80
5862711000	NOT SHOWN	2	COUPLING - HOUSING, PVC 110mm/4"	49.80
2991400044	3	2	ADAPTOR - MALE, HOUSING, PVC 1/2"	1.10
2991400045	3	1	ADAPTOR - FEMALE, HOUSING, PVC 1/2"	1.60
2301001004	4	2	90° HOSE SOCKET - AIR REGULATOR, PLASTIC 1/4"	5.30
2301004000	(5-13)	1	HOLDER WITH HOSE SUBASSEMBLY	84.10
2301001005	5	1	FITTING - HOSE, AIR REGULATOR, PLASTIC 1/4"	4.90
2301001006	6	1	Y-SOCKET - AIR REGULATOR	5.50
2301001007	7	1	HOSE - AIR REGULATOR 8 x 3mm (1.4 METERS)	7.70
2301001008	8	6	CLAMP - HOSE, AIR REGULATOR 14/9 SS A4	5.20
2301001009	9	1	HOLDER - AIR REGULATOR	29.20
5879630630	10	2	SCREW - AIR HOLDER, SLOT/FLAT M6 x 30mm SS	3.00
5879340600	11	2	NUT - AIR HOLDER, M6, A2	0.70
5879021060	12	2	WASHER - AIR HOLDER, M6 A4	0.40
2301001013	13	1	GASKET - AIR HOLDER 60 x 11 x 2mm	1.80
5882831000	16	1	AIR TUBING SEAL ASSEMBLY	5.30
2301002000	(21-25)	1	AIR REGULATOR (SUBASSEMBLY COMPLETE) - WHITE	55.20
2301002000B	(21.1-25)	1	AIR REGULATOR (SUBASSEMBLY COMPLETE) - BLACK	55.20
2301002021	21	1	TOP PART - AIR REGULATOR - WHITE	14.80
2301002029	21.1	1	TOP PART - AIR REGULATOR - BLACK	14.80
2301002022	22	1	BOTTOM PART - AIR REGULATOR - WHITE	10.60
2301002028	22.1	1	BOTTOM PART - AIR REGULATOR - BLACK	10.60
2301002023	23	1	BOLT w/HOLE - AIR REGULATOR, BRASS M10 x 80	22.50
2301002024	24	1	RING - HOSE, AIR REGULATOR 16 x 30 x 18mm	4.40
2301002025	25	1	GASKET - AIR REGULATOR 42 x 11 x 2mm	3.40
2301000026	26	1	GASKET WITH KNOBS - JET HOUSING	100.60
2301000027	27	1	GASKET - CLAMPING RING	98.20
2301000028	28	1	RING - CLAMPING	109.70
5879860830	29	12	BOLT - CLAMPING RING, POZIDRIV/PAN M8 x 30 A4	3.90
2301000030	30	1	COVER - GUNITE	58.60
5805510880	31	4	STUD - GUNITE COVER, ALL THREAD, ZINC M8 x 80	3.70
5809021080	32	4	WASHER - GUNITE COVER, ZINC M8	0.40
5879340800	33	4	NUT - STUD, GUNITE COVER M8 A2	0.90
2302001900K	38/1	1	PNEUMATIC BUTTON (WHITE)	113.90
2302001140	40	1	NUT - PNEUMATIC BUTTON, PLASTIC	3.40
2302001044	43/1	1	COVER - NOZZLE	37.10
2302001046	46	1	CLAMP - HOSE, PNEUMATIC BUTTON 8.7mm	7.70
2300202061	47	1 Roll	AIR TUBE 4 x 1.5mm (PRICED PER ROLL)	26.00
5879834822	49	5	TAPPING SCREW - NOZZLE COVER, PHIL. 4.8 x 22m	0.60
2302002050	50	1	VOLUME CONTROL KNOB	24.20
5870840893	51	10	BOLT - NOZZLE HOUSING, SLOT/BAR M8 x 130 A2	19.60
5879860830	52	12	BOLT - NOZZLE HOUSING, PH/BAR M8 x 30 A4	3.90
2302002000	(53-62/68)	1	HOUSING - NOZZLE, COMPLETE	519.20
2302002053	53	1	HOUSING - NOZZLE	540.10
2302002954	54	2	NOZZLE - 40mm	93.40
2302002060	55	2	IT GASKET - TENSION CUP 103 x 81.5 x .6mm	8.00
2302002056	56	2	SEAT - NOZZLE	7.30
2302002057	57	2	SPACER - NOZZLE 6.2mm	6.20
2302002158	58	2	SPACER - NOZZLE 1.5mm	1.80
2302002059	59	2	TENSION CUP - NOZZLE	47.50
5871270600	60	8	WASHER - LOCK TENSION CUP M6 A2	0.40
5879340600	61	8	NUT-TENSION CUP M6 A2	0.70
2920141240	62	2	O-RING - TENSION CUP 11 x 2.5mm	1.10
2302002063	63	1	VOLUME CONTROL DISC	40.20
2302002964	64	1	CONTROL SPINDLE	39.00
2302002065	65	2	WASHER - CONTROL SPINDLE, 23 x 16.2 x 1.5mm	2.30

## SwimJet System

Order #	Drawing Number	Qty Required	Description	List Price
2302002067	67	1	RETAINER - SHAFT, CONTROL SPINDLE	\$ 1.80
5870840625	68	8	BOLT - TENSION CUP, PHILLIPS M6 x 25 A2	1.70
2920280728	80/1	1	CONTROL BOX BJC-7-GFCI+CP	1,164.00
2302005236	93	1	COVER - RECTANGULAR	98.00
5871250800	94	4	WASHER - RECTANGULAR COVER 8.4mm A4	0.50
5879860820	95	4	BOLT - RECTANGULAR COVER, PHILLIPS M8 x 20mm	3.00
5879860880	95.1	4	BOLT - RECTANGULAR COVER, PHILLIPS M8 x 80mm	5.40
2302005237	96	4	PLUG - RECTANGULAR COVER	2.80
2302001301	97	1	COVER - BUTTON	20.00
5879860830	98	2	BOLT - JET HOUSING, POZIDRIV/PAN M8 x 30 A4	3.90
2302005000	(93-96)	1	KIT - RECTANGULAR COVER	144.90
2300022010	NOT SHOWN	1	CAP - NOZZLE & HAND GRIP, CLOSE OFF	68.60
2300003010	NOT SHOWN	1	MASSAGE HOSE 5 FT. WITH PULSATOR & HAND GRIP	181.60
2300003310	NOT SHOWN	1	MASSAGE HOSE 15 FT. WITH PULSATOR & HAND GRIP	286.80

### Optional Round Style, Double Ring, Anti-entrapment Cover For Curved Pool Walls

2302005135	35/1	1	ROUND COVER WITH SPACERS	181.20
2302005235	35/2	1	ROUND RING COVER	126.70
5879650845	36	4	BOLT - ROUND COVER, PHILLIPS M8 x 45mm	11.10
5879658100	37	4	BOLT - ROUND COVER, PHILLIPS M8 x 100mm	24.40
2302005002	35/1, 35/2, 36, 37	1	KIT - ROUND RING COVER	258.70

### Parts Listed Below Are Unique To The Badujet Shipped Prior To October, 1994

2302001800K	NOT SHOWN	1	PNEUMATIC BUTTON (BLACK)	103.00
2302001043	43	1	COVER - NOZZLE	74.70
2302002964	64.1	1	CONTROL SPINDLE	39.00
5879724816	49.1	5	TAPPING SCREW - NOZZLE COVER 4.8 x 16 A2	0.60

### Parts Listed Below Are Unique To The Badujet Shipped Prior To The September, 1988

2301002200	38	1	TOP - PNEUMATIC BUTTON	13.20
2301002022	22	1	BOTTOM - PNEUMATIC BUTTON	10.60
2302001040	40	1	MEMBRANE-E - PNEUMATIC BUTTON	22.00
2302001039	39	1	RING-E - PNEUMATIC BUTTON	1.60
2302001041	41	1	BOLT W/HOLE - PNEUMATIC BUTTON, BRASS M10	20.30