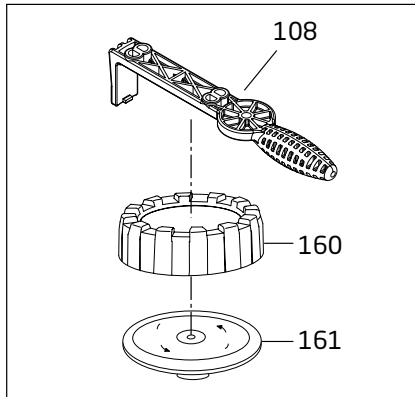
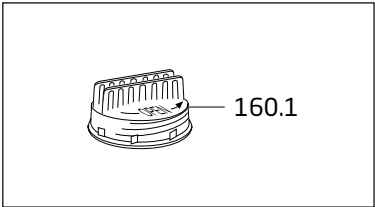
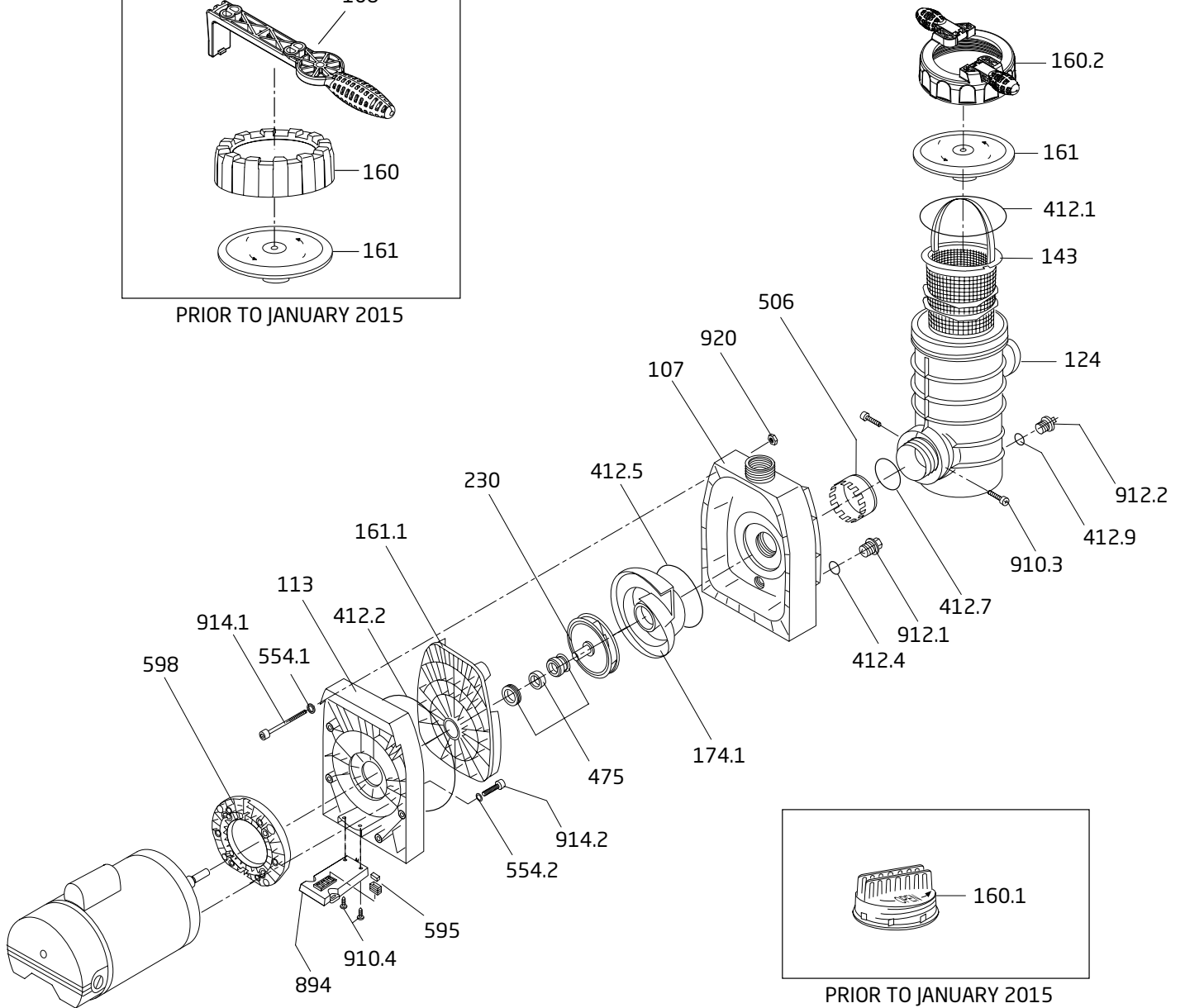


MODEL 433

Swimming Pool Pump



PRIOR TO JANUARY 2015



PRIOR TO JANUARY 2015

MODEL 433



Swimming Pool Pump

Order #	Drawing Number	Qty Required	Description	List Price
5829340800	920	8	NUT - CASING BOLT, BRASS M8	\$ 3.10
2991000067	914.2	4	BOLT - MOTOR HEX (3/8-16 x 2") SS	3.90
2920391500	914.1	8	BOLT - CASING BOLT, PHILLIPS M8 x 120mm SS	11.70
2920791211	912.1	1	PLUG - CASING DRAIN (3/4")	3.60
2923591201	912.2	1	PLUG - STRAINER TANK DRAIN (1/4")	0.90
2920891030	910.4	2	TAPPING SCREW - BASE, PHILLIPS 6.3 x 16mm	1.70
2920791031	910.3	2	TAPPING SCREW - STRAINER TANK, PHILLIPS # 8 x 1/2"	0.40
2920889403	894	1	BASE	7.60
2920110200	598	1	MOTOR FLANGE - 56 FRAME	13.90
2920889410	595	0-2	LEGO SPACER (QTY DEPENDS ON MOTOR MAKE)	0.40
2991400035	554.2	4	WASHER - MOTOR BOLT (3/8") SS	0.50
5871250800	554.1	8	WASHER - CASING BOLT M8 SS	0.50
2920750600	506	1	LOCK RING (TANK)	7.40
2920343310	475	1	MECHANICAL SEAL (20mm) COMPLETE	51.90
2920141240	412.9	1	O-RING - STRAINER TANK DRAIN PLUG 11 x 2.5mm	1.10
2920741271	412.7	1	O-RING - STRAINER TANK 57 x 4.5mm	2.90
2920141210	412.5	1	O-RING - DIFFUSER 90 x 5mm	3.10
2923241231	412.4	1	O-RING - CASING DRAIN PLUG (3/4") 24 x 3.5mm	0.70
2920341220	412.2	1	O-RING - CASING 215 x 6mm	8.10
2921141210	412.1	1	O-RING - LID 137 x 5mm	4.80
2920823000	230	1	IMPELLER (-I) 0.75 HP S.F. 1.0 102 / 3.5mm	76.60
2920825010	230.1	1	IMPELLER (-II) 1.0 HP S.F. 1.0 114 / 3.5mm	76.60
2920825000	230.2	1	IMPELLER (-III) 1.5 HP S.F. 1.0 122-130 / 3.5mm	76.60
2920826000	230.3	1	IMPELLER (-IV) 2.0 HP S.F. 1.0 122 / 6mm	76.60
2920827000	230.4	1	IMPELLER (-V) 2.5 HP S.F. 1.0 128 / 7mm	76.60
2920829000	230.5	1	IMPELLER (-VI) 3.0 HP S.F. 1.15 130 / 11mm	76.60
2920817403	174.1	1	DIFFUSER	25.20
2920816103	161.1	1	SEAL HOUSING	36.90
2901116010	161	1	LID - CLEAR	18.20
2921116012	NOT SHOWN	1	LID - CLEAR WITH LED LIGHT	41.20
2921116022	160.2	1	LOCK RING WITH HANDLES - LID	33.40
2920814300	143	1	BASKET - COMPLETE	15.10
2920812430	124	1	STRAINER TANK (1.5") PP/GLASS (09/1994)	DISCONTINUED
2920812431	124.1	1	STRAINER TANK (2.0") PP/GLASS	123.60
2920311300	113	1	FLANGE	59.70
2920810103	107	1	CASING (1.5" x 2.0") PP/GLASS (09/1994)	DISCONTINUED
2920810105	107.1	1	CASING (2.0" x 2.0") PP/GLASS	144.10

Parts Below Are Unique To The Model 433 Shipped Prior To August, 1988

2920716000	160	1	LID - EXTERNAL THREAD	DISCONTINUED
2920741210	412.1	1	O-RING - LID 146 X 7mm	8.40
2920314300	143	1	BASKET - COMPLETE	9.50
2920312431	124	1	STRAINER TANK	DISCONTINUED

Parts Below Are For Extra Large Strainer Tank

2920750600	506	1	LOCK RING	7.40
2920941210	412.3	1	O-RING - LID 185 x 6mm	15.60
2920916003	NOT SHOWN	1	LID COMPLETE (LID BOLT 8mm)	190.50
2920914300	143.2	1	BASKET XL - COMPLETE	51.50
2920912400	124.2	1	STRAINER TANK XL	162.00
2920791211	912.1	1	PLUG - STRAINER TANK DRAIN (3/4")	3.60
2923241231	412.4	1	O-RING - STRAINER TANK DRAIN PLUG 24 x 3.5mm	0.70


Parts Below Are Unique To The Model 433 Shipped Prior To January, 2015

2920816000	160.1	1	LID - ONE PIECE	54.30
2901116020	160	1	LOCK RING - LID	19.60
2921157700	108	1	SPANNER (OPTIONAL PART)	12.80

MODEL 433



Swimming Pool Pump

Order #	Drawing Number	Qty Required	Description	List Price
Go Kits For The Model 433				
SPK-433-GOKIT			KIT INCLUDES THE FOLLOWING PARTS:	\$ 72.90
			2920141240 - O-RING STRAINER TANK DRAIN PLUG 11 x 2.5mm	
			2920741271 - O-RING STRAINER TANK 57 x 4.5mm	
			2921141210 - O-RING LID 137 x 5mm	
			2920141210 - O-RING DIFFUSER 90 x 5mm	
			2920343310 - MECHANICAL SEAL (20mm) CPL	
			2923241231 - O-RING CASING DRAIN PLUG (3/4") 24 x 3.5mm	
			2920341220 - O-RING CASING 215 x 6mm	