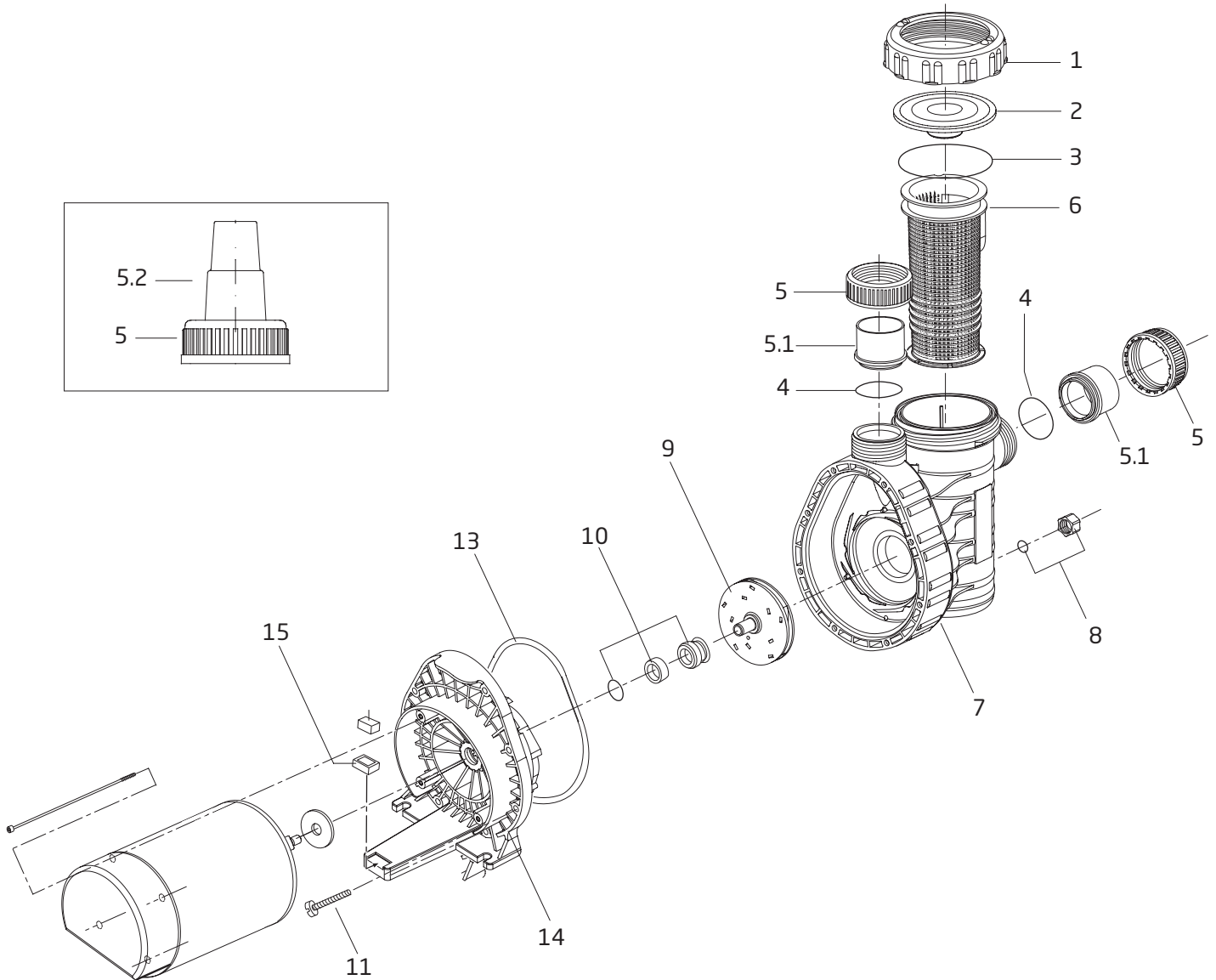


# MODEL A91

Self-Priming Swimming Pool Pump

**SPECK** X



# MODEL A91



## Self-Priming Swimming Pool Pump

Order #	Drawing Number	Qty Required	Description	List Price
2901316020	1	1	LOCK RING - LID	\$ 8.90
2901316010	2	1	LID - CLEAR	11.40
2901341220	3	1	O-RING - LID 105 x 5mm	3.40
2500300912	4, 5, 5.1 & 5.2	1	COMPLETE UNION PACKAGE - SUCTION/DISCHARGE - SLIP/HOSE	23.70
2500300915	4, 5, & 5.2	1	COMPLETE UNION PACKAGE - SUCTION/DISCHARGE - HOSE	14.60
2500300916	4, 5, & 5.1	1	COMPLETE UNION PACKAGE - SUCTION/DISCHARGE - SLIP	14.60
2500300913	4, 5, & 5.1	1	COMPLETE UNION PACKAGE - SUCTION/DISCHARGE - NPT	14.60
2500300909	4, 5, & 5.1	2	HALF UNION SET - NPT (INCLUDES NUT, THREADED UNION END & O-RING)	7.40
2500300910	4, 5, & 5.1	2	HALF UNION SET - SLIP (INCLUDES NUT, UNION END & O-RING)	7.40
2500300911	4, 5, & 5.2	2	HALF UNION SET - HOSE (INCLUDES NUT, HOSE ADAPTOR & O-RING)	7.40
2901314300	6	1	BASKET - ONE PIECE	9.90
2901310101	7	1	CASING	47.10
2901158200	8	1	DRAIN CAP 3/8" WITH GASKET - CASING	2.50
2921623131	9	1	IMPELLER (A91R) 0.5 THP (0.75 HP SPL) 92-100 / 4.5mm	19.60
2921623031	9.1	1	IMPELLER 0.5 THP (0.75 HP SPL) 100 / 4.5mm	19.60
2921623032	9.2	1	IMPELLER (-I) 0.75 THP (1.0 HP SPL) 100 / 6.5mm	20.20
2921623033	9.3	1	IMPELLER (-II) 1.0 THP (1.5 HP SPL) 100 / 9mm	20.20
2921606204	10	1	MECHANICAL SEAL (5/8") - CARBON/CERAMIC	13.60
2991000091	11	8	SCREW - CASING, HEX/WASHER/SLOT M7 x 48mm	3.90
2921641223	13	1	O-RING - CASING 165 x 6mm	7.30
2901316101	14	1	FLANGE/SEAL HOUSING	37.50
2920889410	15	1	LEGO (FOOT)	0.40

### Go Kits For The Model A91

SPK-A91-GOKIT	1	KIT INCLUDES THE FOLLOWING PARTS:	28.50
		2901341220 - O-RING LID 105 x 5mm	
		2921606204 - MECHANICAL SEAL (5/8") - CARBON/CERAMIC	
		2921641223 - O-RING CASING 165 x 6mm	
		2920241220 - O-RING UNION 50 x 3mm	



### REPLACEMENT MOTORS

Order #	MFR #	Model	THP	Specially Rated		Volts	List Price
				HP	S.F.		
<b>SINGLE SPEED, 48 FRAME, SPLITPHASE MOTOR (WITHOUT BASE)</b>							
S55NXPTT8267	S55NXPTT-8267	-I	0.75	1.0	SPL	115	\$ 237.60
S55CXPTU8268	S55CXPTU-8268	-II	1.0	1.5	SPL	115	223.10
<b>TWO SPEED, 48 FRAME, SPLITPHASE MOTOR (WITHOUT BASE)</b>							
S48AC08D29	S48AC08D29	-I	0.75	1.0	SPL	115	291.20
C48AB35D29	C48AB35D29	-II	1.0	1.5	SPL	115	307.00
<b>SINGLE SPEED, 48 FRAME, PSC MOTOR, "ENERGY EFFICIENT" (WITHOUT BASE)</b>							
87520TAA11U	87520TA-A11U		0.50	0.75	SPL	115	186.20
8752PTAA13U	8752PTA-A13U	-I	0.75	1.0	SPL	115	194.90
8752QTAA12U	8752QTA-A12U	-II	1.0	1.5	SPL	115	218.20
K055RMD2237	K55JXRMD-2237	-I	0.75			230/115	328.00
K055RME2238	K55JXRME-2238	-II	1.0			230/115	341.00

All motors have a 3/8" thread stainless steel shaft