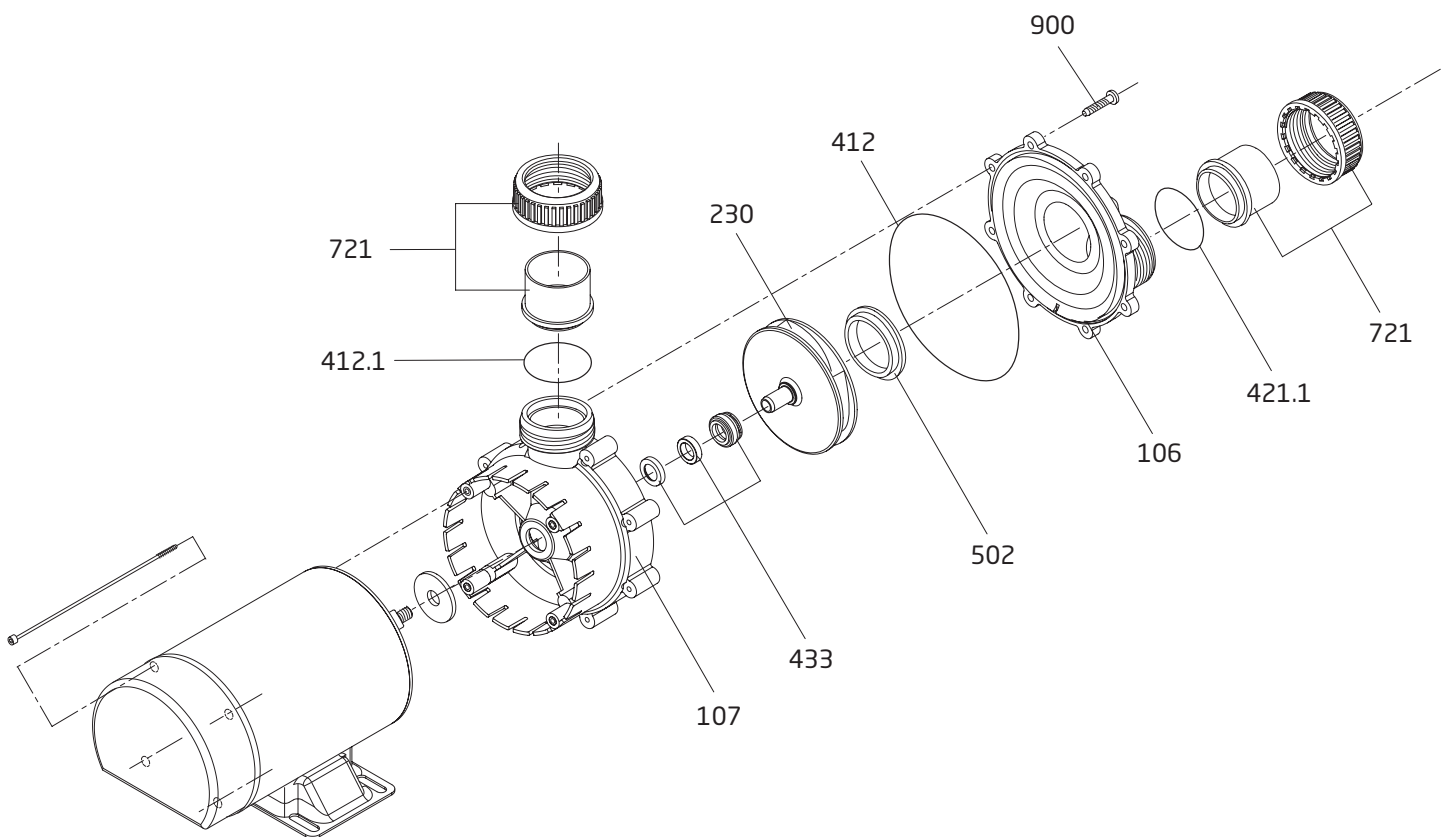


MODEL E45

Jetted Bathtub Pump

SPECK X



MODEL E45



Jetted Bathtub Pump

Order #	Drawing Number	Qty Required	Description	List Price
2901141200	412	1	O-RING, CASING LID 144 x 4mm	\$ 3.00
2921606204	433	1	MECHANICAL SEAL (5/8") - CARBON/CERAMIC	13.60
2920710751	107	1	CASING	56.60
2920750200	502	1	FLOATING EYE SEAL (WEAR RING)	7.30
2920710600	106	1	CASING LID	40.20
2920241220	421.1	2	O-RING, 50 x 3mm	2.50
2500310001	721	2	NUT - UNION (SAWTOOTH)	3.90
2921672130	721.1	2	UNION END 48.5mm - (1-1.5") SLIP	4.90
5879006035	900	8	SELF TAPPING SCREW 6 x 35mm PH SS	2.90
2921923091	230	1	IMPELLER (-I) 0.75 THP (1.0 HP SPL) 99 / 4.5mm	48.90
2921923042	230.1	1	IMPELLER (-II) 1.0 THP (1.5 HP SPL) 98 / 9mm	48.90
2921923093	230.2	1	IMPELLER (-III) 1.5 THP (2.0 HP SPL) 106 / 9mm	48.90
2500300916	NOT SHOWN	1	UNION PACKAGE COMPLETE 1.5"	14.60
2500300910	NOT SHOWN	2	UNION HALF PACKAGE 1.5"	7.40

REPLACEMENT MOTORS

Order #	MFR #	Model	THP	Specially Rated		Volts	List Price
				HP	S.F.		
<i>SINGLE SPEED, 48 FRAME, SPLITPHASE MOTOR</i>							
0818688300	EZBN24	-I	0.75	1.0	SPL	115	\$ 198.60
0818688400	EZBN25	-II	1.0	1.5	SPL	115	223.10
0818688600	(EZ)BN35SS	-III	1.5	2.0	SPL	230	346.00
<i>TWO SPEED, FLEX-48, 48 FRAME, CAP START MOTOR</i>							
0815996300	BN36	-I	0.75	1.0	SPL	115	329.20
0817778200	BN37	-II	1.0	1.5	SPL	115	339.30
0817780300	BN50	-III	1.5	2.0	SPL	115	322.20
<i>SINGLE SPEED, 48 FRAME, PSC MOTOR, "ENERGY EFFICIENT"</i>							
8752PTAA14U	8752PTA-A14U	-I	0.75	1.0	SPL	115	221.30
8752QTAA13U	8752QTA-A13U	-II	1.0	1.5	SPL	115	242.20

All motors have a 3/8" thread stainless steel shaft