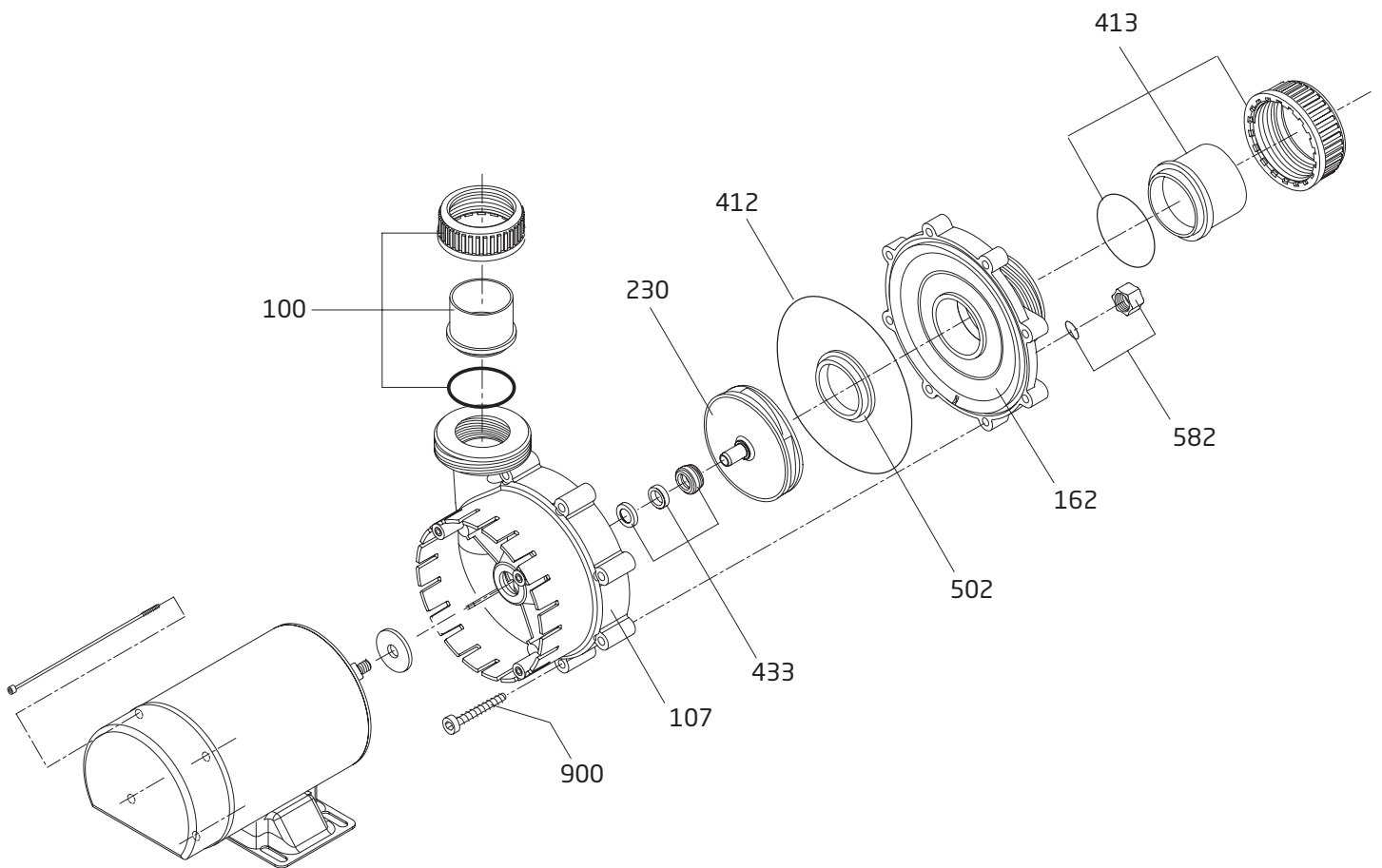


MODEL E75

Spa Pump



MODEL E75



Spa Pump

Order #	Drawing Number	Qty Required	Description	List Price
2901210700	107	1	CASING	\$ 18.50
2920750200	502	1	FLOATING EYE SEAL (WEAR RING)	7.30
2921770001	413	1	UNION WITH NUT AND O-RING (2.0") - SUCTION (-II, -III, -IV)	12.90
2921770003	413.1	1	UNION WITH NUT AND O-RING (1.5") - SUCTION (-I)	12.90
2991000091	900	8	SCREW - M7 x 48.4mm (3/8") HEX A2	3.90
2921606204	433	1	MECHANICAL SEAL (5/8") - CARBON/CERAMIC	13.60
7300313000	100	1	UNION WITH NUT AND O-RING (2.0") - DISCHARGE (-II, -III, -IV)	14.80
7300313001	100.1	1	UNION WITH NUT AND O-RING (1.5") - DISCHARGE (-I)	14.30
2901141200	412	1	O-RING - CASING 144 x 4mm	3.00
2901158200	582	1	DRAIN CAP 3/8" WITH GASKET - CASING	2.50
2901216108	162	1	CASING LID	13.20
2921923091	230	1	IMPELLER (-I) 0.75 THP (1.0 HP SPL) 99 / 4.5mm (3/8") 6V	48.90
2921923192	230.1	1	IMPELLER (-II) 1.0 THP (1.5 HP SPL) 98 / 9mm (3/8") 6V W/ INS	48.90
2921923193	230.2	1	IMPELLER (-III) 1.5 THP (2.0 HP SPL) 106 / 9mm (3/8") 6V W/ INS	48.90
2921923094	230.3	1	IMPELLER (-IV) 2.0 THP (2.5 HP SPL) 111 / 9mm (3/8") 6V W/ INS	63.50
2500300917	100.1 & 413.1	1	UNION PACKAGE 1.5" COMPLETE	27.20
2500300920	100 & 413	1	UNION PACKAGE 2.0" COMPLETE	27.70

REPLACEMENT MOTORS

Order #	MFR #	Model	THP	Specially Rated HP	S.F.	Volts	List Price
<u>SINGLE SPEED, 48 FRAME, SPLITPHASE MOTOR</u>							
0818688300	(EZ)BN24	-I	0.75	1.0	SPL	115	\$ 198.60
0818688400	(EZ)BN25	-II	1.0	1.5	SPL	115	223.10
0818688600	(EZ)BN35SS	-III	1.5	2.0	SPL	115/230	346.00
0818688500	(EZ)BV35SS	-III	1.5	2.0	SPL	115	331.70
0818688700	BN40SS	-IV	2.0	2.5	SPL	115/230	422.80
<u>TWO SPEED, FLEX-48, 48 FRAME, CAP START MOTOR</u>							
0815996300	BN36	-I	0.75	1.0	SPL	115	329.20
0817778200	BN37	-II	1.0	1.5	SPL	115	339.30
0817780300	BN50	-III	1.5	2.0	SPL	115	322.20
<u>SINGLE SPEED, 48 FRAME, PSC MOTOR, "ENERGY EFFICIENT"</u>							
8752PTAA14U	8752PTA-A14U	-I	0.75	1.0	SPL	115	221.30
8752QTAA13U	8752QTA-A13U	-II	1.0	1.5	SPL	115	242.20

All motors have a 3/8" thread stainless steel shaft