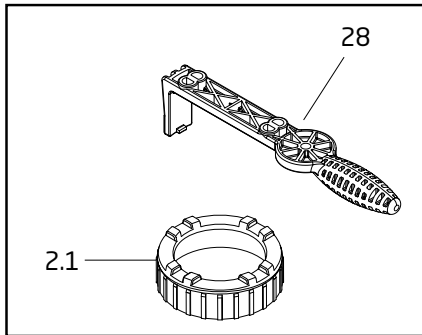
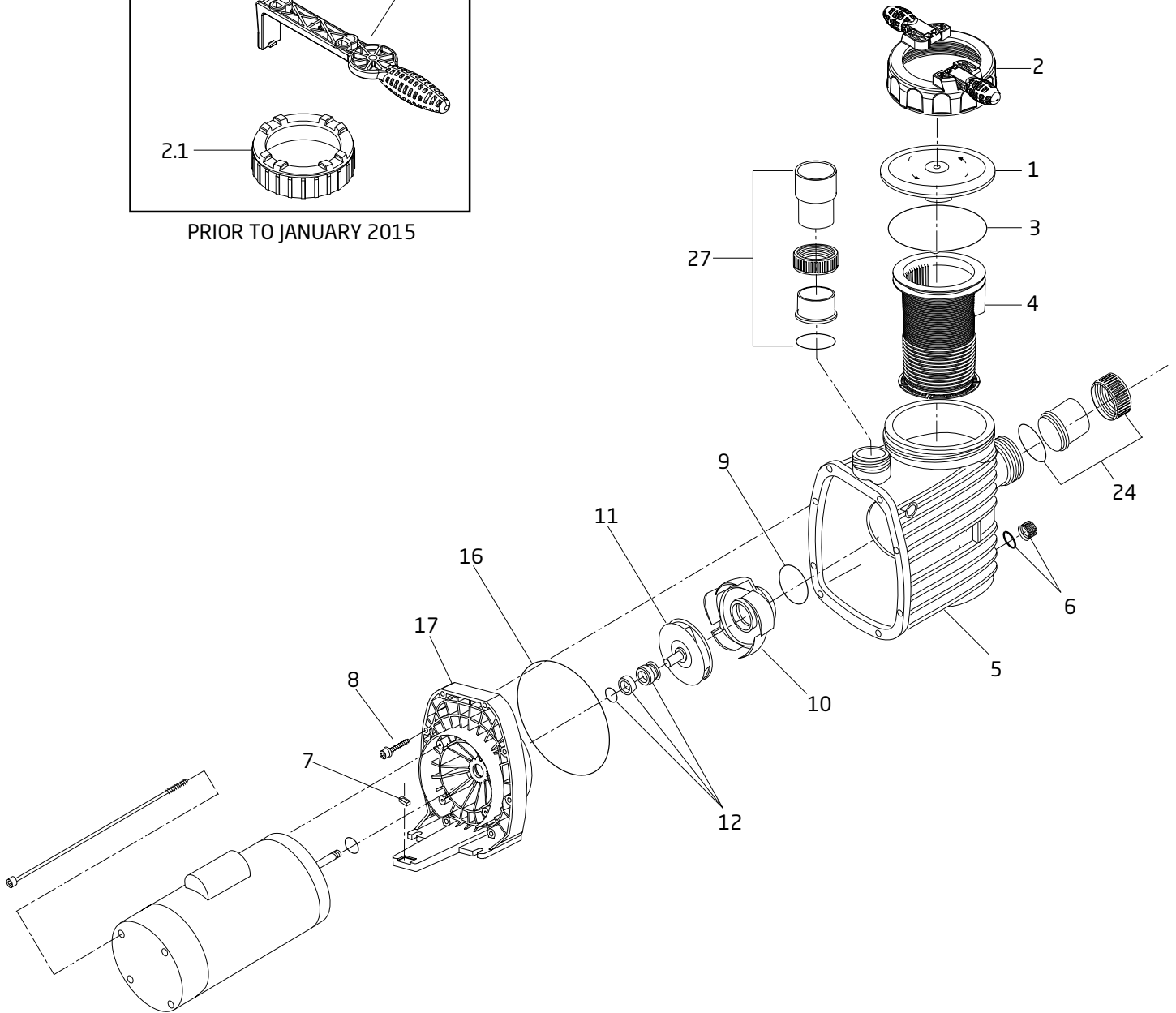


# MODEL ES90

## Swimming Pool Pump



PRIOR TO JANUARY 2015



# MODEL ES90



## Swimming Pool Pump

Order #	Drawing Number	Qty Required	Description	List Price
2901116010	1	1	LID - CLEAR	\$ 18.20
2921116012B	NOT SHOWN	1	LID - CLEAR WITH LED LIGHT	41.20
2921116022	2	1	LOCK RING WITH HANDLES - LID	33.40
2921141210	3	1	O-RING - LID 137 x 5mm	4.70
2901114300	4	1	BASKET - ONE PIECE	15.80
2921110130	5	1	CASING	164.50
2901158200	6	1	DRAIN CAP 3/8" WITH GASKET - CASING	2.50
2920889410	7	3	LEGO SPACER	0.40
2991000091	8	8	SCREW - CASING HEX/SLOT M7 x 48mm SS	3.90
2920141210	9	1	O-RING - DIFFUSER 90 x 5mm	3.10
2921117412	10	1	DIFFUSER	45.40
2921923091	11	1	IMPELLER (-I) 0.75 HP S.F. 1.0 99 / 4.5mm (3/8") 6V	48.90
2921923192	11.1	1	IMPELLER (-II) 1.0 HP S.F. 1.0 98 / 9mm (3/8") 6V w/INSERT	48.90
2921923193	11.2	1	IMPELLER (-III) 1.5 HP S.F. 1.0 106 / 9mm (3/8") 6V w/INSERT	48.90
2921923094	11.3	1	IMPELLER (-IV) 2.0 HP S.F. 1.0 111 / 9mm (3/8") 6V w/INSERT	63.50
2921606204	12	1	MECHANICAL SEAL (5/8") - CARBON/CERAMIC	13.60
2921141222	16	1	O-RING - CASING 190 x 6mm	9.50
2921116112	17	1	FLANGE/SEAL HOUSING	116.40
2921770005	24	1	SET - SUCTION UNION COMPLETE	12.90
2500300902	27	1	SET - DISCHARGE UNION COMPLETE	30.40
2500300914	24 & 27	1	SET - SUCTION/DISCHARGE UNION COMPLETE	43.30

### Parts Below Are Unique To The Model ES90 Shipped Prior To January, 2015

2901116020	2.1	1	LOCK RING - LID	19.60
2921157700	28	1	SPANNER - LID (OPTIONAL PART)	12.80

### REPLACEMENT MOTORS

Order #	Model	THP	Volts	Motor/Frame	Speed	List Price
K055RMD2237	-I	0.75	230/115	PSC 48	single	\$ 328.00
K055RME2238	-II	1.0	230/115	PSC 48	single	341.00
K055RMF2239	-III	1.5	230/115	PSC 48	single	414.60
K055RMG2240	-IV	2.0	230	PSC 48	single	464.90

All motors have a 3/8" thread stainless steel shaft