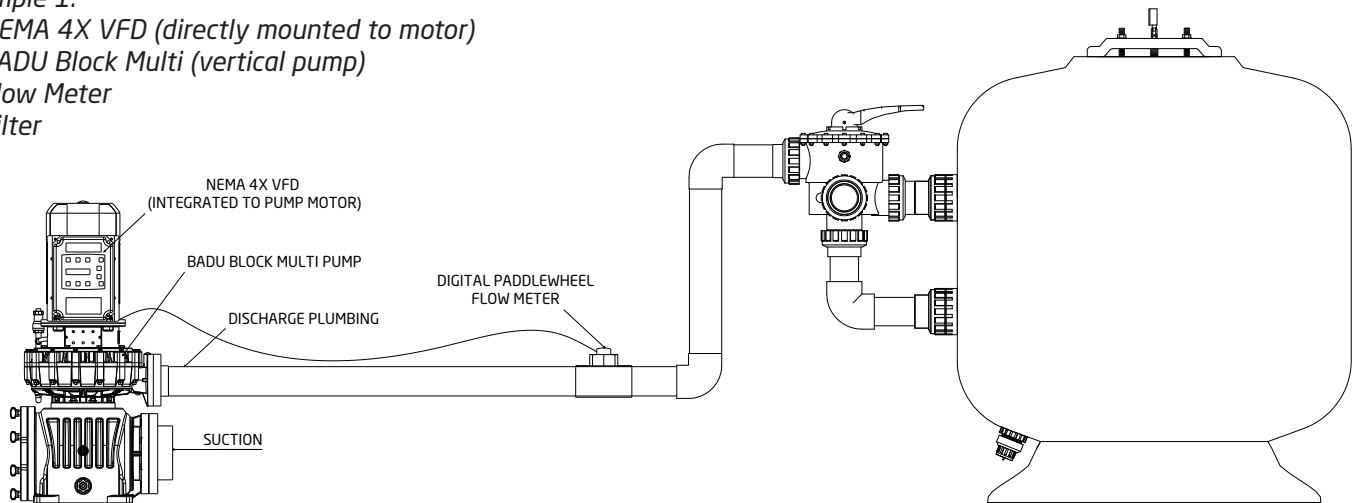


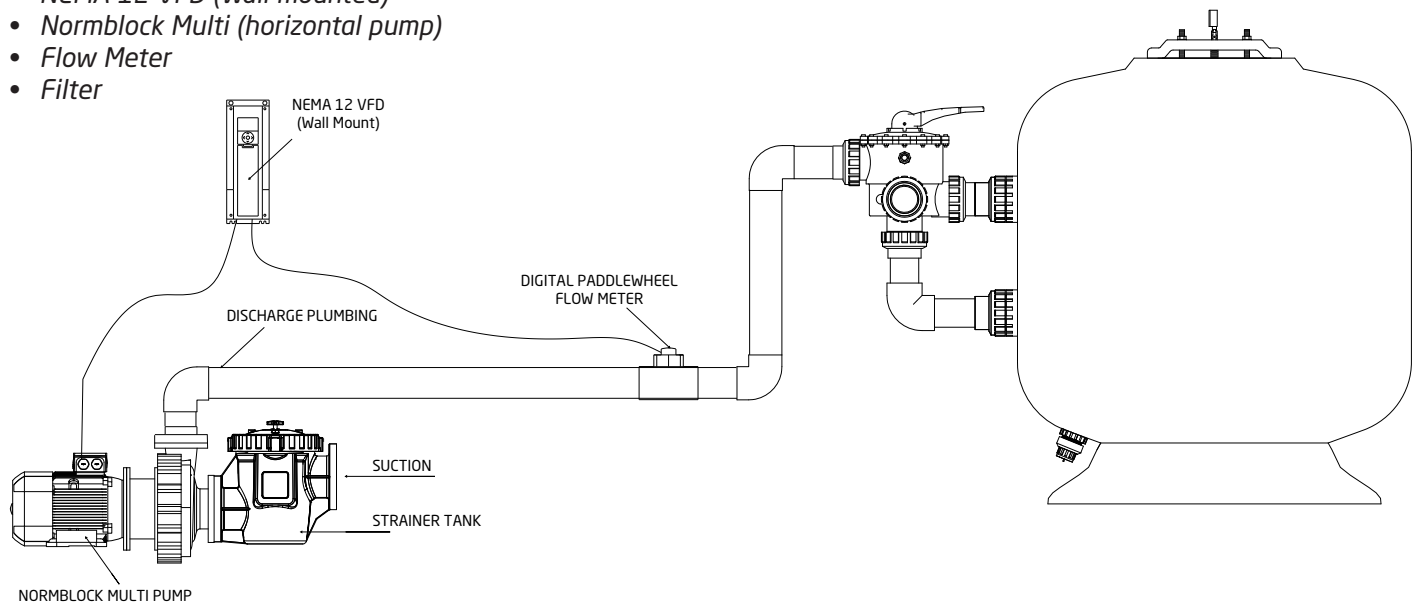
Example 1:

- NEMA 4X VFD (directly mounted to motor)
- BADU Block Multi (vertical pump)
- Flow Meter
- Filter



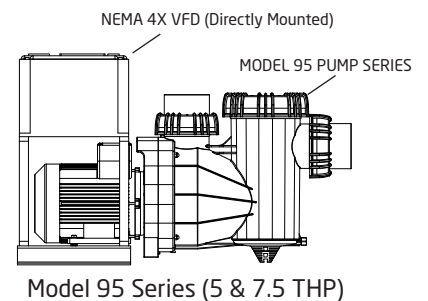
Example 2:

- NEMA 12 VFD (Wall mounted)
- Normblock Multi (horizontal pump)
- Flow Meter
- Filter



System Features

- Any configuration available
- Horizontal & Vertical pump models (3 Phase with TEFC motor):
 - BADU® Block Series (5 - 100 THP) (Cast Iron or Bronze)
 - Normblock Series (5 - 100 THP) (Cast Iron or Bronze)
 - BADU® Block Multi Series (7.5, 10, 15, & 20 THP) (All Plastic)
 - Normblock Multi Series (7.5, 10, 15, & 20 THP) (All Plastic)
 - Model 95 Series (5, & 7.5 THP) (All Plastic)
- Inline systems: Are available with optional strainer tank.
- The vertical pump can be rotated for ease of plumbing.
- NEMA 12 and stand alone NEMA 4x VFDs available. (NEMA 12 has Multi-pump Control)
- Digital flow meters synced with VFDs to manage flow as required while saving energy.
- Optional: Pump & VFD can be preprogrammed for plug-n-play.
- Complete line of filters & manifolds.



Model 95 Series (5 & 7.5 THP)

Automated Flow Systems™



Introductory Offer On Your First 3 Systems



Indicate below the system options for your introductory offer and a salesperson will call to give you your quote.

DESCRIPTION
VARIABLE FREQUENCY DRIVE (NEMA 12 or NEMA 4x)
DIGITAL PADDLEWHEEL FLOW METER
FILTERS & MANIFOLDS
MODEL 95 PUMP (5 & 7.5 THP)
BADU® BLOCK PUMP (5 - 100 HP) (Cast Iron or Bronze)
BADU® BLOCK MULTI PUMP (7.5, 10, 15, & 20 THP) (All Plastic)
NORMBLOCK PUMP (5 - 100 HP) (Cast Iron or Bronze)
NORMBLOCK MULTI PUMP (7.5, 10, 15, & 20 THP) (All Plastic)
STRAINER TANK FOR NORMBLOCK MULTI PUMP

Name: _____

Company Name: _____

Street Address: _____

City/State/Zip: _____

Telephone: _____ Cell Phone: _____

Fax: _____

Email: _____

Return form to: Fax: 904-737-5261 or email: sales.usa@speck-pumps.com