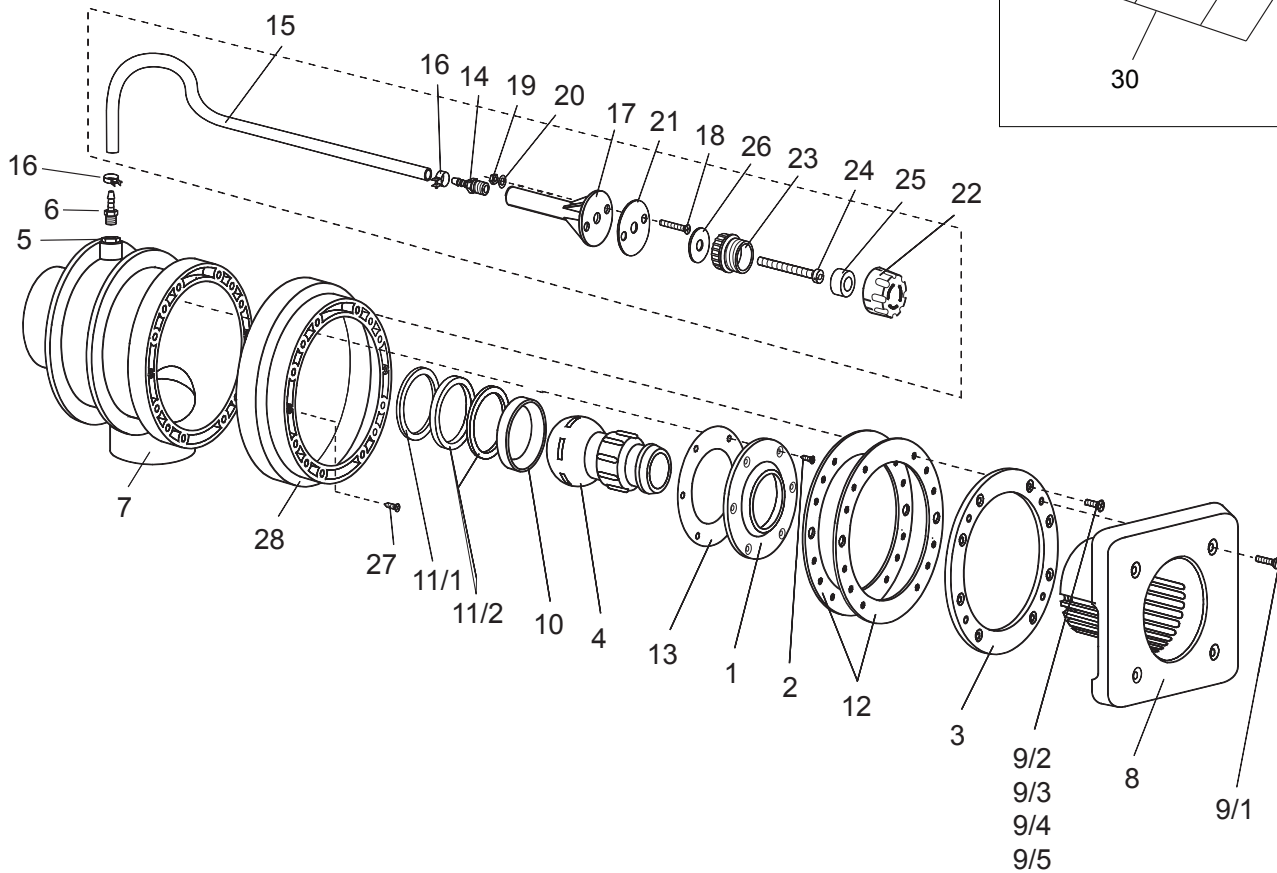
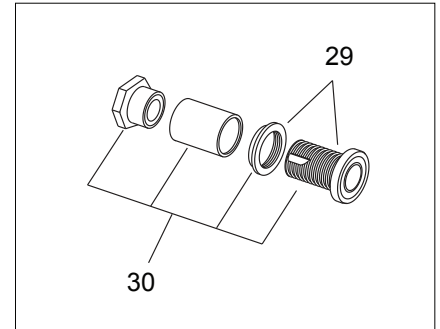


### Air Button



PART NUMBER	DRAWING NUMBER	QTY	DESCRIPTION	LIST PRICE
2306002009	1	1	FACE RING - NOZZLE	24.90
5879006020	2	6	THREAD CUTTING SCREW - FACE RING K60 x 20 A2	2.60
2308762004	3	1	RING - CLAMPING	20.10
2302002854	4	1	NOZZLE - ADJUSTABLE FLOW 40mm	23.80
5862711601	5	1	BUSHING - REDUCER 16 x 1/4"	7.10
2303011098	7	1	HOUSING	356.00
2304910002	8	1	COVER - SQUARE AE	DISCONTINUED
5879650625	9/1	4	SCREW - SQUARE COVER, PHILLIPS/PAN M6 x 25mm	1.80
2991000077	9/2	8	SCREW - CLAMPING RING, PHILLIPS FLAT HEAD M6 x 20mm	0.60
5879650625	9/3	8	SCREW - CLAMPING RING, PHILLIPS/PAN M6 x 25mm	2.00
5879650640	9/4	8	SCREW - CLAMPING RING, PHILLIPS/PAN M6 x 40mm	2.20
2991000038	9/5	4	SCREW - SQ.COVER (EXT. RING) SLOT/PAN M6 x 45mm	1.80
2302002056	10	1	SEAT - NOZZLE	6.40
2302002057	11/1	1	SPACER - NOZZLE 6.2mm	5.40
2302002157	11/2	2	SPACER - NOZZLE 4mm	3.50
2308750005	12	2	GASKET - CLAMPING RING	13.60
2306002013	13	1	GASKET - FACE RING	6.00
2303004000	(14-21)	1	HOLDER WITH HOSE SUBASSEMBLY	73.80
2301001005	14	2	NIPPLE - HOSE, AIR REGULATOR, PLASTIC 1/4"	4.30
2301001007	15	1	HOSE - AIR REGULATOR, PLASTIC 8 x 3mm	6.80
2301001008	16	2	CLAMP - HOSE, AIR REGULATOR 14/9 SS A4	4.60
2301001009	17	1	HOLDER - AIR REGULATOR	25.60
2991000049	18	2	SCREW - AIR HOLDER, SLOT/PAN 1/4-20 x 1-1/2"	1.40
2991000052	19	2	NUT - AIR HOLDER, HEX NUT 1/4-20 SS	0.50
2991400024	20	2	WASHER - AIR HOLDER 1/4" SS	0.30
2301001013	21	1	GASKET - AIR HOLDER 60 x 11 x 2mm	1.60
2301002000	(22-26)	1	AIR REGULATOR (SUB-ASSEMBLY COMPLETE)	48.40
2301002021	22	1	TOP PART - AIR REGULATOR	12.90
2301002022	23	1	BOTTOM PART - AIR REGULATOR	9.20
2301002023	24	1	SCREW W/HOLE - AIR REGULATOR, BRASS M10 x 80	19.80
2301002024	25	1	RING - HOSE, AIR REGULATOR 16 x 30 x 18mm	3.90
2301002025	26	1	GASKET - AIR REGULATOR 42 x 11 x 2mm	2.90
2991000059	27	2	THREAD CUTTING SCREW - JET HOUSING, PHILLIPS/PAN 14 x 1	1.00
2304910010	28	1	RING - EXTENSION, JET HOUSING (FLANGE)	21.40
7400000026	29	1	#10 AIR BUTTON	31.80
7400000027	NOT SHOWN	50'	AIR TUBE 1/8" x 1' (PRICE PER FOOT)	0.50
7400000062	30	1	AIR BUTTON WITH CONCRETE ADAPTOR	34.70

**PARTS UNIQUE TO THE BADUSTREAM SHIPPED PRIOR TO OCTOBER, 1994**

2302002954	4	1	*NOZZLE - STRAIGHT 40 mm	82.00
2302002057	11/1	1	SPACER - NOZZLE 6.2 mm	5.40
2302002157	11/2	1	SPACER - NOZZLE 4 mm	3.50
2302002158	11/3	1	SPACER - NOZZLE 1.5 mm	1.60

\*NOTE: The Nozzle 40mm complete requires part numbers 11/1, 11/2, and 11/3.

**OPTIONAL PARTS FOR THE BADUSTREAM**

2304910003	8	1	COVER - SQUARE GRAY	63.50
------------	---	---	---------------------	-------