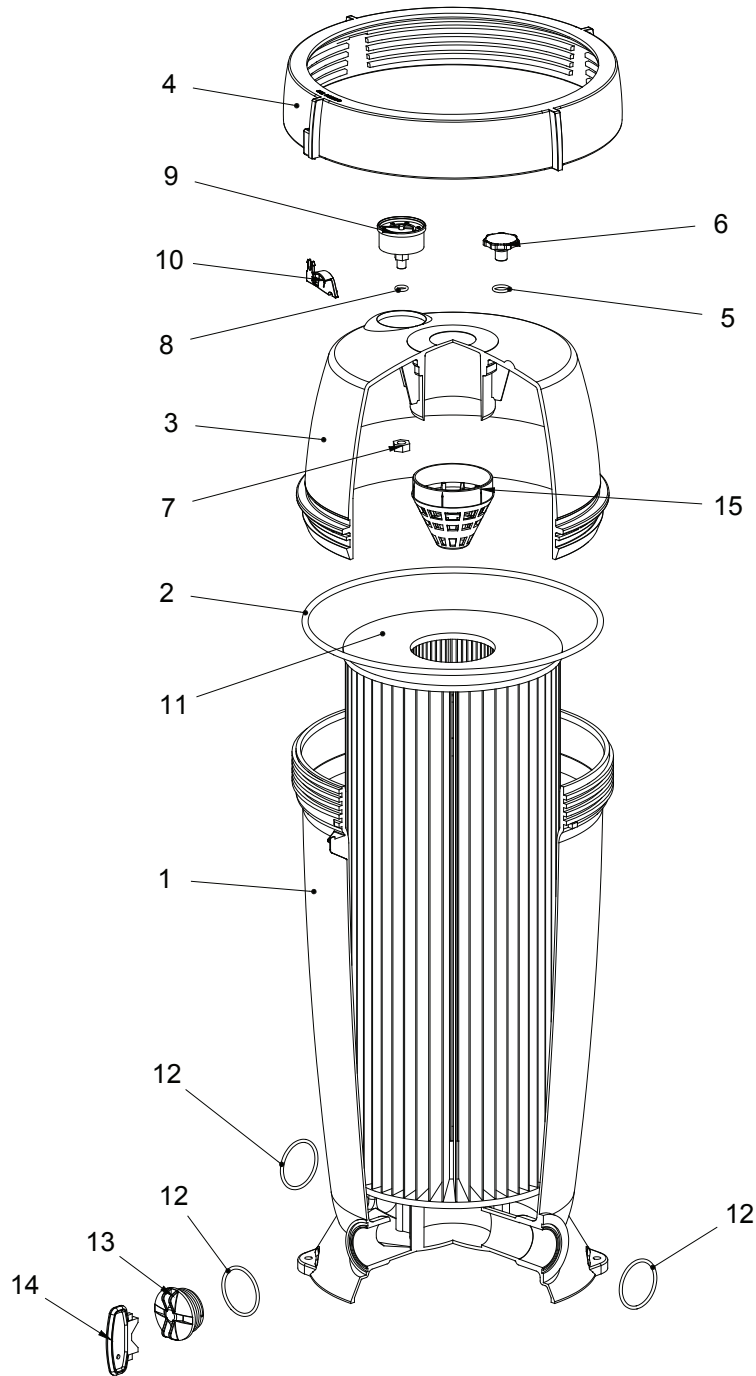


AC 2500 SERIES

Cartridge Filters



AC 2500 SERIES

Cartridge Filters



PART NUMBER	DRAWING NUMBER	QTY	DESCRIPTION	LIST PRICE
18113R0001	1	1	FILTER BODY (for 100 & 150 sq. ft.)	251.20
18220R0001	1.1	1	FILTER BODY (for 75 sq. ft.)	211.70
7200323069	2	1	O-RING - FILTER LID	36.20
18216R0200	3 & 4	1	ASSEMBLY - LID & LOCK RING (for 75 & 150 sq. ft.)	266.40
18111R0200	3 & 4	1	ASSEMBLY - LID & LOCK RING (for 100 sq. ft.)	229.40
7220140030	5	1	O-RING - AIR RELIEF	2.00
18111R0005	6	1	PLUG - AIR RELIEF	2.80
18111R0009	7	1	NUT - PRESSURE GAUGE	14.70
7221000025	8	1	O-RING - PRESSURE GAUGE	1.50
18111R0008	9	1	GAUGE - PRESSURE	51.40
18111R0006	10	1	LOCK RING	2.70
18219R0100	11	1	CARTRIDGE - REPLACEMENT (14-7/8" x 9") (for 75 sq. ft.)	179.00
18112R0100	11.1	1	CARTRIDGE - REPLACEMENT (19-1/2" x 9") (for 100 sq. ft.)	217.20
18220R0100	11.2	1	CARTRIDGE - REPLACEMENT (24" x 9") (for 150 sq. ft.)	268.10
7220620040	12	1	O-RING - DRAIN CAP	3.10
18111R0010	13	1	CAP - DRAIN	4.20
7300006667	14	1	KEY - DRAIN CAP	4.20
18111R0401	15	1	CENTERING CONE	15.60
0000019810	NOT SHOWN	1	BASE - SYSTEM (for AS2507, AS2510, & AC2515)	90.50