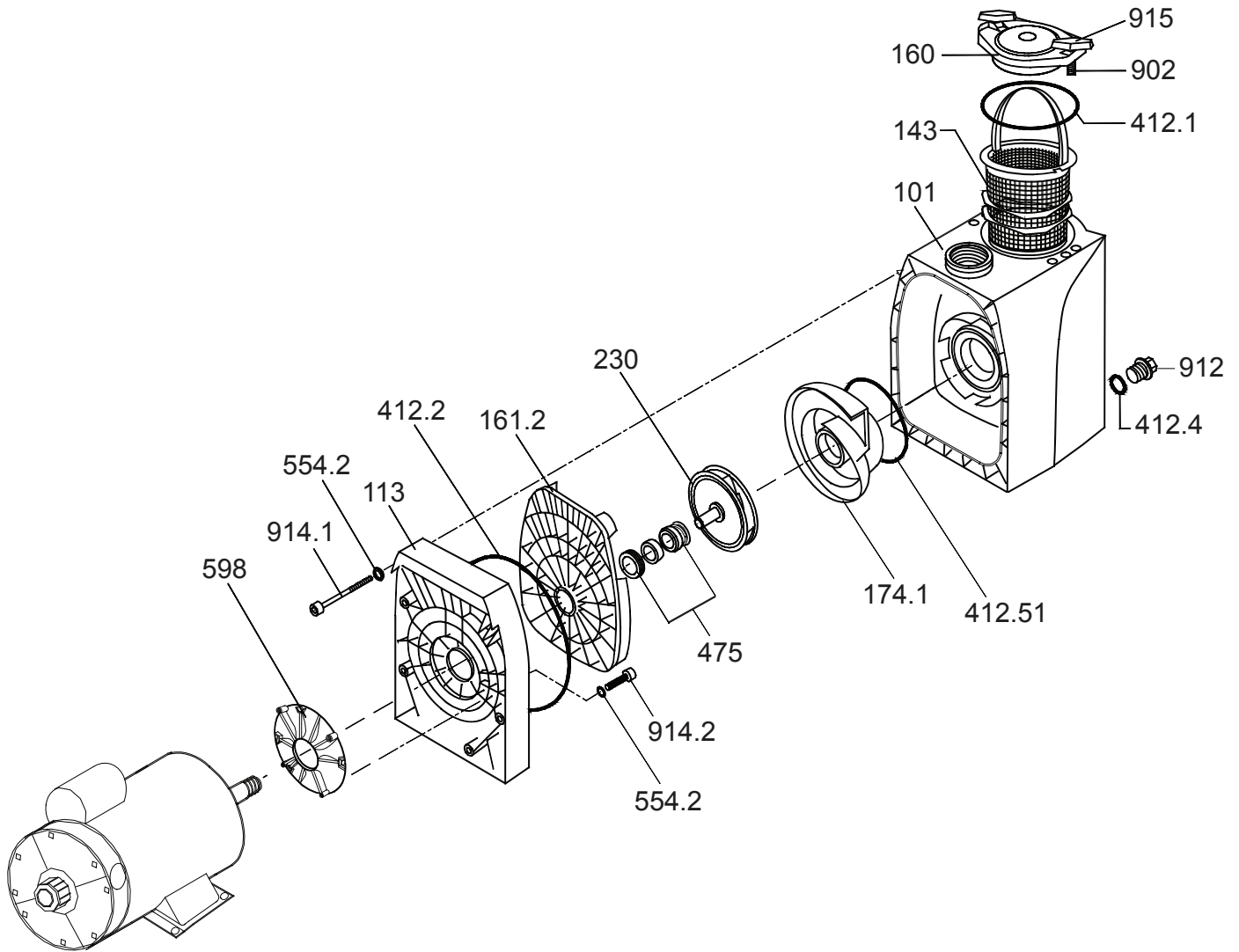


# MODEL 410

Swimming Pool Pump



# MODEL 410

Swimming Pool Pump



PART NUMBER	DRAWING NUMBER	QTY	DESCRIPTION	LIST PRICE
<b>* WITH C-FACE FLANGE MOTOR</b>				
2991300007*	914.2	4	BOLT - MOTOR, SLOT/ROUND (3/8-16 x 2-1/4")	2.00
2920191401	914.1	8	BOLT - CASING, PAN HEAD SLOT, M6 x 97mm SS	6.70
2920791213	912	1	PLUG - CASING DRAIN (1/4") HEX HEAD (RED)	2.50
2920110200*	598	1	MOTOR FLANGE - 56 FRAME	12.10
5871250600	554.2	8	WASHER M6 SS	0.50
2920216110*	NOT SHOWN	1	INTERMEDIATE FLANGE	7.20
2920343310	475	1	MECHANICAL SEAL (20mm) COMPLETE	45.50
2920241220	412.51	1	O-RING - DIFFUSER 50 x 3mm	2.20
2920141240	412.4	1	O-RING - CASING DRAIN PLUG 11 x 2.5mm	1.00
2921641223	412.2	1	O-RING - CASING 165 x 6mm	6.40
2920141210	412.1	1	O-RING - LID 90 x 5mm	2.70
2920223041*	230	1	IMPELLER (I) 0.75 HP S.F. 1.0 90 / 9mm (7/16")	61.80
2920223042*	230.1	1	IMPELLER (II) 1.0 HP S.F. 1.0 100 / 9mm (7/16")	61.80
2920822500*	230.2	1	IMPELLER (III) 1.5 HP S.F. 1.0 108 / 9mm (7/16")	61.80
2920217400	174.1	1	DIFFUSER	42.30
2920216101	161.2	1	SEAL HOUSING	22.40
2920116000	160	1	LID - CLEAR	13.60
2920114300	143	1	BASKET - COMPLETE	6.10
2920111300	113	1	FLANGE	48.20
2920110100	101	1	CASING	145.90
2920116003	160, 902, & 915	1	LID COMPLETE WITH KNOBS & BOLTS	66.90
<b>* WITH THRU-BOLT MOTOR</b>				
2991400019	914.2	4	TAPPING SCREW - FLANGE, HEX/SLOT K6 x 30mm	1.40
2920110204	598	1	MOTOR FLANGE - THRU-BOLT	12.10
2991400024	554.1	4	WASHER - TAPPING SCREW (1/4") SS	0.30
2920223110	230.3	1	IMPELLER (I) 0.75 HP S.F. 1.0 88 / 9mm (3/8")	61.80
2920223120	230.4	1	IMPELLER (II) 1.0 HP S.F. 1.0 97 / 9mm (3/8")	61.80
2920223130	230.5	1	IMPELLER (III) 1.5 HP S.F. 1.0 105 / 9mm (3/8")	61.80