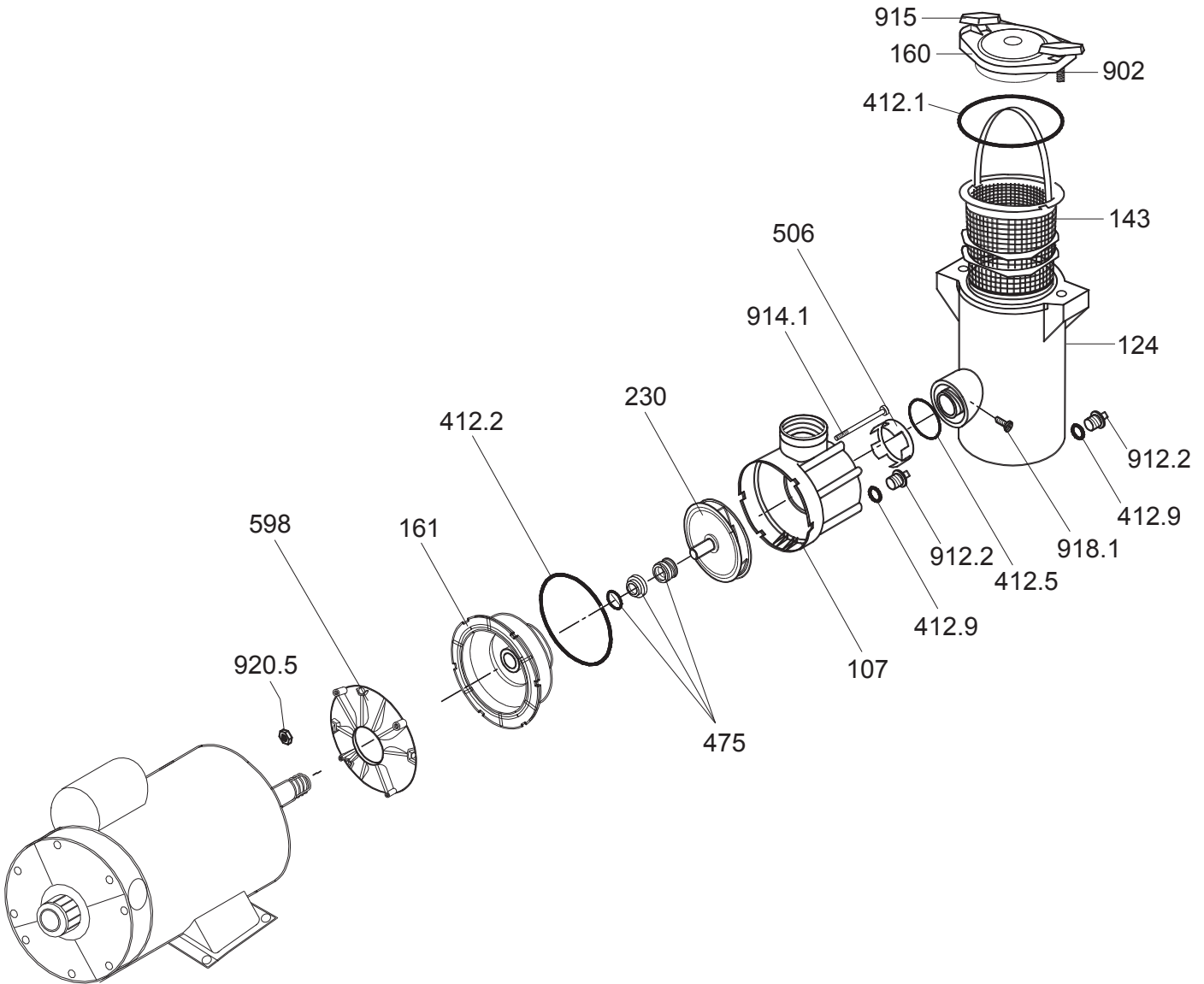


MODEL 420

Swimming Pool Pump



MODEL 420

Swimming Pool Pump



PART NUMBER	DRAWING NUMBER	QTY	DESCRIPTION	LIST PRICE
*WITH THRU-BOLT MOTOR				
5879340600	920.5	6	NUT - CASING BOLT M6 SS	0.70
2923591201	912.2	2	PLUG - STRAINER TANK/CASING DRAIN (1/4")	0.80
2920791030	918.1	2	TAPPING SCREW - STRAINER TANK, PHIL. 4.2 x 9.5mm	DISCONTINUED
2920191401	914.1	6	BOLT - CASING, PAN HEAD/SLOT M6 x 97mm SS	6.70
2920110204*	598	1	MOTOR FLANGE - THRU BOLT	12.10
2920750601	506	1	LOCK RING	DISCONTINUED
2920343310	475	1	MECHANICAL SEAL (20mm) COMPLETE	45.50
2920141240	412.9	2	O-RING - STRAINER TANK DRAIN PLUG 11 x 2.5mm	1.00
2920141250	412.5	1	O-RING - STRAINER TANK 45 x 5.5mm	DISCONTINUED
2920241210	412.2	1	O-RING - CASING 110 x 3.55mm	3.00
2920141210	412.1	1	O-RING - LID 90 x 5mm	2.70
2920223012*	230	1	IMPELLER (I) 0.75 HP S.F. 1.0 95 / 9mm (3/8")	DISCONTINUED
2920223011*	230.1	1	IMPELLER (II) 1.0 HP S.F. 1.0 100 / 9mm (3/8")	DISCONTINUED
2920716101	161	1	SEAL HOUSING	27.30
2920116000	160	1	LID -CLEAR	13.60
2901314300	143	1	BASKET - ONE PIECE	8.70
2920712401	124	1	STRAINER TANK	DISCONTINUED
2920710701	107	1	CASING	59.90
2920116003	160, 902, & 915	1	LID COMPLETE WITH KNOBS & BOLTS	66.90
WITH C-FACE FLANGE MOTOR				
2991400003	NOT SHOWN	4	BOLT - MOTOR, SLOT/FLATHEAD (3/8-16 x 1")	1.50
2920110200	598.1	1	MOTOR FLANGE - 56 FRAME	12.10
2920223000	230.2	1	IMPELLER (I) 0.75 HP S.F. 1.0 100 / 5mm	DISCONTINUED
2920223010	230.3	1	IMPELLER (II) 1.0 HP S.F. 1.0 100 / 9mm	DISCONTINUED