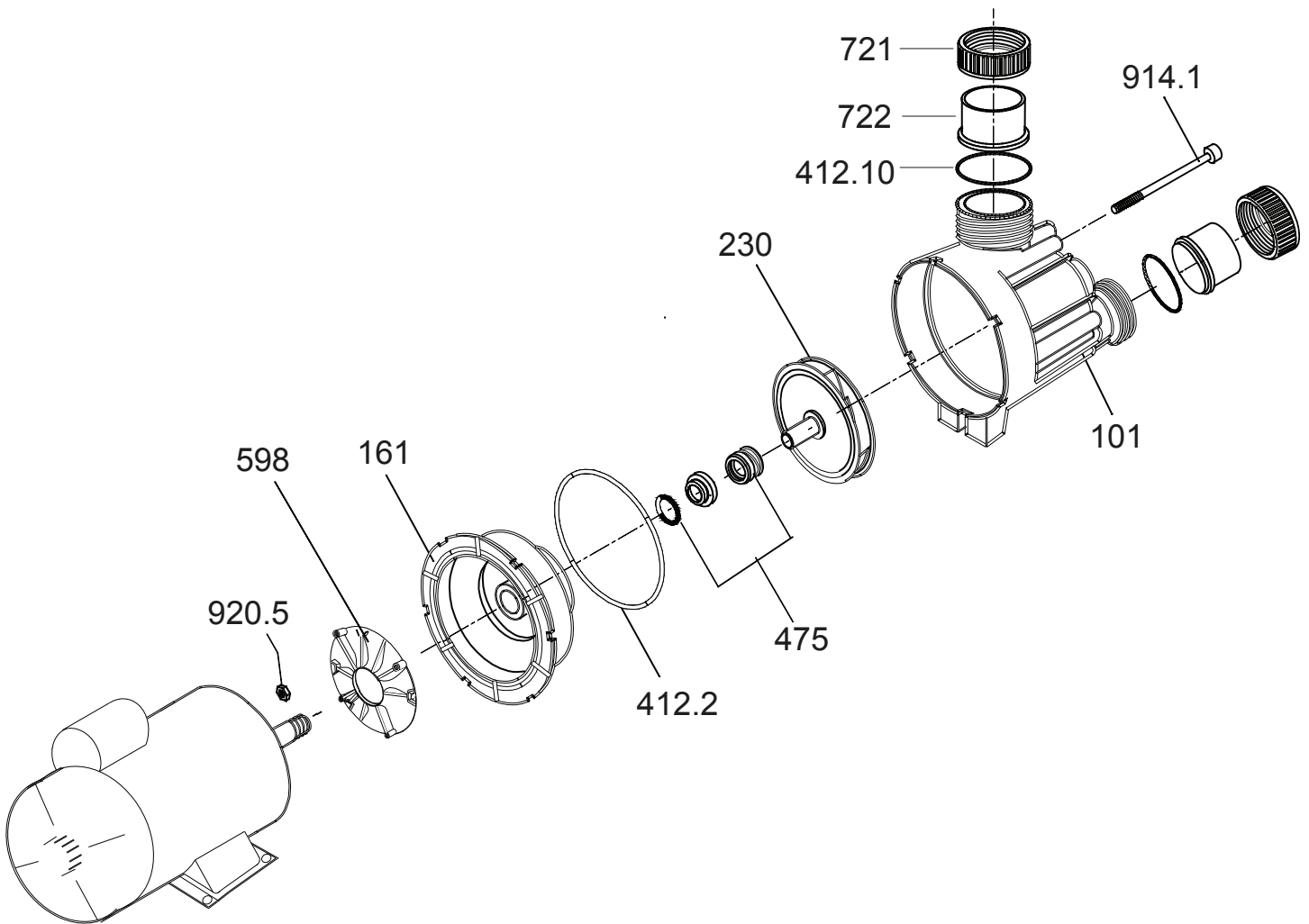


MODEL 440

Swimming Pool Pump



MODEL 440

Swimming Pool Pump



PART NUMBER	DRAWING NUMBER	QTY	DESCRIPTION	LIST PRICE
*WITH THRU-BOLT MOTOR				
5879340600	920.5	6	NUT - CASING BOLT M6	0.70
2920191401	914.1	6	BOLT - CASING, PHILLIPS M6 x 97mm SS	6.70
2920110204*	598	1	MOTOR FLANGE - THRU-BOLT	12.10
2920343310	475	1	MECHANICAL SEAL (20mm) COMPLETE	45.50
2920241220	412.10	2	O-RING - UNIONS 50 x 3mm	2.20
2920241210	412.2	1	O-RING - CASING 110 x 3.55mm	3.00
2920223051*	230	1	IMPELLER (I) 0.75 HP S.F. 1.0 90/9mm (3/8")	61.80
2920223052*	230.1	1	IMPELLER (II) 1.0 HP S.F. 1.0 100/9mm (3/8")	61.80
2920223053*	230.2	1	IMPELLER (III) 1.5 HP S.F. 1.0 108/9mm (3/8")	61.80
2920216120	161	1	SEAL HOUSING (20mm)	4.90
2920210100	101	1	CASING (FINE THREAD)	39.00
2500310125	722	2	HALF UNION (1-1/4" x 1-1/2")	DISCONTINUED
2500005000	NOT SHOWN	1	T-PIECE COMPLETE WITH HALF UNION	DISCONTINUED
2500029048	NOT SHOWN	1	ELBOW (2.0 x 2.0" / 1.5")	DISCONTINUED
2500310000	721	2	NUT - UNION (FINE THREAD)	DISCONTINUED
WITH C-FACE FLANGE MOTOR				
2991400003	NOT SHOWN	4	BOLT - MOTOR, SLOT/FLATHEAD (3/8-16 x 1")	1.50
2920110200	598	1	MOTOR FLANGE	12.10
2920223041	230	1	IMPELLER (I) 0.75 HP S.F. 1.0 90/9mm	61.80
2920223042	230.1	1	IMPELLER (II) 1.0 HP S.F. 1.0 100/9mm	61.80
2920223043	230.2	1	IMPELLER (III) 1.5 HP S.F. 1.0 110/9mm	61.80