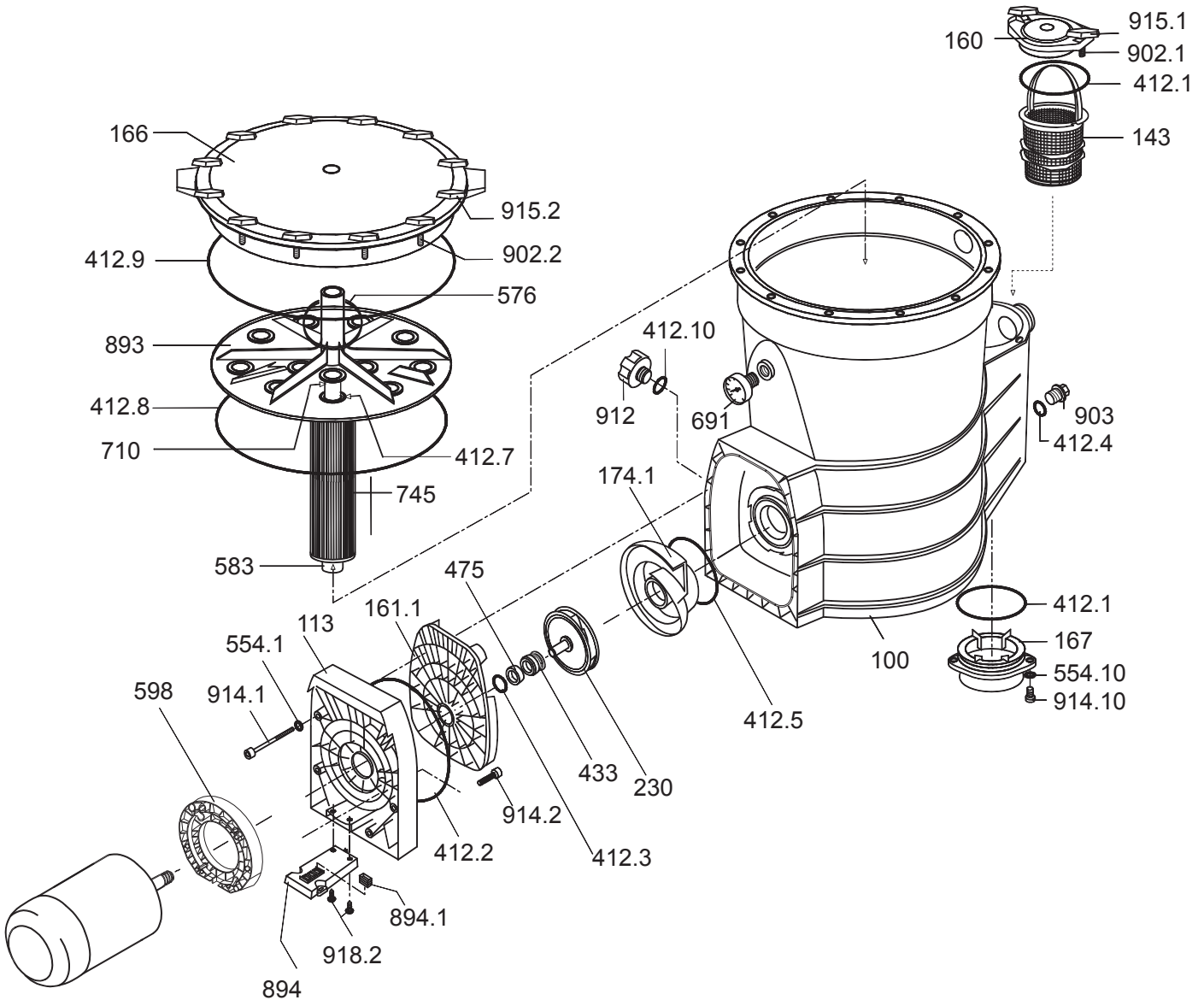


MODEL 913

Swimming Pool Pump



MODEL 913

Swimming Pool Pump



PART NUMBER	DRAWING NUMBER	QTY	DESCRIPTION	LIST PRICE
2922091600	912	1	PLUG - FILTER DRAIN (3/4")	9.20
2920191500	915.2	12	LID KNOB - FILTER	DISCONTINUED
2920191500	915.1	2	LID KNOB - STRAINER TANK	DISCONTINUED
2920191405	914.10	2	BOLT - BOTTOM COVER, ALLEN M8 x 45mm	2.00
2991300007	914.2	4	BOLT - MOTOR, ROUND/SLOT (3/8"-16 x 2-1/4")	2.00
2920791213	903	1	PLUG - STRAINER TANK DRAIN (1/4") HEX HEAD	2.60
2920191401	914.1	8	BOLT - CASING, PAN HEAD SLOT M6 x 97mm SS	6.70
2991300008	902.2	12	BOLT - FILTER LID 913	DISCONTINUED
5879390845	902.1	2	BOLT - STRAINER TANK LID 316 M8 x 45mm	DISCONTINUED
2991300009	893	1	CARTRIDGE PLATE FOR 12 CARTRIDGE	91.50
2524599101	745	12	CARTRIDGE 6 SQ FT	11.80
2991300013	710	12	CARTRIDGE PIPE (36")	17.40
2991300012	710.1	12	CARTRIDGE PIPE (24")	16.10
2991300011	710.2	12	CARTRIDGE PIPE (12")	13.10
2991300021	691	1	PRESSURE GAUGE	26.20
2920110200	598	1	MOTOR FLANGE - 56 FRAME	12.10
2920216110	NOT SHOWN	1	INTERMEDIATE FLANGE	7.20
2991300016	583	12	CAP - CARTRIDGE ROD	17.10
2991300010	576	1	HANDLE	21.60
5871250600	554.1	8	WASHER - CASING BOLT M6	0.50
2991000062	554.10	2	WASHER - BOTTOM COVER BOLT M8 A4	0.50
2920343310	475	1	MECHANICAL SEAL (20mm) COMPLETE	45.50
2991300003	412.9	1	O-RING - FILTER LID 374 x 8mm	61.50
2991300004	412.8	1	O-RING - CARTRIDGE PLATE 348 x 8.5mm	15.50
2991300005	412.7	12	O-RING - CARTRIDGE PIPE 26.5 x 3.5mm	0.70
2991300002	412.5	1	O-RING - DIFFUSER 63.5 x 5.5mm	10.90
2920141240	412.4	1	O-RING - STRAINER TANK DRAIN PLUG 11 x 2.5mm	1.00
2923241231	412.10	1	O-RING - FILTER TANK DRAIN PLUG 24 x 3.5mm	0.70
2921641223	412.2	1	O-RING - CASING 165 x 6mm	6.40
2920141210	412.1	2	O-RING - STRAINER TANK LID 90 x 5mm TOP/BOTTOM	2.70
2920223041	230	1	IMPELLER (I) 0.75 HP S.F. 1.0 90 / 9mm 7/16"	61.80
2920223042	230.1	1	IMPELLER (II) 1.0 HP S.F. 1.0 100 / 9mm 7/16"	61.80
2920822500	230.2	1	IMPELLER (III) 1.5 HP S.F. 1.0 108 / 9mm 7/16"	61.80
2920217400	174.1	1	DIFFUSER	42.40
2991300020	167	1	BOTTOM COVER	23.70
2920216101	161.1	1	SEAL HOUSING	22.40
2920116000	160	1	LID - STRAINER TANK	13.60
2920114300	143	1	BASKET - COMPLETE	6.10
2920111300	113	1	FLANGE	48.30
2991300018	100	1	FILTER HOUSING	1,111.60
2991300017	166	1	LID - FILTER COMPLETE WITH KNOBS & BOLTS	499.20
2920116003	160.1	1	LID - STRAINER TANK CPL WITH KNOBS & BOLTS	66.90