

OWNER'S MANUAL

Swimming Pool Pump



READ THIS MANUAL CAREFULLY BEFORE USING THE SPECK PUMP

NOTE: All wiring should be done by a qualified electrician in accordance with the National Electrical Code and all Local Codes.

NOTE: Before installation, inspect all equipment, plumbing and wiring for damage that may have occurred during shipment. The shipping container has been specifically designed to prevent damage, however, any indications of damage should be carefully noted on the delivery ticket and a claim needs to be filed with the carrier.

All pumps are water tested on a test stand to ensure that they meet specification.

SECTION 1 IMPORTANT SAFETY INSTRUCTIONS

When installing and using this electrical equipment, basic safety precautions should always be followed:

1. READ AND FOLLOW ALL INSTRUCTIONS.

2. **WARNING** -To reduce the risk of injury, do not permit children to use this equipment.

(For cord - and plug - connected units)
3. **WARNING** - Risk of Electric Shock. Connect only to a grounding type receptacle protected by a ground-fault circuit-interrupter (GFCI). Contact a qualified electrician if you cannot verify that the receptacle is protected by a GFCI.

(For cord - and plug - connected units)
4. **WARNING** - Do not bury cord. Locate cord to minimize abuse from lawn mowers, hedge trimmers, and other equipment.

(For cord - and plug - connected units)
5. **WARNING** - To reduce the risk of electric shock, replace damaged cord immediately.

(For cord - and plug - connected units)
6. **WARNING** - To reduce the risk of electric shock, do not use extension cord to connect unit to electric supply; provide a properly located outlet.

(For swimming pool pumps with a minimum 25-foot (7.6-m) cord)

CAUTION - This pump is for use with storable pools only. Do not use with permanently installed pools. A storable pool is constructed so that it may be readily disassembled for storage and reassembled to its original integrity. A permanently installed pool is constructed in or on the ground or in a building such that it cannot be readily disassembled for storage.

8. (For swimming pool pumps with or without a maximum 3 foot (0.91 -m) cord)

CAUTION - This pump is for use with permanently installed pools and may also be used with hot tubs and spas if so marked. Do not use with storable pools. A permanently installed pool is constructed in or on the ground or in a building such that it cannot be readily disassembled for storage. A storable pool is constructed so that it may be readily disassembled for storage and reassembled to its original integrity.

9. **TO REDUCE RISK OF ELECTRICAL SHOCK**, connect ground wires to grounding screw located in the motor. Use no smaller than a #1 2 AWG (3.3mm²) wire.

10. **TO REDUCE RISK OF ELECTRICAL SHOCK**, a bonding connector is provided for bonding to metal water pipes, metal rails, or other metal within 5 feet of the swimming pool. All local points should be bonded with a #8 AWG (8.4mm²) wire.

NOTE: To installer and/or operator of the Speck Swimming Pool Pump; the manufacturer's warranty will be void if the pump is improperly installed and/or operated.

READ INSTRUCTIONS CAREFULLY.

SECTION 2 WINTERIZING

In areas subject to freezing winter temperatures, protect by removing drain plugs. Do not replace plug. Store plug in strainer basket for winter.

An alternative is to remove the pump and motor from plumbing and store indoors in a warm and dry location.

SAVE THESE INSTRUCTIONS!

SECTION 3 EQUIPMENT OPERATION AND MAINTENANCE

2/1 LOCATION

1. Locate pump as close to the pool as practical. Consult local codes for minimum distance between pool and pump.
2. The piping should be as direct and free from turns or bends as possible, as elbows and other fittings greatly increase friction losses.
3. Place pump on a solid foundation which provides a rigid and vibration-free support so that it is readily accessible for service and maintenance.
4. Protect the pump against flooding and excess moisture, and prevent foreign objects from clogging air circulation around motor.
5. **DO NOT** store or use gasoline or other flammable vapors or liquids in the vicinity of this pump. **DO NOT** store pool chemicals near the pump.
6. **DO NOT** remove any safety alert labels such as **DANGER, WARNING, or CAUTION.** Keep safety labels in good condition and replace missing or damaged labels.

2/2 INSTALLATION

1. When connecting pipework to pump it is recommended that a flanged connection be used in the discharge line directly above the pump (see figure 1). If the suction pipe is not sealed correctly, the pump will not prime properly and will pump small volumes of water or none at all.

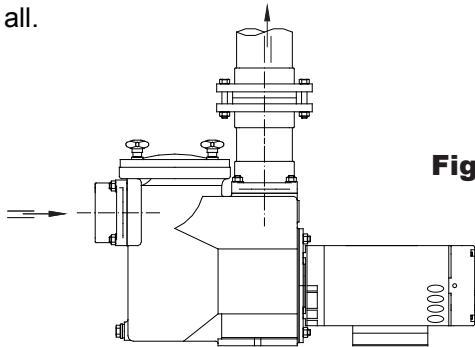


Figure 1

2. When installing the pump, care should be taken to see the suction line is below water level to a point immediately beneath the pump to ensure quick priming via a flooded suction line. The height between the pump and water level should not be more than 15 feet. Should it not be possible to lay the pipework giving a flooded suction, then a check valve should be fitted in the vertical section of the suction line. The check valve will ensure that the water in the pump starts priming. (Does not apply to flooded suction application.)
3. Suction and discharge line should be independently supported at a point near the pump to avoid strains being placed on the pump.
4. It is advisable to install a gate valve in both the suction and discharge line in the event that the pump must be removed for servicing. (Flooded suction application only)
5. Before starting the pump for the first time, remove the lid. Fill pump body with water until level with suction inlet. Replace lid, hand tight, making sure that the o-ring is not damaged.
6. When installing and using the motor, basic safety precautions should always be followed. The wiring of motor should be done by a licensed electrician in accordance with local codes. Be certain that the motor frame is grounded. Motor name plate has voltage, phase, ampere draw and other motor information as well as wiring connection instructions.

BONDING: As required by National Electrical Code Article 680-22, the pump motor must be electrically bonded to the pool structure (reinforced bars, etc.) by a solid copper conductor not smaller than #8 AWG via the external copper bonding lug on the pump motor.

GROUNDING: Permanently ground the pump motor using a conductor of appropriate size. Connect to the #10 green headed ground screw provided inside the motor terminal box.

NOTE: Do not connect to electric power supply until unit is permanently grounded.

SECTION 4 MAINTENANCE

The pump requires little or no service other than reasonable care and periodic cleaning of the strainer basket. The seal on the pump is a mechanical seal. The seal may come loose during the course of time, depending on the running time and water quality. If water continually leaks out, a new mechanical seal should be fitted.

To replace a mechanical seal, remove the four nuts holding the seal housing to the casing. Slide the motor part including the seal-housing out. Remove impeller

nut by turning it counter-clockwise when facing it, while holding motor shaft with a 1/2" wrench at rear end of motor. Pull pump impeller from shaft and slide seal from impeller shaft. To re-assemble, reverse the process. (Use a drop of loctite to secure the impeller nut.) Note: Make sure both parts of the mechanical seal (ceramic and spring portion) are clean. Gently wipe polished faces with soft and dry cotton cloth. Surfaces can easily be damaged by dirt and scratching. Only water should be used as lubricant to mount both parts of the mechanical seal.

SECTION 5 SERVICING INFORMATION

When calling the manufacturer regarding a question or problem with your pump, please have the serial number available. The serial number is located on the Speck

Pump model label on the motor or pump flange. Replacement parts may be available from your installer. Call, fax, or write:

Speck Pumps - Pool Products, Inc. • 8125 Bayberry Road • Jacksonville, FL 32256
Phone (904) 739-2626 • Fax (904) 737-5261 • email: info.usa@speck-pumps.com

SECTION 6 TROUBLESHOOTING GUIDE

PROBLEM	POSSIBLE CAUSES	SOLUTION
1. Pump will not prime.	<ul style="list-style-type: none"> a. Suction air leak. b. No water in pump. c. Closed valves or blocked lines. d. Low voltage to motor. 	<p>Make sure see-through lid and o-ring are clean and properly positioned. Tighten see-through lid (hand tight). Tighten all pipes and fittings on suction side of pump. Be sure water in pool is high enough to flow through skimmer.</p> <p>Make sure strainer tank is full of water.</p> <p>Open all valves in system. Clean skimmer and strainer tank. Open pump and check for clogging of impeller.</p> <p>Check voltage at motor. If low, pump will not come up to speed.</p>
2. Motor does not turn.	<ul style="list-style-type: none"> a. No power to motor. b. Pump jammed. 	<p>Check that all power switches are on. Be sure fuse or circuit breaker is properly set. Time set properly? Check motor wiring at terminals.</p> <p>With power off, turn shaft. It should spin freely. If not, disassemble and repair.</p>
3. Low flow.	<ul style="list-style-type: none"> a. Dirty filter. b. Dirty skimmer basket. c. Suction air leak. d. Closed valves or blocked lines. 	<p>Back wash filter when filter pressure is high, or clean cartridges.</p> <p>Clean skimmer and pump strainer baskets.</p> <p>See problem 1.</p> <p>See problem 1.</p>
4. Noisy operation of motor.	<ul style="list-style-type: none"> a. Bad bearings. 	<p>Noise when shaft is turned up by hand. Motor is hot in bearing area when running. Replace bearings.</p>
5. Motor runs hot.	<p>These motors will run hot to the touch, however, this is normal. They are designed that way. Thermal overload protector will function to turn them off if there is an overload or high temperature problem. Excessive heat can be caused by:</p> <ul style="list-style-type: none"> a. Low voltage. b. Installed in direct sun. c. Poor ventilation. 	<p>Increase size of electrical wire. Be sure motor is operating on correct voltage.</p> <p>Shield motor from sun's rays.</p> <p>Do not tighten cover or enclose motor.</p>

PROBLEM	POSSIBLE CAUSES	SOLUTION
6. Noisy operation of pump.	a. Air leak in suction line. Bubbles in water returning to pool at inlet. b. Restricted suction line due to blockage or undersize pipe. Indicated by high vacuum reading at pump suction. c. Foreign matter (gravel, metal, etc.) in pump impeller. d. Cavitation.	Repair leak. Check suction pipe, see-through lid in place? O-ring clean? Remove blockage or increase suction pipe size. Make sure strainer tank is clean. Are all suction valves fully open? Disassemble pump and remove foreign matter from impeller. Improve suction conditions. (Reduce suction lift, reduce number of fittings, increase pipe size.) Increase discharge pressure and reduce flow by throttling discharge valve.
7. Motor overload protection "kicks out."	a. Motor is not connected properly. b. Low voltage due to undersize wire or low incoming voltage. c. Wrong size heaters in protective device. d. Overload due to binding in pump or wrong size impeller.	Check wiring diagram on motor. Check with volt meter. Increase size of supply wire. Report low supply voltage to power company. Voltage at motor must be within 10% of motor nameplate voltage. Heaters should be one size larger than full load amps shown on motor nameplate. Indicated by high amperage readings on motor, binding shaft. Disassemble unit and correct.

SAVE THESE INSTRUCTIONS! LIMITED WARRANTY

The manufacturer supplies a limited warranty to the original consumer purchaser of the pump and the motor on the following terms and conditions:

1. The pump and motor are warranted to be free from defects in material and workmanship for a period of twenty-four (24) months from the date that the pump is originally installed.
2. Notwithstanding any provision herein to the contrary, the warranties and obligations hereunder shall not in any event extend for more than 3 years beyond the date of shipment of the motor and the pump from the factory in Jacksonville, Florida.
3. Warranty is void in the following cases: damages which result in whole or in part from: (a) careless or improper installation of the pump or the motor; b) Improper or negligent use and maintenance of the pump or the motor; (c) tampering with the pump or the motor by unauthorized repair personnel.
4. The manufacturer's sole obligation hereunder shall be to replace or repair any defective pump or motor. The manufacturer reserves the absolute right to determine whether any defective pump or motor should be replaced or repaired.
5. Any customer who wishes to make a claim under this Limited Warranty shall notify the manufacturer of such claim by telephone or by mail. After the customer has been authorized to return a defective pump or motor, the customer must return the pump or motor to the manufacturer at 8125 Bayberry Road, Jacksonville, Florida 32256. Any goods returned to the manufacturer without prior authorization will be returned to the shipper unopened. The

manufacturer shall not bear any costs or risks incurred in shipping a defective pump or motor to the manufacturer or in shipping a repaired or replaced pump or motor to a customer.

6. The manufacturer will charge customers for all nonwarranty work which it may perform. Warranty work will not be performed until the customer has accepted the price quoted.
7. EXCEPT AS SPECIFICALLY SET FORTH ABOVE, NO OTHER WARRANTIES, WHETHER EXPRESSED OR IMPLIED, INCLUDING, WITHOUT LIMITATION, THE IMPLIED WARRANTIES OF MERCHANTABILITY AND FITNESS FOR A PARTICULAR PURPOSE, ARE MADE BY THE MANUFACTURER. IN NO EVENT WILL THE MANUFACTURER BE LIABLE FOR ANY LOSS, INCLUDING TIME, MONEY, GOODWILL, LOST PROFITS AND CONSEQUENTIAL DAMAGES BASED ON CONTRACT, TORT OR OTHER LEGAL THEORY, WHICH MAY ARISE HEREUNDER OR FROM THE USE, OPERATION OR MODIFICATION OF THE PUMP, MOTOR OR ASSOCIATED PARTS, THE MAXIMUM LIABILITY OF THE MANUFACTURER HEREUNDER SHALL NOT EXCEED THE AMOUNT ACTUALLY PAID BY THE CUSTOMER FOR THE PUMP, MOTOR, AND ASSOCIATED PARTS.
8. Some states do not permit limitations on the terms of implied warranties or on the recovery of incidental or consequential damages. Accordingly, the limitations contained in paragraph 7 may not apply to certain customers.
9. This warranty gives customers specific legal rights. Customers may have other rights which vary from state to state.

Date of Installation _____ Installed By _____ For Service Call _____