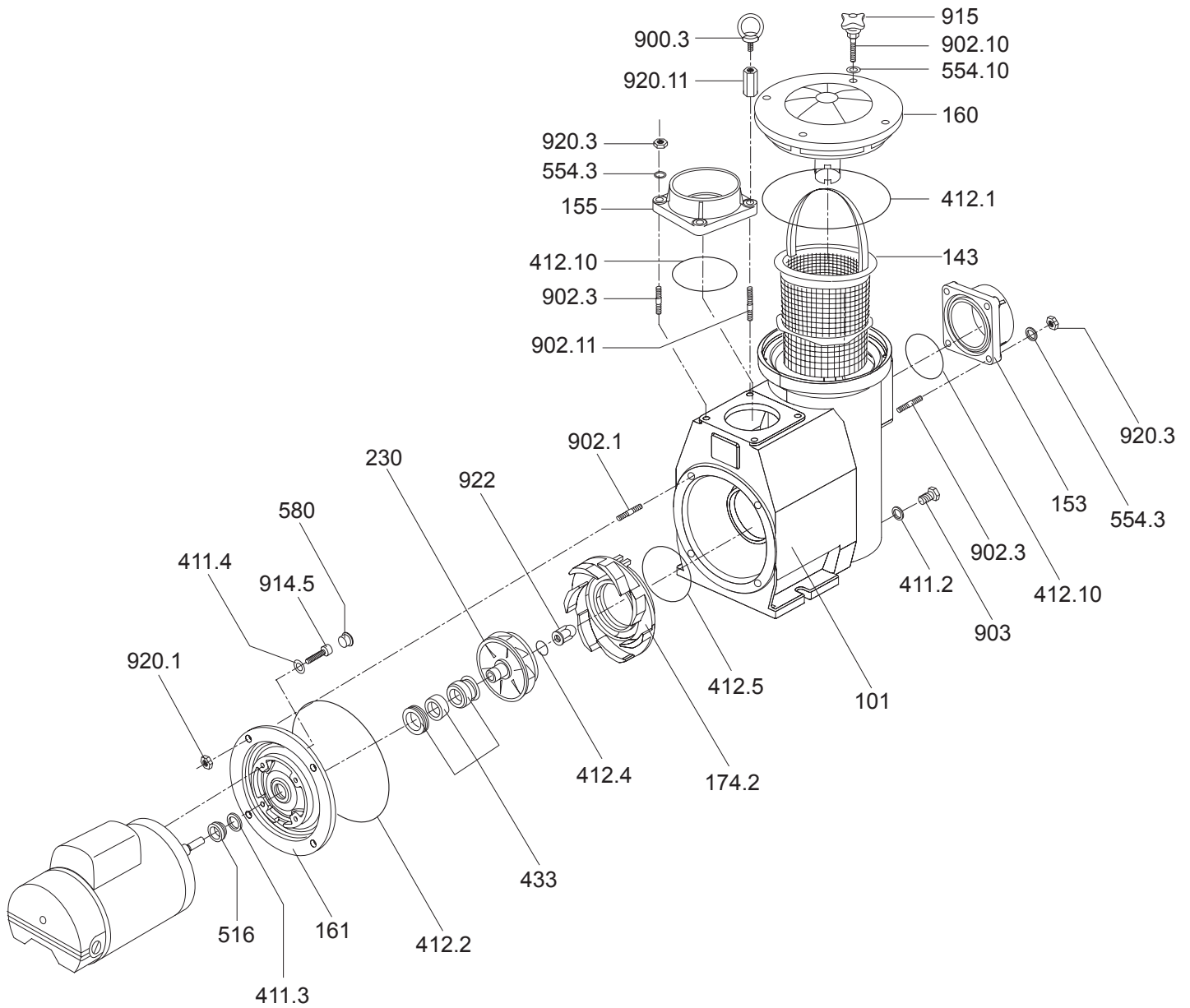


MODEL 93

Swimming Pool Pump



MODEL 93

Swimming Pool Pump



PART NUMBER	DRAWING NUMBER	QTY	DESCRIPTION	LIST PRICE
2923592200	922	1	NUT - IMPELLER M12	13.20
2921892011	920.11	1	NUT - EYE BOLT COUPLING M12	20.90
5879341200	920.3	8	NUT - ADAPTOR M12	4.90
5879341200	920.1	4	NUT - SEAL HOUSING M12	4.90
2920191509	915	4	KNOB - LID M8	39.70
5829100019	903	1	PLUG - CASING DRAIN, BRASS (3/4")	92.70
5879391250	902.11	1	STUD - EYE BOLT M12 x 50mm	30.80
5879390845	902.10	4	STUD - LID M8 x 45mm A2	17.90
5879391240	902.3	7	STUD - ADAPTOR M12 x 40mm	27.90
5879391225	902.1	4	STUD - CASING M12 x 25mm	23.00
2921890030	900.3	1	EYE BOLT M12	37.80
2920741110	580	4	CAP - MOTOR BOLT, PLASTIC	0.80
5809021089	554.10	4	WASHER - LID BOLT A8.4	2.00
5871251200	554.3	8	WASHER - ADAPTOR BOLT A13	2.60
2923151601	516	1	V-RING 18mm	7.70
2920343310	433	1	MECHANICAL SEAL (20mm) COMPLETE	45.50
2921841210	412.10	2	O-RING - FLANGE ADAPTOR 120 x 7mm	46.20
2901341220	412.5	1	O-RING - DIFFUSER 105 x 5mm	3.00
2923541229	412.4	1	O-RING - SHAFT 16.9 x 2.75mm VITON	4.10
2926241210	412.2	1	O-RING - CASING 185 x 4mm	48.90
2920941210	412.1	1	O-RING - LID 185 x 6mm	13.70
5879120820	914.5	4	BOLT - MOTOR, ALLEN M8 x 20mm	3.00
2920741100	411.4	4	GASKET - MOTOR BOLT, PLASTIC	2.10
2923141240	411.3	1	SHAFT WASHER 14/22	0.80
5829110013	411.2	1	GASKET - DRAIN PLUG IT	5.10
2923623023	230	1	IMPELLER (VII) 4.0 HP S.F. 1.0 125 / 12mm	116.40
2923223014	230	1	IMPELLER (VIII) 4.0 HP S.F. 1.25 113-122 / 20mm	68.80
2923223036	230	1	IMPELLER (IX) 6.0 HP S.F. 1.0 119-122 / 20mm	68.80
2921817403	174.2	1	DIFFUSER (MODEL 93-VII)	945.70
2929317400	174.2	1	DIFFUSER (MODEL 93-VIII & MODEL 93-IX)	876.40
2921816111	161	1	SEAL HOUSING	1,358.50
2920916009	160	1	LID WITH SPACER	625.90
2921815300	153, 155	2	FLANGE 4"	123.20
2920914300	143	1	BASKET - COMPLETE	45.10
2921810101	101	1	CASING - BRONZE	6,770.00

PARTS UNIQUE TO THE MODEL 93 SHIPPED PRIOR TO MARCH, 2000

2923800010	230.1, 922, 412.4	1	IMPELLER UPGRADE - IMPELLER W / NUT & O-RING	133.80
2923800020	230.1, 922, 412.4	1	IMPELLER UPGRADE - IMPELLER W / NUT & O-RING	86.20
2923800030	230.1, 922, 412.4	1	IMPELLER UPGRADE - IMPELLER W / NUT & O-RING	86.20
2923541220	412.4	1	O-RING - SHAFT 12 x 2.5mm	0.50
2923592300	922	1	NUT - IMPELLER M12	8.00