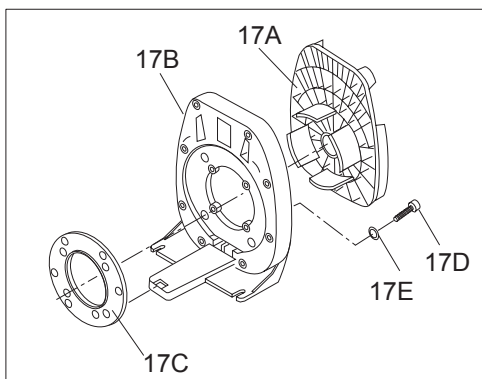
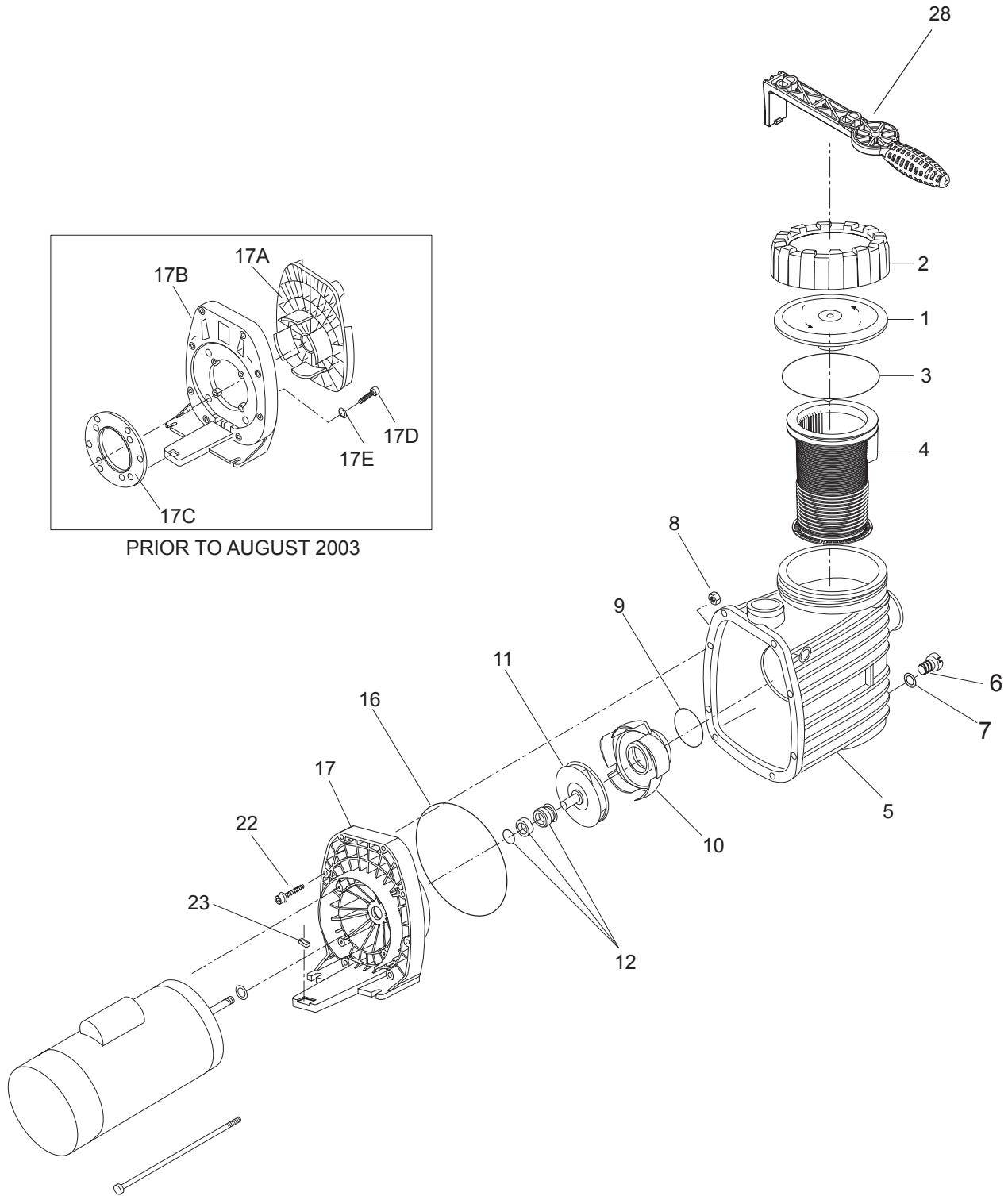


# MODEL E90

Swimming Pool Pump



PRIOR TO AUGUST 2003



# MODEL E90

Swimming Pool Pump



PART NUMBER	DRAWING NUMBER	QTY REQUIRED	DESCRIPTION	LIST PRICE
2901116020	1	1	LOCK RING - LID	\$ 17.60
2901116010	2	1	LID - CLEAR	16.40
2921141215	3	1	O-RING - LID 135 x 5mm	4.30
2901114300	4	1	BASKET - ONE PIECE	14.20
2921110127	5	1	CASING	119.10
2923591201	6	1	PLUG - CASING DRAIN (1/4")	0.80
2920141240	7	1	O-RING - CASING DRAIN PLUG 11 x 2.5mm	1.00
2991300035	8	8	LOCKNUT - CASING BOLT, SERRATED (1/4-20") SS	0.90
2920141210	9	1	O-RING - DIFFUSER 90 x 5mm	2.80
2921117412	10	1	DIFFUSER	40.90
2921923091	11	1	IMPELLER (-I) 0.75 THP 99 / 4.5mm	44.10
2921923042	11.1	1	IMPELLER (-II) 1.0 THP 98 / 9mm	44.10
2921923093	11.2	1	IMPELLER (-III) 1.5 THP 106 / 9mm	44.10
2921923094	11.3	1	IMPELLER (-IV) 2.0 THP 111 / 9mm	57.30
2921606204	12	1	MECHANICAL SEAL (5/8") - CARBON/CERAMIC	12.30
2921141222	16	1	O-RING - CASING 190 x 6mm	8.60
2921116112	17	1	FLANGE/SEAL HOUSING	105.00
2991300032	22	8	BOLT - CASING, HEX/SLOT (1/4-20 x 2-1/8") SS	3.20
2920889410	23	3	LEGO SPACER	0.40

#### PARTS BELOW ARE UNIQUE TO THE MODEL E90 SHIPPED PRIOR TO AUGUST, 2003

2921916101	17A	1	SEAL HOUSING	25.70
2921111300	17B	1	FLANGE	34.60
2920110204	17C	1	MOTOR FLANGE - THRU BOLT	12.50
2991400019	17D	4	BOLT - FLANGE, HEX K6 x 30mm	1.40
2991400024	17E	4	WASHER - FLANGE BOLT (1/4") SS	0.30

#### OPTIONAL PARTS

2921157700	24	1	SPANNER - LID	11.50
------------	----	---	---------------	-------

#### REPLACEMENT MOTORS

PART NUMBER	MFR #	MODEL	THP	VOLTS	MOTOR/FRAME	SPEED	LIST PRICE
0819300300	BN80	-I	0.75	115/230	Cap Start 48	single	\$ 295.80
0819300400	BN81	-II	1.0	115/230	Cap Start 48	single	307.50
0819300500	BN82	-III	1.5	115/230	Cap Start 48	single	373.50
0818692500	BN83	-IV	2.0	115/230	Cap Start 48	single	419.30

All motors have a 3/8" thread stainless steel shaft