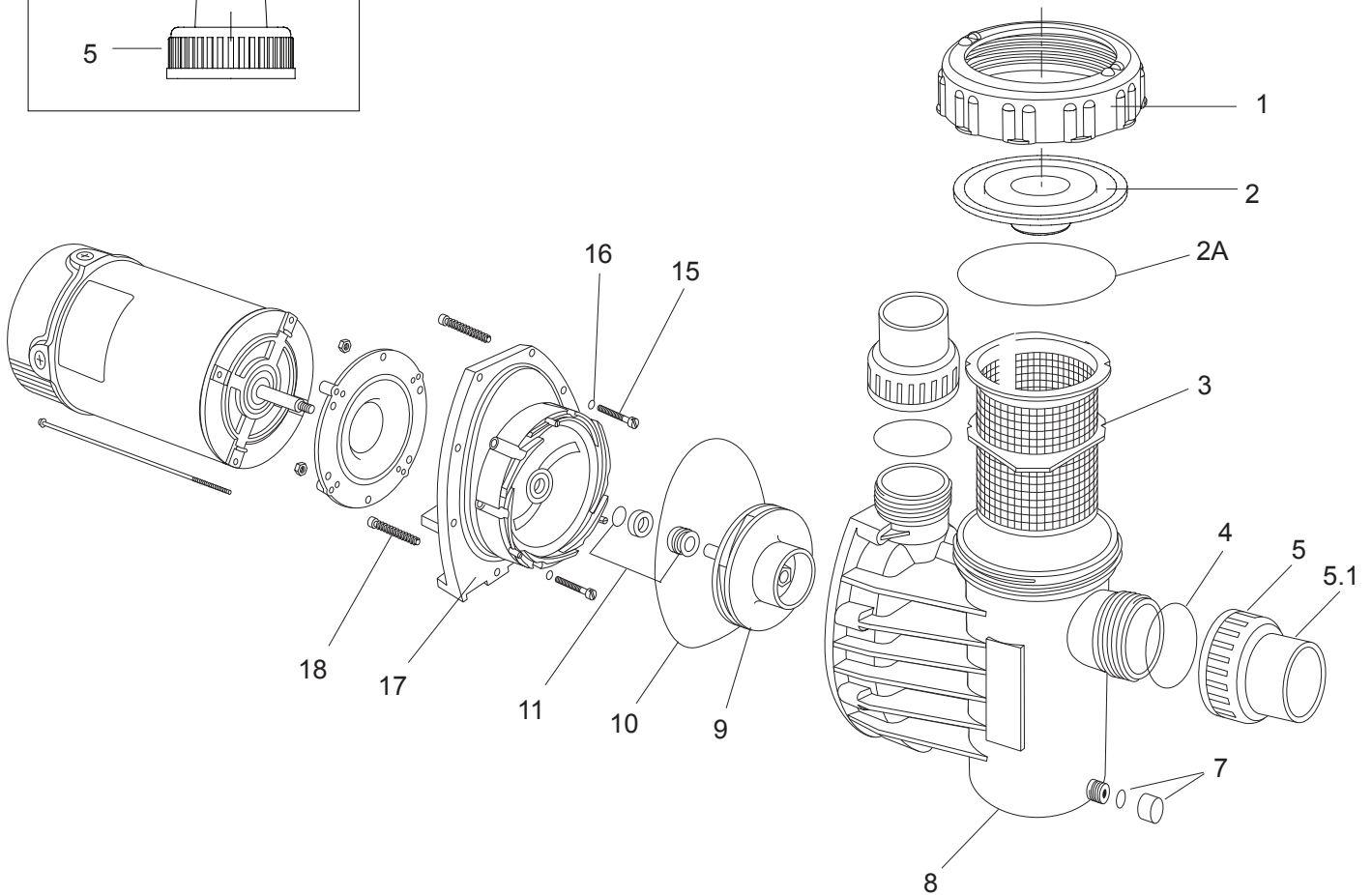
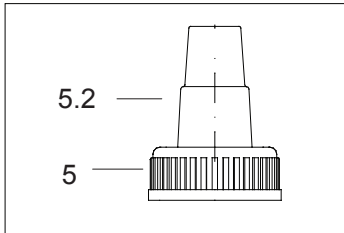


MODEL E91

Swimming Pool Pump



MODEL E91

Swimming Pool Pump



| PART NUMBER | DRAWING NUMBER | QTY | DESCRIPTION | LIST PRICE |
|-------------|----------------|-----|------------------------------------------------|------------|
| 2901316020 | 1 | 1 | LOCK RING - LID | 7.80 |
| 2901316010 | 2 | 1 | LID - CLEAR | 10.00 |
| 2901341220 | 2A | 1 | O-RING - LID 105 x 5mm | 3.00 |
| 2901314300 | 3 | 1 | BASKET - ONE PIECE | 8.70 |
| 2920241220 | 4 | 2 | O-RING - UNION 50 x 3mm | 2.20 |
| 2500310001 | 5 | 2 | NUT - UNION (SAWTOOTH) | 3.40 |
| 2500320148 | 5.1 | 2 | UNION END - 48.5mm (1.5" PIPE) | 4.30 |
| 2921672101 | 5.2 | 2 | UNION END - HOSE ADAPTOR (1.5" - 1.25") | 4.10 |
| 2500300910 | 4, 5, & 5.1 | 2 | UNION SET COMPLETE - SLIP | 6.50 |
| 2500300911 | 4, 5, & 5.2 | 2 | UNION SET COMPLETE - HOSE | 6.50 |
| 2500300912 | NOT SHOWN | 1 | UNION PACKAGE COMPLETE 1.5" (SLIP & HOSE) | 20.80 |
| 2901158200 | 7 | 1 | DRAIN CAP 3/8" WITH GASKET - CASING | 2.20 |
| 2921610100 | 8 | 1 | CASING | 45.50 |
| 2921623031 | 9 | 1 | IMPELLER 0.50 THP (0.75 HP SPL) 100 / 4.5mm | 17.10 |
| 2921623032 | 9.1 | 1 | IMPELLER (I) 0.75 THP (1.0 HP SPL) 100 / 6.5mm | 17.70 |
| 2921623033 | 9.2 | 1 | IMPELLER (II) 1.0 THP (1.5 HP SPL) 100 / 9mm | 17.70 |
| 2921641223 | 10 | 1 | O-RING - CASING 165 x 6mm | 6.40 |
| 2921606204 | 11 | 1 | MECHANICAL SEAL (5/8") - CARBON/CERAMIC | 12.00 |
| 2921616110 | 17* | 1 | FLANGE/SEAL HOUSING | 27.10 |
| 2991000091 | 18 | 8 | SCREW - CASING, HEX/WASHER/SLOT M7 x 48.4mm | 3.40 |
| 2920889420 | NOT SHOWN | 1 | GASKET (FOOT) | 0.60 |

* Part number 17 replaces part numbers 15, 16, 17, 19, and 20 on pumps shipped prior to 1998.

REPLACEMENT MOTORS

| PART NUMBER | MFR # | MODEL | THP | SPECIALLY RATED | | VOLTS | LIST PRICE |
|-----------------------------------------------------------------------------------|---------------|-------|------|-----------------|------|-------|------------|
| | | | | HP | S.F. | | |
| <u>SINGLE SPEED, 48 FRAME, 3/8" SHAFT, SPLITPHASE MOTOR (WITHOUT BASE)</u> | | | | | | | |
| 8752OTAA11U | 8752OTA-A11U | | 0.50 | | | 115 | 163.30 |
| S55NXPTT8267 | S55NXPTT-8267 | -I | 0.75 | 1.0 | SPL | 115 | 208.30 |
| S55CXPTU8268 | S55CXPTU-8268 | -II | 1.0 | 1.5 | SPL | 115 | 195.50 |
| <u>TWO SPEED, 48 FRAME, 3/8" SHAFT, SPLITPHASE MOTOR (WITHOUT BASE)</u> | | | | | | | |
| S48AC08D29 | S48AC08D29 | -I | 0.75 | 1.0 | SPL | 115 | 255.20 |
| C48AB35D29 | C48AB35D29 | -II | 1.0 | 1.5 | SPL | 115 | 269.00 |