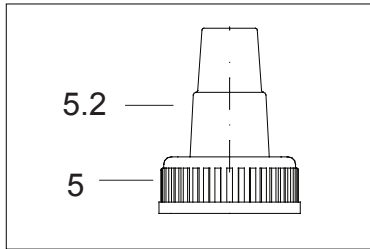
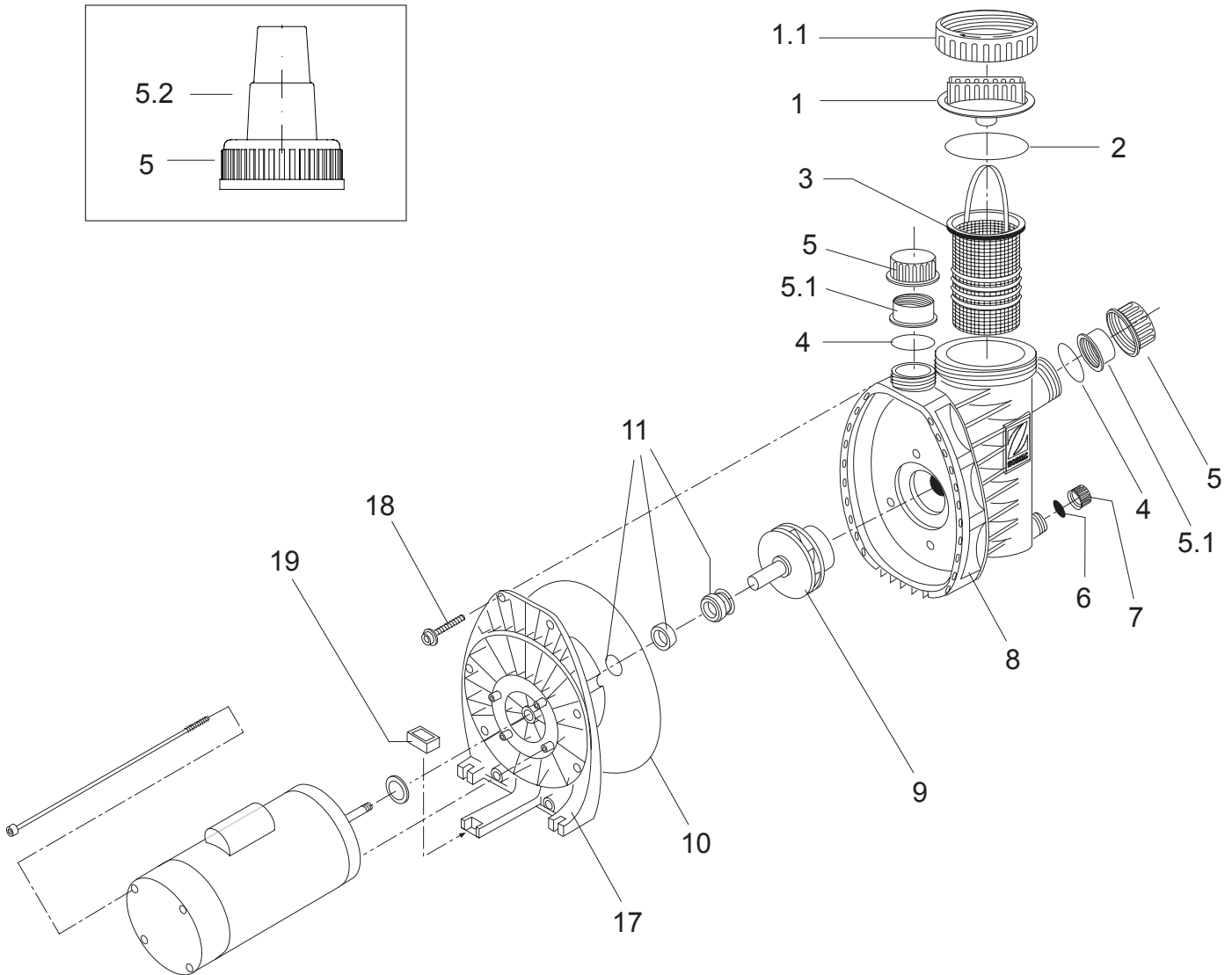


# MODEL ZODIAC ME

Swimming Pool Pump



# MODEL ZODIAC ME

Swimming Pool Pump



PART NUMBER	DRAWING NUMBER	QTY	DESCRIPTION	LIST PRICE
2901316010	1	1	LID - CLEAR	10.00
2901316020	1.1	1	RING - LID (BLACK)	7.80
2901341220	2	1	O-RING - LID 105 x 5mm	3.00
2901314300	3	1	BASKET - ONE PIECE	8.70
2920241220	4	2	O-RING - UNION 50 x 3mm	2.20
2500310001	5	2	NUT - UNION (SAWTOOTH)	3.40
2500320148	5.1	2	UNION END (1.5" SLIP) 48.5mm (OPTIONAL)	4.30
2921672101	5.2	2	UNION END - HOSE ADAPTOR (1.5"-1.25")	4.10
2901158200	6 & 7	1	DRAIN CAP 3/8" WITH GASKET - CASING	2.20
2921610100	8	1	CASING - BLACK	45.50
2921623032	9	1	IMPELLER (E91-I) 0.75 HP S.F. 1.0 (1.0 HP SPL) 100 / 6.5mm	17.70
2921623033	9.1	1	IMPELLER (E91-II) 1.0 HP S.F. 1.0 (1.5 HP SPL) 100 / 9mm	17.70
2921641223	10	1	O-RING - CASING 165 x 6mm	6.40
2921606204	11	1	MECHANICAL SEAL (5/8") - CARBON/CERAMIC	12.00
2901616110	17	1	FLANGE/SEAL HOUSING	27.10
2991000091	18	8	BOLT - CASING HEX/SLOT M7 x 48mm SS	3.40
2920889420	19	1	GASKET (FOOT)	0.60