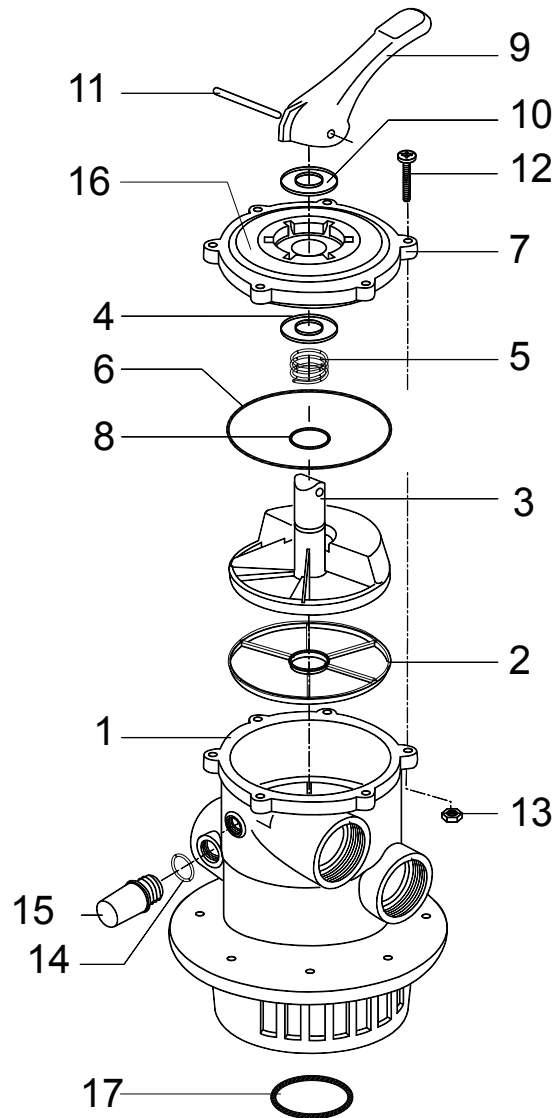


MODEL R40T

Multiport Valve



MODEL R40T

Multiport Valve



PART NUMBER	DRAWING NUMBER	QTY	DESCRIPTION	LIST PRICE
2607103000	1,2*	1	BODY ASSEMBLY WITH SPIDER GASKET 230mm	DISCONTINUED
2607104000	1,2*	1	BODY ASSEMBLY WITH SPIDER GASKET 220mm	DISCONTINUED
2603101002	2	1	GASKET - SPIDER	11.30
2603102000	3 - 11 & 16	1	KEY ASSEMBLY	135.20
2603102003	3	1	DIVERTER	30.00
2601002007	4	1	WASHER - SPRING, TEFLON 30 X 42 X 1mm	2.70
2603102006	5	1	SPRING 1.4310 S.S.	10.40
2603102007	6	1	O-RING - COVER 134 x 4mm	4.40
2603102008	7	1	COVER	49.60
2603102009	8	1	O-RING - DIVERTER STEM 21.81 X 3.53mm	0.40
2603102010	9	1	HANDLE	4.40
2603102111	10	2	WASHER - HANDLE, NYLON 29 x 52 x 2mm	2.70
2603102012	11	1	DRIVE PIN	1.40
5879850635	12	6	BOLT - COVER/BODY, PHILLIPS M6 x 35mm S.S.	4.70
5879340600	13	6	NUT - COVER/BODY BOLT M6 SS	0.70
2603101015	14	1	O-RING - SIGHTGLASS 25 x 5mm	1.00
2603101016	15	1	SIGHTGLASS	4.20
2603102020	16	1	VALVE LABEL	2.00
2607101119	17	1	O-RING - STANDPIPE 48 x 4.5mm	4.40
2607300000	1 - 17	1	MULTIPORT VALVE COMPLETE R40T T/E	DISCONTINUED
7300002062	NOT SHOWN	1	GAUGE - BOTTOM MOUNT	9.80

*Specify flange diameter 220mm (8 2/3") or 230mm (9/16").

Filters, 18" with valve serial numbers lower than 71737 is 220mm (manufactured prior to 1/94).

Filters, 25" with valve serial numbers lower than 71251 is 220mm (manufactured prior to 1/94).