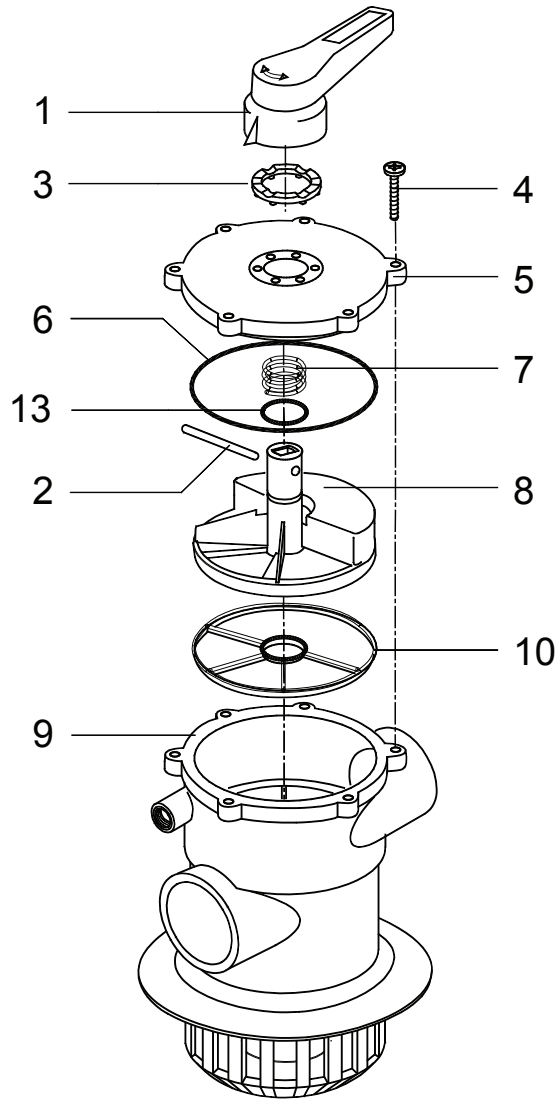


MODEL T40

Multiport Valve



MODEL T40

Multiport Valve



PART NUMBER	DRAWING NUMBER	QTY	DESCRIPTION	LIST PRICE
2620000700	1	1	HANDLE	5.90
2603102012	2	1	DRIVE PIN	1.40
2620000500	3	1	RING - POSITIONING	2.40
5879005020	4	6	TAPPING SCREW - COVER PILLIPS 5 x 20mm	0.80
2620001001	5	1	COVER	13.30
2620001015	6	1	O-RING - COVER 117 x 4mm	3.50
2620003010	7	1	SPRING	7.10
2620003020	8, 10, 13	1	DIVERTER AND SPIDER GASKET ASSEMBLY	20.30
2620901991	9	1	HOUSING COMPLETE	73.20
2620003015	13	2	O-RING - DIVERTER STEM 23 x 3mm	0.40
2620900000	1 - 13	1	VALVE COMPLETE	123.30
2620901990	1 - 8, 10, 13	1	KEY ASSEMBLY	53.80
7300002062	NOT SHOWN	1	GAUGE - BOTTOM MOUNT	9.80