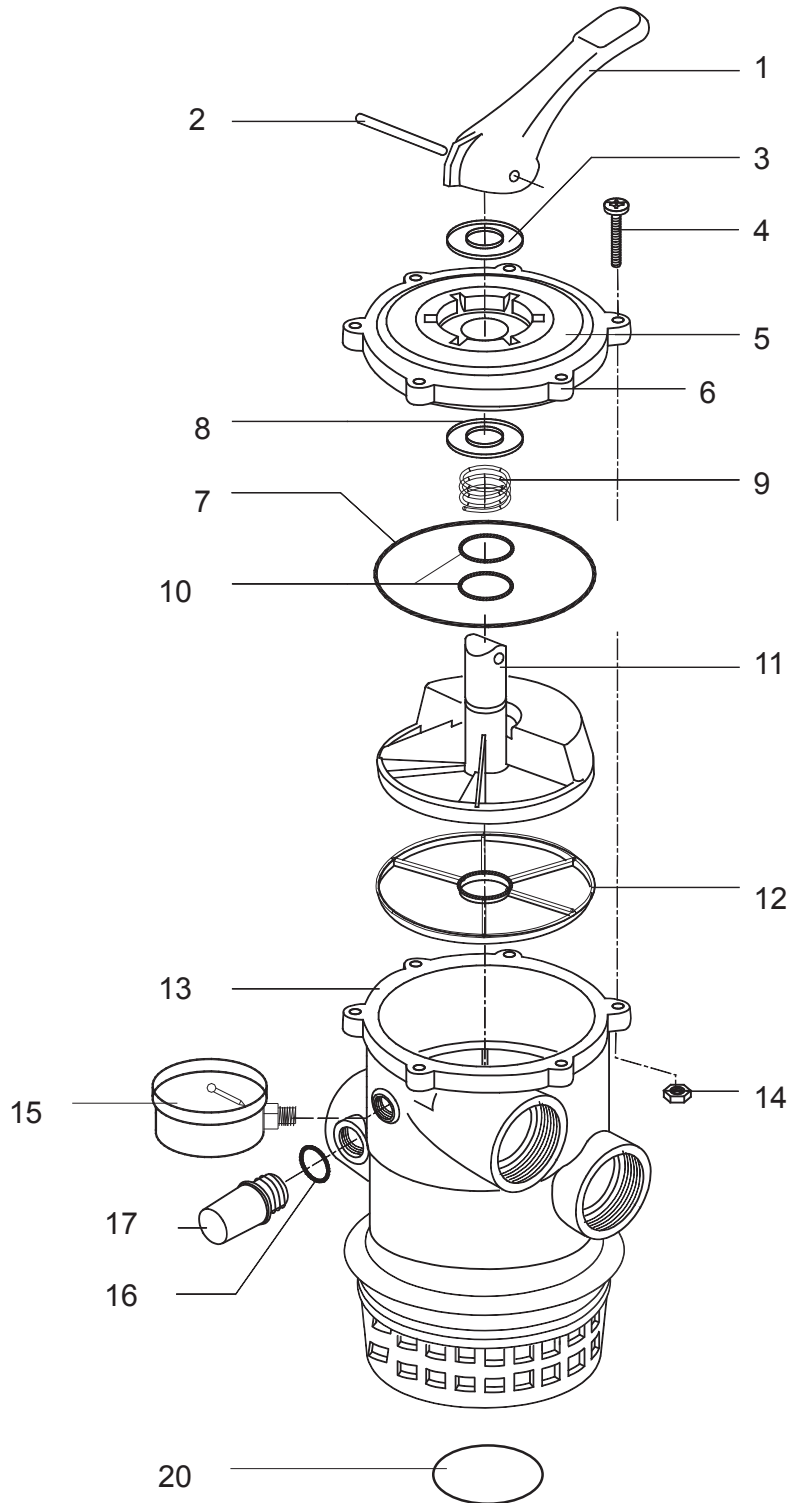


MODEL TM-12-L

Multiport Valve



MODEL TM-12-L

Multiport Valve



PART NUMBER	DRAWING NUMBER	QTY REQUIRED	DESCRIPTION	LIST PRICE
730000E1T1	1	1	HANDLE	\$ 4.50
730000E2T1	2	1	DRIVE PIN	1.40
730000E3T1	3	1	WASHER - HANDLE	4.00
730000E4T1	4	6	BOLT - KEY/BODY, PHILLIPS M6 x 35mm SS	4.80
730000E5T1	5	1	LABEL - VALVE	2.80
730000E6T1	6	1	COVER	36.50
730000E7T1	7	1	O-RING - COVER	4.00
730000E8T1	8	1	WASHER - SPRING	4.00
730000E9T1	9	1	SPRING	18.20
73000E10T1	10	2	O-RING - DIVERTER STEM	3.30
73000E11T1	11	1	DIVERTER	36.50
73000E12T1	12	1	GASKET - SPIDER	11.60
73000E13T1	13	1	BODY - VALVE	84.30
73000E14T1	14	6	NUT - KEY/BODY M6 SS	4.00
7300002062	15	1	GAUGE - BOTTOM MOUNT	9.60
73000E16T1	16	1	O-RING - SIGHT GLASS	0.80
73000E17T1	17	1	SIGHT GLASS	2.80
73000E20T1	20	1	O-RING - STANDPIPE	2.50
7300002080	(1-20)	1	VALVE COMPLETE (TM-12-L)	191.10
73000E50T1	(1-3/5-11)	1	KEY ASSEMBLY	95.20
73000E55T1	(12 &13)	1	BODY ASSEMBLY	111.10
73000E15T1	NOT SHOWN	1	PLUG - 1/4" WHITE ABS	4.80