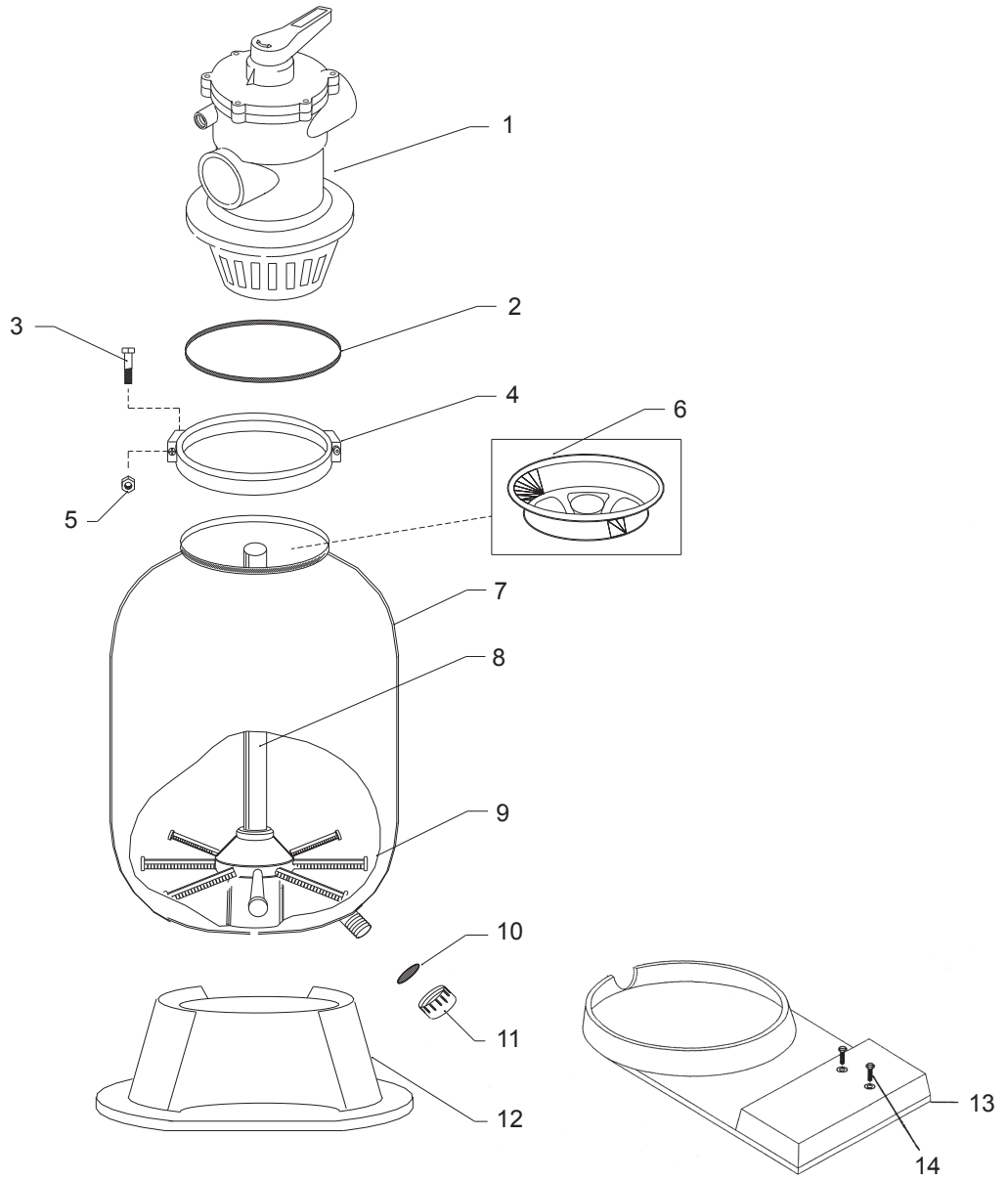


MODEL AS

Sand Filters



SYSTEM BASE (FILTER AND PUMP)

MODEL AS

Sand Filters



PART NUMBER	DRAWING NUMBER	QTY REQUIRED	DESCRIPTION	LIST PRICE
7300002080	1	1	VALVE COMPLETE (TM-12-L) FILTER ONLY	\$ 191.10
7300002006	2	1	O-RING - TANK	10.00
5879850635	3	2	BOLT - V CLAMP M6 x 35mm SS	4.80
7300020611	4	1	V CLAMP	27.90
7300020611K	(2-5)	1	V CLAMP ASSEMBLY CPL WITH HARDWARE & O-RING	37.70
5879340600	5	2	NUT - V CLAMP BOLT M6 SS	0.70
7300002024	6	1	PROTECTIVE FILLER CAP	3.00
7300001604	7	1	TANK - 16"	366.80
7300002001	7.1	1	TANK - 21"	430.20
7300002201	7.2	1	TANK - 25"	540.90
730002016A	8	1	HUB WITH STANDPIPE - 16"	99.60
730002040A	8.1	1	HUB WITH STANDPIPE - 21"	143.40
730002150A	8.2	1	HUB WITH STANDPIPE - 25"	109.50
730002045A	9	8	LATERAL - 4" FOR 16" & 21" TANK	6.10
730002145A	9.1	8	LATERAL - 7" FOR 25" TANK	6.20
7300002123	10	1	GASKET - TANK DRAIN 16"	3.00
7300002122	10.1	1	GASKET - TANK DRAIN 21" & 25"	3.00
7300002022	11	1	CAP - TANK DRAIN 16"	4.20
7300002021	11.1	1	CAP - TANK DRAIN 21" & 25"	4.70
7300002100	12	1	FILTER PEDESTAL	50.70
73002110RT	NOT SHOWN	1	MODULAR SYSTEM BASE (FILTER AND PUMP)	24.70
73-BASE-00	13	1	SYSTEM BASE (FILTER AND PUMP)	66.20
2991000054	14	2	BOLT - PUMP BASE 1/4-20 x 3/4"	0.90
7300002062	NOT SHOWN	1	GAUGE - BOTTOM MOUNT	10.10

PUMP TO FILTER PLUMBING PACKAGES COMPLETE

0001409116	NOT SHOWN	1	PLUMBING ASSEMBLY - E91-I & A91-I / 16" FILTER	21.90
0001409120	NOT SHOWN	1	PLUMBING ASSEMBLY - E91-II & A91-II / 21" FILTER	21.90
0001409016	NOT SHOWN	1	PLUMBING ASSEMBLY - E90-I / 16" FILTER	42.30
0001409020	NOT SHOWN	1	PLUMBING ASSEMBLY - E90-II / 21" FILTER	42.30
0001409024	NOT SHOWN	1	PLUMBING ASSEMBLY - E90-III / 25" FILTER	49.00

POOL TO EQUIPMENT HOSES AND PARTS

0001000009	NOT SHOWN	2	HOSE WITH CUFFS 1.5" x 6'	24.80
0001000010	NOT SHOWN	4	CLAMP 1-1/16" x 2" SS	4.40
0001070000	NOT SHOWN	1	ADAPTOR - HOSE 1.5" MPT x 1.5" / 1.25"	4.30

MODEL AS - BIO FILTER

0001000003	NOT SHOWN	8	LATERAL - SPECIFY MODEL	3.20
0001000024	NOT SHOWN	1	STANDPIPE WITH HUB - SPECIFY MODEL	15.80