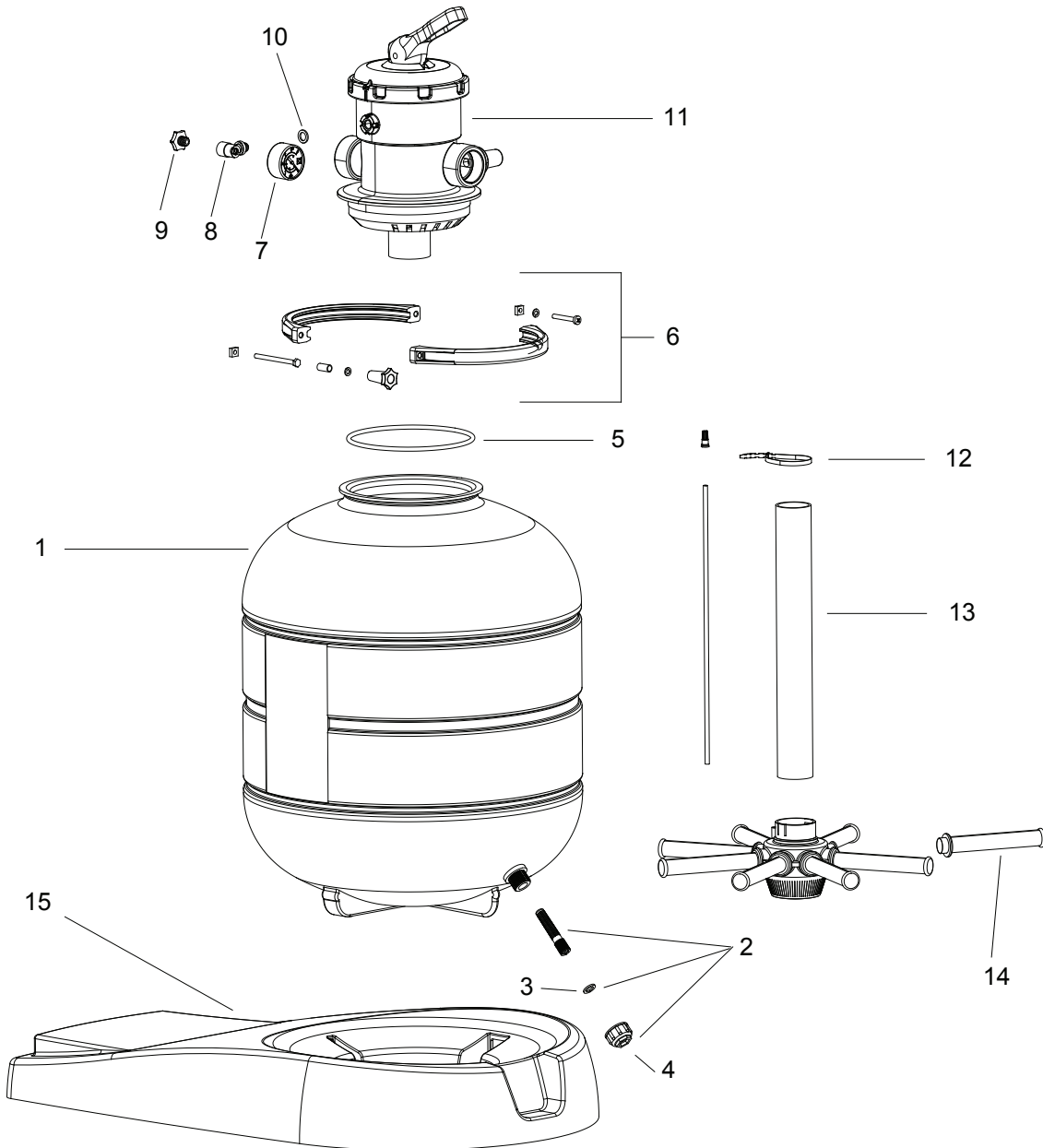


AS SERIES (WITH 7 POSITION VALVE)

Sand Filters



AS SERIES (WITH 7 POSITION VALVE)

Sand Filters



PART NUMBER	DRAWING NUMBER	QTY REQUIRED	DESCRIPTION	LIST PRICE
0241810100	1	1	TANK - 17"	\$ 447.10
0241820100	1.1	1	TANK - 19"	491.60
0241830100	1.2	1	TANK - 22"	581.10
0241810004	2	1	DRAIN PLUG - (3/8") COMPLETE	7.40
0241810006	3	1	GASKET - DRAIN PLUG	2.70
0157800602	4	1	PLUG - DRAIN	3.60
7201750057	5	1	O-RING - VALVE/TANK	16.40
0241821003	6	1	V CLAMP - COMPLETE	81.50
0225030050	7	1	GAUGE - PRESSURE	39.70
00555R0401	8	1	ADAPTOR - TEE	8.80
074065008A	9	1	PLUG - AIR RELIEF	5.90
004700319N	10	1	GASKET - PRESSURE GAUGE	3.00
7300022358	11	1	VALVE - MULTIPORT 1.5" NPT	204.70
0241820007	12	1	FLANGE - STANDPIPE	2.70
0225030017	13	1	STANDPIPE - 17" TANK	79.70
0225050017	13.1	1	STANDPIPE - 19" TANK	83.20
0225070017	13.2	1	STANDPIPE - 22" TANK	87.50
7300000627	14	8	LATERAL - 160mm (FOR 19" & 22" TANK)	4.80
7300000628	14.1	8	LATERAL - 110mm (FOR 17" TANK)	4.80
19460R0001	15	1	BASE - SYSTEM (FOR PUMP & 17" TANK)	157.30
24182R0001	15.1	1	BASE - SYSTEM (FOR PUMP & 19" TANK)	179.90
24183R0001	15.2	1	BASE - SYSTEM (FOR PUMP & 22" TANK)	190.90
24181R0005	NOT SHOWN	1	ADAPTOR - SYSTEM BASE (FOR 17", 19" & 22" TANK)	18.60
04584R0102	NOT SHOWN	1	BASE - FILTER (FOR 17" TANK)	78.70
04585R0102	NOT SHOWN	1	BASE - FILTER (FOR 19" & 22" TANK)	112.10
MODEL AS - BIO FILTER				
0001000003	NOT SHOWN	8	LATERAL - SPECIFY MODEL	3.20
0001000024	NOT SHOWN	1	STANDPIPE WITH HUB - SPECIFY MODEL	15.80