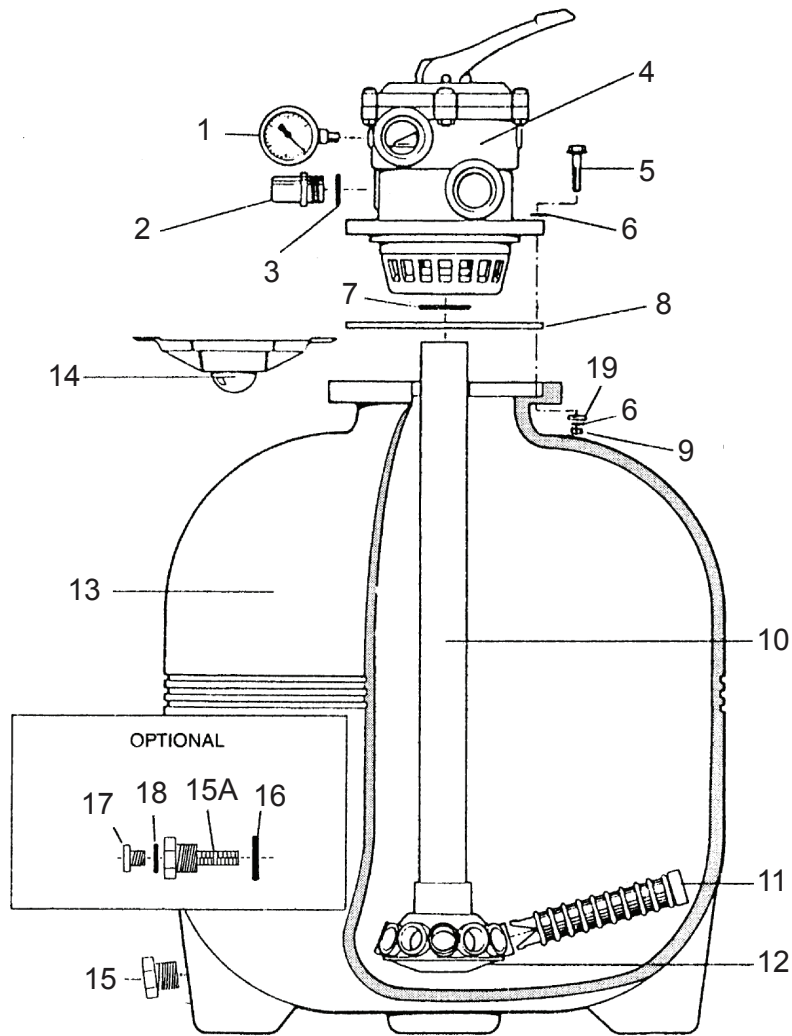


AQ SERIES

Sand Filters



| PART NUMBER | DRAWING NUMBER | QTY | DESCRIPTION | LIST PRICE |
|-------------|----------------|-----|---|--------------|
| 7300002062 | 1 | 1 | GAUGE - BOTTOM MOUNT | 9.80 |
| 2603101016 | 2 | 1 | SIGHT GLASS | 4.20 |
| 2603101015 | 3 | 1 | O-RING - SIGHT GLASS 25 x 4mm | 1.00 |
| 2607300000 | 4 | 1 | VALVE 6 POSITION (MODEL R40T) | DISCONTINUED |
| 2991000058 | 5 | 8 | BOLT - VALVE TO TANK, HEX 1/4-20 x 1-3/4" SS | 1.50 |
| 2991400024 | 6 | 16 | WASHER - VALVE TO TANK BOLT 1/4" SS | 0.30 |
| 2607101119 | 7 | 1 | O-RING - STANDPIPE TO VALVE 48mm x 5.5mm | 4.40 |
| 2926999999 | 8** | 1 | GASKET - TANK 220 x 170 x 5mm (PRIOR TO 1/94) | 12.50 |
| 2926999990 | 8** | 1 | GASKET - TANK 230 x 170 x 5mm (AFTER 1/94) | 12.50 |
| 2991000046 | 9 | 8 | NUT - VALVE TO TANK BOLT, 1/4-20 SS | 0.70 |
| 0001000003 | 11* | 8 | LATERAL COMPLETE WITH CAP | 3.10 |
| 0001000003 | 11A* | 12 | LATERAL COMPLETE (OPTIONAL) | 3.10 |
| 0001000024 | 10 & 12 | 1 | STANDPIPE COMPLETE WITH HUB & LID | 15.40 |
| 0000018003 | 13** | 1 | BODY - TANK 18" | DISCONTINUED |
| 0000025003 | 13** | 1 | BODY - TANK 25" | DISCONTINUED |
| 7000060000 | 14 | 1 | PROTECTIVE FILLER CAP | 4.70 |
| 7300052041 | 15 | 1 | PLUG - TANK DRAIN 1" | 6.00 |
| 7300052037 | 15A | 1 | PLUG - SAND STRAINER PLUG | DISCONTINUED |
| 0001000004 | 16 | 1 | O-RING - SAND STRAINER PLUG 32 x 5.5mm | 2.70 |
| 2923591201 | 17 | 1 | PLUG - DRAIN, SAND STRAINER PLUG 1/4" | 0.80 |
| 2920141240 | 18 | 1 | O-RING - PLUG, SAND STRAINER PLUG 11 x 2.5mm | 1.00 |
| 7000089500 | 19 | 2 | SUPPORT RING - VALVE TO TANK | 5.50 |
| 0001000019 | (15A - 18) | 1 | SAND PLUG COMPLETE - TANK DRAIN (OPTIONAL) Not Available - Replace with Part Number 15 | DISCONTINUED |

* PLEASE SPECIFY MODEL (180-18" OR 250-25") WHEN ORDERING THESE PARTS.

** Filters, 18" with valve serial number lower than 61701 is 220mm (manufactured prior to 1/94).

** Filters, 25" with valve serial number lower than 61581 is 220mm (manufactured prior to 1/94).