

# MODEL E71 VH

## Above-Ground Swimming Pool Pump



### Features

- This high performance, medium head pump comes complete with an industry standard Carbon/Ceramic 5/8" mechanical seal for convenient replacement.
- Pump parts are made of 100% recyclable plastic. Non-corrosive, chemical/UV resistant, and can withstand temperatures of up to 150°F.
- **ALL NEW:** Horizontal/Vertical discharge in one casing.
- Suction and discharge ports are equipped with hose adaptors. (Also available in 1.5" NPT/2" Slip quick disconnect unions)
- For pool users' safety, the impeller has a dielectric shaft sleeve that provides absolute separation between pool water and electric parts.
- Specially constructed clear lid with ring lock design is easy to open. Large strainer basket is always locked in place.
- Pump is equipped with durable, special 48 frame thru-bolt mount efficient PSC motor with stainless steel shaft.
- Pump has a standard 3 ft. 3/12 AWG cord set pre-mounted. A variety of other cord sets are available.
- Reusable o-rings throughout.
- The Model E71 comes complete with a full 12 month warranty.
- Every pump is performance tested before leaving the Speck factory.



Model E71-III VH

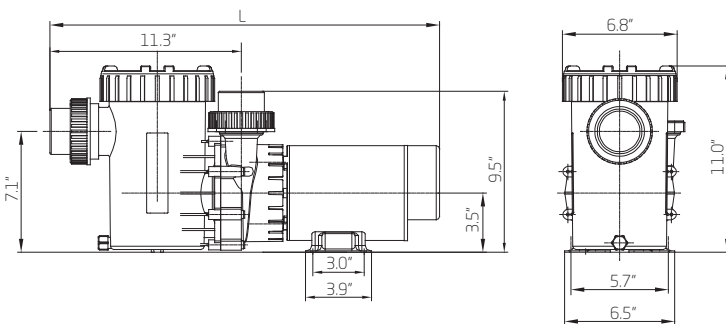
### Trademarks and Certifications



### Applications

- Perfect for above-ground & on-ground pools

### Dimensional Drawing



MODEL	DIMENSION "L"	SHIPPING WEIGHT
E71-I	21.0"	30 lbs.
E71-II	21.5"	33 lbs.
E71-III	23.0"	34 lbs.

### Performance Curves

