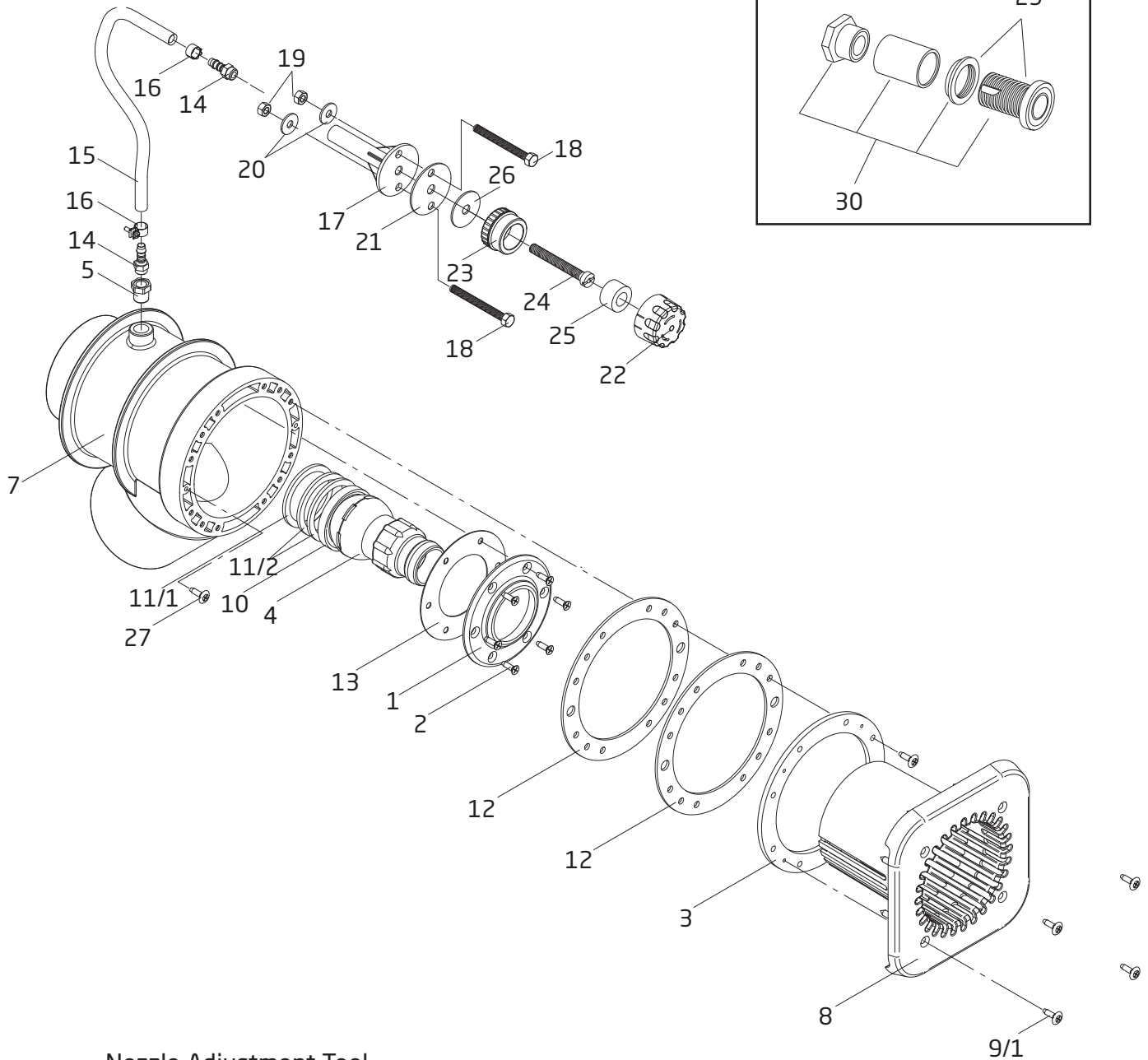
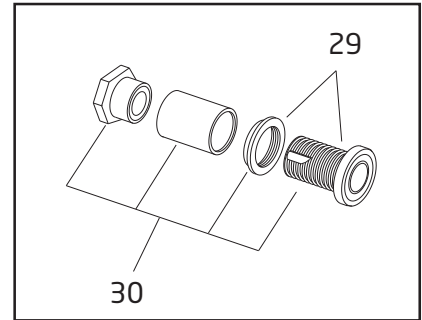
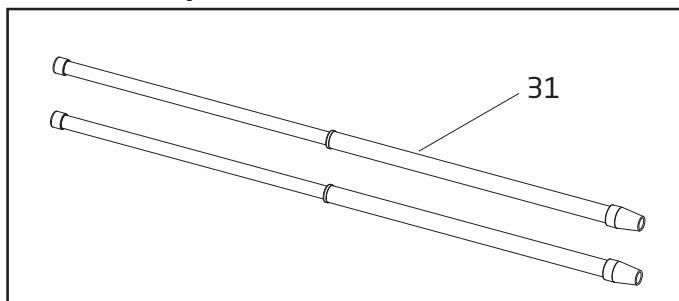


Air Button



Nozzle Adjustment Tool



## SwimJet System

Order #	Drawing Number	Qty Required	Description	List Price
2306002009	1	1	FACE RING - NOZZLE	\$ 29.10
5879006021	2	6	THREAD CUTTING SCREW - FACE RING K60 x 20 A2	3.10
2308762004	3	1	RING - CLAMPING	23.60
2302002857	4	1	NOZZLE - ADJUSTABLE FLOW 40mm	28.00
2308761001A	5 & 7	1	HOUSING WITH BUSHING REDUCER 16 x 1/4"	175.40
2308750003	8	1	COVER - SQUARE WHITE	67.20
5879650625	9/1	4	SCREW - SQUARE COVER, PHILLIPS/PAN M6 x 25mm	2.20
2991000077	9/2	8	SCREW - CLAMPING RING, PHILLIPS FLAT HEAD M6 x 20mm	0.70
5879650625	9/3	8	SCREW - CLAMPING RING, PHILLIPS/PAN M6 x 25mm	2.20
5879650640	9/4	8	SCREW - CLAMPING RING, PHILLIPS/PAN M6 x 40mm	2.60
2991000038	9/5	4	SCREW - SQ.COVER (EXT. RING) SLOT/PAN M6 x 45mm	2.20
2302002056	10	1	SEAT - NOZZLE	7.50
2302002057	11/1	1	SPACER - NOZZLE 6.2mm	6.40
2302002157	11/2	2	SPACER - NOZZLE 4mm	4.10
2308750005	12	2	GASKET - CLAMPING RING	15.90
2306002013	13	1	GASKET - FACE RING	7.10
2303004000	(14-21)	1	HOLDER WITH HOSE SUBASSEMBLY	86.50
2301001005	14	2	NIPPLE - HOSE, AIR REGULATOR, PLASTIC 1/4"	5.00
2301001007	15	1	HOSE - AIR REGULATOR, PLASTIC 8 x 3mm	7.90
2301001008	16	2	CLAMP - HOSE, AIR REGULATOR 14/9 SS A4	5.40
2301001009	17	1	HOLDER - AIR REGULATOR	30.00
2991000049	18	2	SCREW - AIR HOLDER, SLOT/PAN 1/4-20 x 1-1/2"	1.70
2991000052	19	2	NUT - AIR HOLDER, HEX NUT 1/4-20 SS	0.60
2991400024	20	2	WASHER - AIR HOLDER 1/4" SS	0.40
2301001013	21	1	GASKET - AIR HOLDER 60 x 11 x 2mm	1.90
2301002000	(22-26)	1	AIR REGULATOR (SUB-ASSEMBLY COMPLETE) - WHITE	55.20
2301002021	22	1	TOP PART - AIR REGULATOR - WHITE	15.20
2301002022	23	1	BOTTOM PART - AIR REGULATOR - WHITE	10.90
2301002023	24	1	SCREW W/HOLE - AIR REGULATOR, BRASS M10 x 80	23.20
2301002024	25	1	RING - HOSE, AIR REGULATOR 16 x 30 x 18mm	4.50
2301002025	26	1	GASKET - AIR REGULATOR 42 x 11 x 2mm	3.50
2991000059	27	2	THREAD CUTTING SCREW - JET HOUSING, PHILLIPS/PAN 14 x 1	1.20
2304910010	NOT SHOWN	1	RING - EXTENSION, JET HOUSING (FLANGE)	25.10
7400000026	29	1	#10 AIR BUTTON	37.40
7400000027	NOT SHOWN	50'	AIR TUBE 1/8" x 1' (PRICE PER FOOT)	0.60
7400000062	30	1	AIR BUTTON WITH CONCRETE ADAPTOR	40.60
2920280729	NOT SHOWN	1	CONTROL BOX - BJC-7-GFCI+CP (FOR BADUSTREAM II PACKAGE A, B, AND C)	1,264.00
2920280736	NOT SHOWN	1	CONTROL BOX - BJC-7-GFCI-P2+CP (FOR BADUSTREAM II PACKAGE D)	1,373.00

### Optional Parts For The BaduStream II

2308752006K	NOT SHOWN	1	WINTER COVER KIT - cover, gasket and 4 screws	39.50
2308750003B	8.1	1	COVER - SQUARE BLACK	65.10
2308760004	NOT SHOWN	1	COVER - ROUND WHITE	65.10
2308760004B	NOT SHOWN	1	COVER - ROUND BLACK	65.10
2308760004G	NOT SHOWN	1	COVER - ROUND GRAY	65.10
2301002000B	(22.1-26)	1	AIR REGULATOR (SUB-ASSEMBLY COMPLETE) - BLACK	55.20
2301002029	22.1	1	TOP PART - AIR REGULATOR - BLACK	15.20
2301002028	23.1	1	BOTTOM PART - AIR REGULATOR - BLACK	10.90
2308750006	NOT SHOWN	1	BUTTERFLY GASKET - CLAMPING RING	20.80
2300022010	NOT SHOWN	1	CAP - NOZZLE & HAND GRIP, CLOSE OFF	68.60
2300003010	NOT SHOWN	1	MESSAGE HOSE 5 FT. WITH PULSATOR & HAND GRIP	181.60
2300003310	NOT SHOWN	1	MESSAGE HOSE 15 FT. WITH PULSATOR & HAND GRIP	286.80
2308799007	31	1	KIT - NOZZLE ADJUSTMENT TOOL	48.00