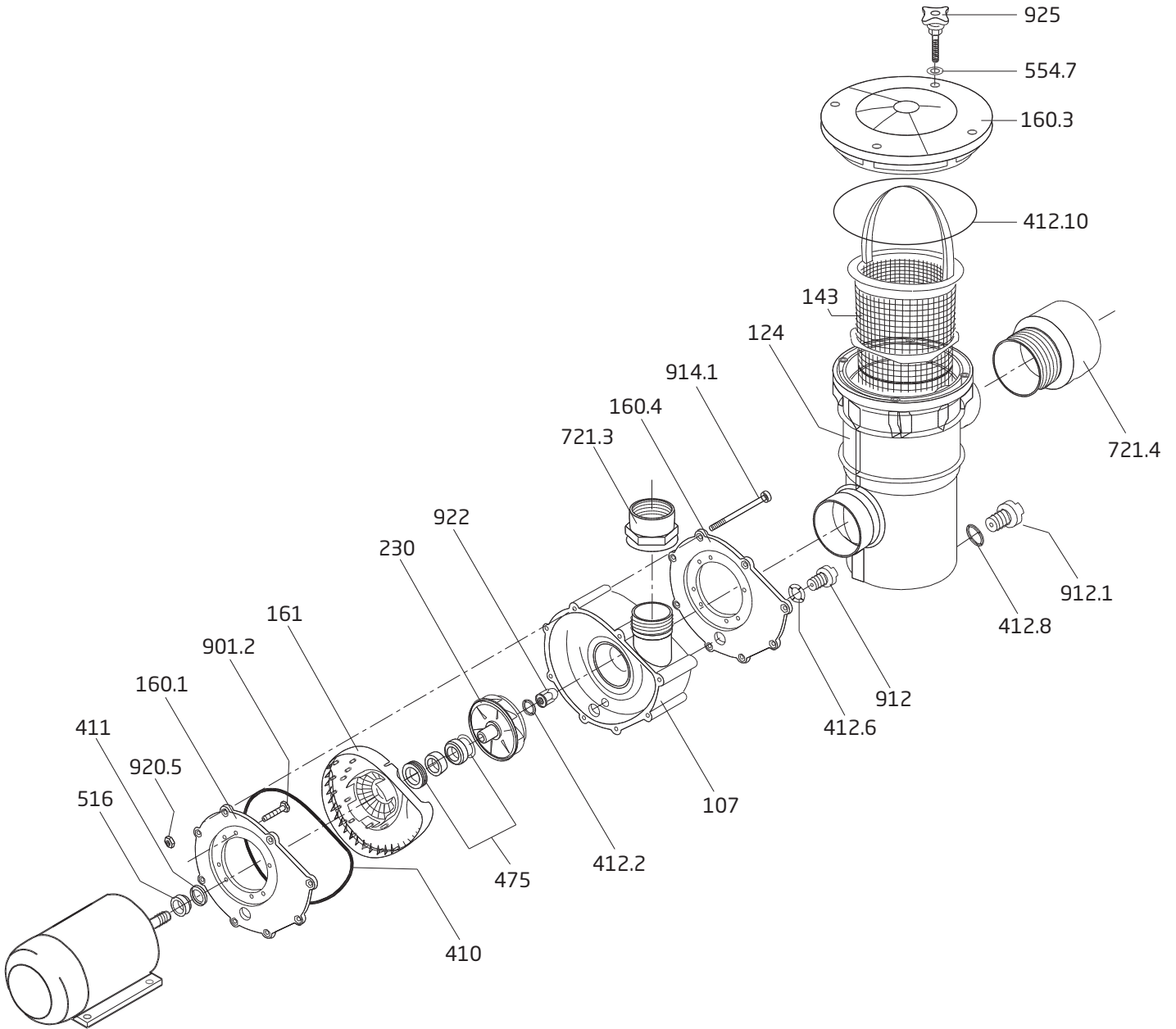


MODEL 21-80 BS

Swimming Pool Pump



MODEL 21-80 BS



Swimming Pool Pump

Order #	Drawing Number	Qty Required	Description	List Price
2923592200	922	1	NUT - IMPELLER - PLASTIC w/ BRASS INSERT M12	\$ 15.50
5879340600	920.5	8	NUT - CASING BOLT M6 SS	0.80
2920912403	124	1	STRAINER TANK	543.00
2920791211	912.1	1	PLUG - STRAINER TANK DRAIN (3/4")	3.70
2923591200	912	1	PLUG - CASING DRAIN (1/4") HEX HEAD	5.50
2923241231	412.8	1	O-RING - STRAINER TANK DRAIN PLUG 24 x 3.5mm	0.80
2923000006M	721.4	1	SUCTION FITTING (3" MPT x 4" SLIP)	111.90
2920191401	914.1	8	BOLT - CASING, PANHEAD/SLOT M6 x 97mm SS	7.80
2923190120	901.2	4	BOLT - MOTOR, HEX M8 x 16mm	1.70
2923151601	516	1	V-RING 18mm	9.10
2920343310	475	1	MECHANICAL SEAL (20mm) COMPLETE	53.40
2920914300	143	1	BASKET - COMPLETE	53.00
2923541229	412.2	1	O-RING - SHAFT 16.9 x 2.75mm VITON	4.80
2923541220	412.6	1	O-RING - CASING DRAIN PLUG 12 x 2.5mm	0.60
2920916000	160.3	1	LID - CLEAR	174.40
2920941210	412.10	1	O-RING - LID 185 x 6mm	16.10
2920992501	925	4	LID KNOB WITH BOLT M10	41.40
2991000026	554.7	4	WASHER - LID BOLT M10	1.00
2923141240	411	1	SHAFT WASHER 14/22 IT 400	1.00
2923141010	410	1	GASKET - SEAL HOUSING	31.60
2923223015	230	1	IMPELLER (21-80/30) 0.5 HP S.F. 1.8 122 / 20mm	78.50
2923223014	230.1	1	IMPELLER (21-80/33) 4.0 HP S.F. 1.25 113 - 122 / 20mm	80.80
2923223035	230.2	1	IMPELLER (21-80/34) 6.0 HP S.F. 1.0 120 - 122 / 20mm	80.80
2923116100	161	1	SEAL HOUSING	93.80
2923116010	160.1	1	ALUMINUM FLANGE - MOTOR	163.50
2923116040	160.4	1	ALUMINUM FLANGE - CASING	186.50
2923110726	107	1	CASING	311.60
2500223433	721.3	1	ADAPTOR - CASING (2-3/4" x 3" NPT/4")	82.60
2923141210	NOT SHOWN	1	O-RING - ADAPTOR 70 x 4.5mm	2.40

Parts Unique To The Model 21-80/BS Shipped Prior To March, 2000

2923800040	230, 922, 412.2	1	IMPELLER UPGRADE - IMPELLER (3.0 HP) w / NUT & O-RING	107.40
2923800020	230.1, 922, 412.2	1	IMPELLER UPGRADE - IMPELLER (4.0 HP) w / NUT & O-RING	101.20
2923800060	230.2, 922, 412.2	1	IMPELLER UPGRADE - IMPELLER (6.0 HP) w / NUT & O-RING	101.20
2923541220	412.6	1	O-RING - SHAFT 12 x 2.5mm	0.60
2923592300	922	1	NUT - IMPELLER M12 SS	9.40

Parts For The Extra Large Strainer Tank Shipped Prior To January, 1995

2500223403	NOT SHOWN	1	ADAPTOR - CASING (2-3/4" x 3" BSP)	82.70
2920141210	NOT SHOWN	1	O-RING - ADAPTOR 90 x 5mm	3.20
2920941210	412.10	1	O-RING - LID 185 x 6mm	16.10
2920916003	160.3	1	LID COMPLETE (LID BOLT 8 mm)	197.10
2920914300	143	1	BASKET - COMPLETE	53.00
2920912402	124	1	STRAINER TANK	DISCONTINUED
2920791211	912.1	1	PLUG - STRAINER TANK DRAIN (3/4")	3.70
2923241231	412.8	1	O-RING - STRAINER TANK DRAIN PLUG 24 x 3.5mm	0.80

REPLACEMENT MOTORS



REPLACEMENT MOTORS FOR SPECK PUMP MODELS - 21-80 BS, 21-80 G, 21-80 GS

Order #	MFR #	Model	HP	S.F.	Volts	Shaft	List Price
SINGLE SPEED, E-Plus®/extreme-E™, 56 FRAME, C-FACE, PSC MOTOR							
0817370201	B116	21-80/33	4.0	1.25	208-230	THR. M12	\$ 1,313.50
K63AVDGN5174	ASB116	21-80/33	4.0	1.25	208-230	THR. M12	1,313.50
0818430000	184300	21-80/34	6.0	1.0	208-230	THR. M12	1,535.40
THREE PHASE, E-Plus®/extreme-E™, 56 FRAME, C-FACE, PSC MOTOR							
0818102500	181025	21-80/33	4.0	1.25	208-230/460	THR. M12	1,365.40
0818616400	186164	21-80/34	6.0	1.0	208-230/460	THR. M12	1,335.80