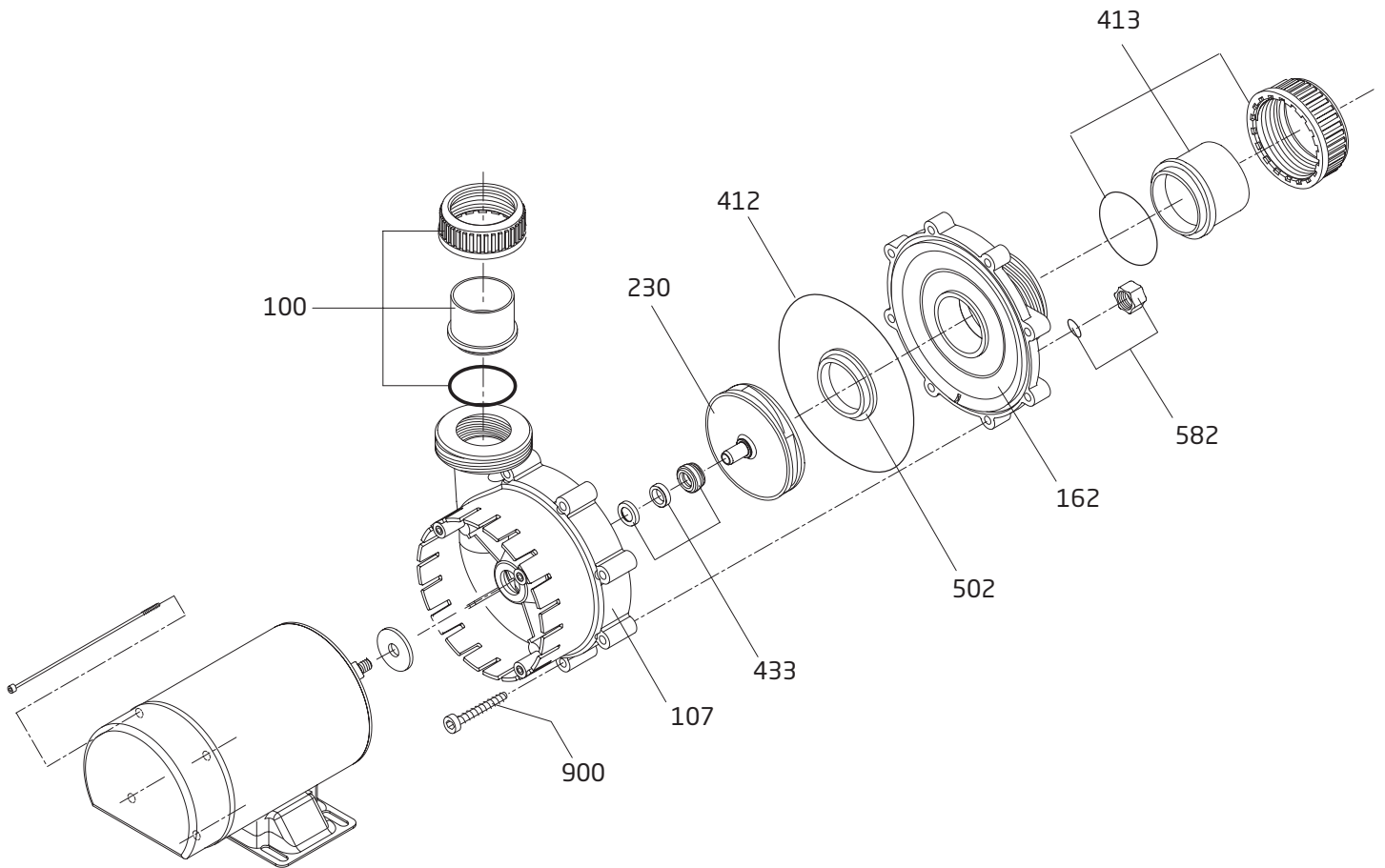


MODEL E75

Spa Pump



MODEL E75

Spa Pump



Order #	Drawing Number	Qty Required	Description	List Price
2901210700	107	1	CASING	\$ 19.00
2920750200	502	1	FLOATING EYE SEAL (WEAR RING)	7.50
2921770001	413	1	UNION WITH NUT AND O-RING (2.0") - SUCTION (-II, -III, -IV)	13.30
2921770003	413.1	1	UNION WITH NUT AND O-RING (1.5") - SUCTION (-I)	13.30
2991000091	900	8	SCREW - M7 x 48.4mm (3/8") HEX A2	4.00
2921606204	433	1	MECHANICAL SEAL (5/8") - CARBON/CERAMIC	14.00
7300313000	100	1	UNION WITH NUT AND O-RING (2.0") - DISCHARGE (-II, -III, -IV)	15.20
7300313001	100.1	1	UNION WITH NUT AND O-RING (1.5") - DISCHARGE (-I)	14.70
2901141200	412	1	O-RING - CASING 144 x 4mm	3.10
2901158200	582	1	DRAIN CAP 3/8" WITH GASKET - CASING	2.60
2901216108	162	1	CASING LID	13.60
2921923091	230	1	IMPELLER (-I) 0.75 THP (1.0 HP SPL) 99 / 4.5mm (3/8") 6V	50.30
2921923192	230.1	1	IMPELLER (-II) 1.0 THP (1.5 HP SPL) 98 / 9mm (3/8") 6V W/ INS	50.30
2921923193	230.2	1	IMPELLER (-III) 1.5 THP (2.0 HP SPL) 106 / 9mm (3/8") 6V W/ INS	50.30
2921923094	230.3	1	IMPELLER (-IV) 2.0 THP (2.5 HP SPL) 111 / 9mm (3/8") 6V W/ INS	65.30
2500300917	100.1 & 413.1	1	UNION PACKAGE COMPLETE - 1.5"	28.00
2500300920	100 & 413	1	UNION PACKAGE COMPLETE - 2.0"	28.50

REPLACEMENT MOTORS

Order #	MFR #	Model	THP	Specially Rated		Volts	List Price
				HP	S.F.		
<u>SINGLE SPEED, 48 FRAME, SPLITPHASE MOTOR</u>							
0818688300	(EZ)BN24	-I	0.75	1.0	SPL	115	\$ 204.40
0818688400	(EZ)BN25	-II	1.0	1.5	SPL	115	229.60
0818688600	(EZ)BN35SS	-III	1.5	2.0	SPL	115/230	356.00
0818688500	(EZ)BV35SS	-III	1.5	2.0	SPL	115	341.30
0818688700	BN40SS	-IV	2.0	2.5	SPL	115/230	435.10
<u>TWO SPEED, FLEX-48, 48 FRAME, CAP START MOTOR</u>							
0815996300	BN36	-I	0.75	1.0	SPL	115	338.60
0817778200	BN37	-II	1.0	1.5	SPL	115	349.10
0817780300	BN50	-III	1.5	2.0	SPL	115	331.50
0818247700	BN51	-IV	2.0	2.5	SPL	230	566.30

All motors have a 3/8" thread stainless steel shaft