

SAND FILTERS

Sand Filters - 16", 19", 24" & 31"



Features

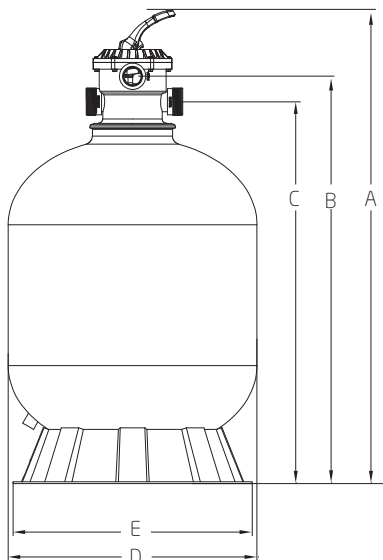
- One piece filter body is blow molded of a heavy duty polymeric plastic, immune to chemicals and environment abuse, to provide a rugged and attractively styled filter. Injection molded support pedestal.
- Eight corrosion-free, non-clogging, under drain laterals create a totally balanced flow across the full diameter of the sand bed. These precision-engineered laterals guarantee high water flow, excellent water clarity, and more efficient back washing.
- Top mounted, multi-port, multifunction, six position valve with pressure gauge and sight glass provides ultimate filter operation.
- Drain assembly is located at the bottom of the tank, which makes winterizing or servicing fast and easy. The drain assembly only permits water to be drained.
- Valve Functions:
 1. Filter
 2. Backwash
 3. Rinse
 4. Recirculate
 5. Waste
 6. Closed
- Systems are designed to make assembly and installation quick and easy.
- Heavy duty injection molded plastic equipment base keeps the pump and filter elevated, away from harm.
- All pump/filter systems are equipped with pump-to-filter hose package. Systems with pump Model E71 or A91 also includes pool-to-equipment hose package.
- A variety of cord sets are available.
- Twelve (12) months warranty on all pump parts.
- Every filter is performance tested before leaving the factory.



Applications

- Perfect for residential above-ground, on-ground, and in-ground pools.

Technical Data



DIAMETER		16"	19"	24"	24"	31"
VALVE SIZE		1.5"	1.5"	1.5"	2.0"	2.0"
FILTER AREA	sq. ft.	1.35	2.10	3.14	3.14	4.90
DIMENSIONS	A	31.9"	36.6"	43.3"	46.1"	37.5"
	B	27.0"	31.7"	38.8"	39.1"	41.5"
	C	24.6"	29.3"	36.4"	36.1"	46.0"
	D	16.0"	19.0"	24.0"	24.0"	31.0"
	E	15.8"	18.9"	18.9"	18.9"	31.0"
MAXIMUM RECOMMENDED FLOW RATE	GPM	35	42	62	62	98
MAXIMUM POOL CAPACITY <i>(Based on 8 hour turnover)</i>	Gallons	16,800	20,160	29,760	29,760	47,040
SAND REQUIREMENTS	lbs.	100	175	300	300	500
<small>*Recommended sand 0.4mm to 0.6mm (20-30 grade silica sand)</small>						
MAXIMUM OPERATION PRESSURE: 35 PSI (test pressure 50 PSI)						
SHIPPING WEIGHT	lbs.	17	23	36	36	68