

# BADU® EcoM3 V (1.65)

High Performance, Medium Head  
Variable Speed Swimming Pool Pump



## Features

- This high performance, medium head pump comes complete with our unique mechanical shaft seal that allows the pump, if mistreated, to run dry for up to one hour.
- The pump can be used for pool water with a salt concentration of up to 5000 ppm.
- Pump parts are made of 100% recyclable plastic. Non-corrosive, chemical/UV resistant, and can withstand temperatures of up to 175°F.
- Suction and discharge are equipped with 2" disconnect unions for easy installation and maintenance.
- 1.65 THP motor comes complete with built-in controller Variable speed control, ranging from 600 to 3450 RPM. The levels can be set in increments of 250.
- Programmable high efficiency TEFC (totally enclosed fan cooled) maintenance-free permanent magnet brushless 56 frame motor with Class F insulation.
- Built-in timer (based on a 24 hour cycle).
- Lock ring that incorporates handles. These handles provide the user with a convenient way to easily remove the lid.
- Digital inputs for compatibility with pool automation systems.
- For pool users' safety, the impeller has a dielectric shaft sleeve that provides absolute separation between pool water and electric parts.
- Optional VLink™ WiFi pump controller allows you to easily monitor and manage your pool pump settings from a mobile device.
- Every pump is performance tested before leaving the Speck factory.



BADU EcoM3 V (1.65)

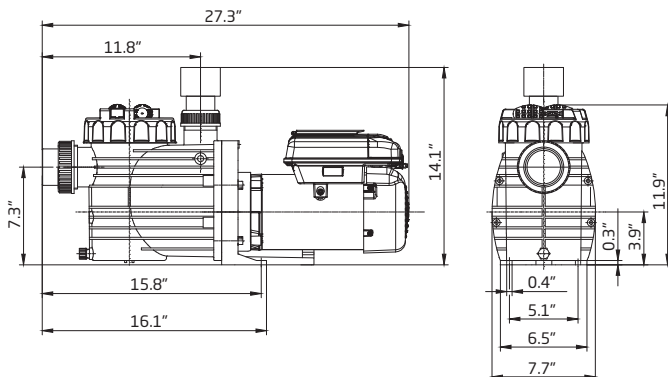
## Trademarks and Certifications



## Applications

- Residential pools

## Dimensional Drawing



MODEL	DIMENSION "L"	SHIPPING WEIGHT
BADU EcoM3 V (1.65)	27.3"	55 lbs.

## Performance Curves

