

EasyFit® Series

High Performance Swimming Pool Pump

SPECK X

Features

- The EasyFit pump series saves you time & money while making your life simpler. The pump allows a user to replace most major brands of pump without the need to re-plumb.
- This high performance pump comes complete with our unique mechanical shaft seal that allows the pump, if mistreated, to run dry for up to one hour.
- The pump can be used for pool water with a salt concentration of up to 5000 ppm.
- Pump parts are made of 100% recyclable plastic. Non-corrosive, chemical/UV resistant, and can withstand temperatures of up to 175°F.
- Fittings & Risers to accommodate the following models (Hayward®, Pentair®, American Products®, and STA-RITE®).
- The EasyFit is available with the following motors:
 - Single or Two-Speed (0.75 to 3.5 HP)
 - Variable Speed (1.65 & 2.7 THP)
- Lock ring that incorporates handles. These handles provide the user with a convenient way to easily remove the lid.
- Suction and discharge are equipped with quick disconnect unions for easy installation and maintenance.
- For pool users' safety, the impeller has a dielectric shaft sleeve that provides absolute separation between pool water and electric parts.
- Every pump is performance tested before leaving the Speck factory.

Features Specific to the EasyFit (1.65 THP)

- 1.65 THP motor comes complete with built-in controller Variable speed control, ranging from 600 to 3450 RPM. Levels can be set in increments of 250.
- Programmable high efficiency TEFC (totally enclosed fan cooled) maintenance-free permanent magnet brushless 56 frame motor with Class F insulation.
- Built-in timer (based on a 24 hour cycle).
- Digital inputs for compatibility with pool automation systems.

Features Specific to the EasyFit (2.7 THP)

- 2.7 THP Century® V-Green® Variable Speed motor with built-in easy to use controller LCD screen. *(Also available with SVRS)*
- RPM levels can be set to range from 600 to 3450. Levels can be set in increments of 25.
- Programmable high efficiency TEFC maintenance-free permanent magnet brushless 56 frame motor with Class F insulation.
- Freeze protection feature that can be turned ON/OFF or adjusted.
- Programmable auxiliary load feature.
- Adjustable screen contrast feature.
- The controller can be removed and mounted away from the pump using the RS485 cable.

Hayward® and Super Pump® & Super II™ are trademarks and/or registered trademarks of Hayward Industries, Inc.
Pentair®, SuperFlo®, WhisperFlo®, IntelliFlo®, Ultra-Flow®, Challenger®, Sta-Rite®, Dyna-Glas™, Dyna-Max™, Dura-Glas, and Max-E-Glas™ are trademarks and/or registered trademarks of Pentair Water Pool and Spa, Inc. and/or its affiliated companies.



EasyFit SPK

Trademarks and Certifications



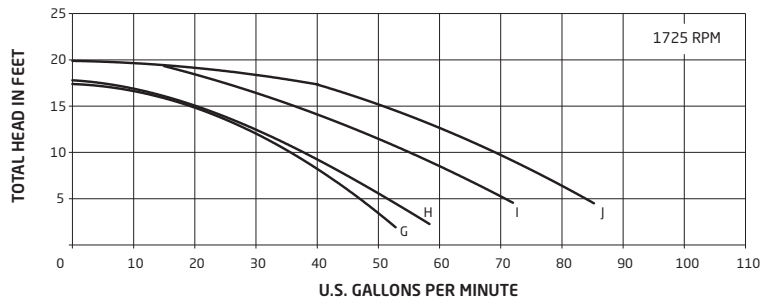
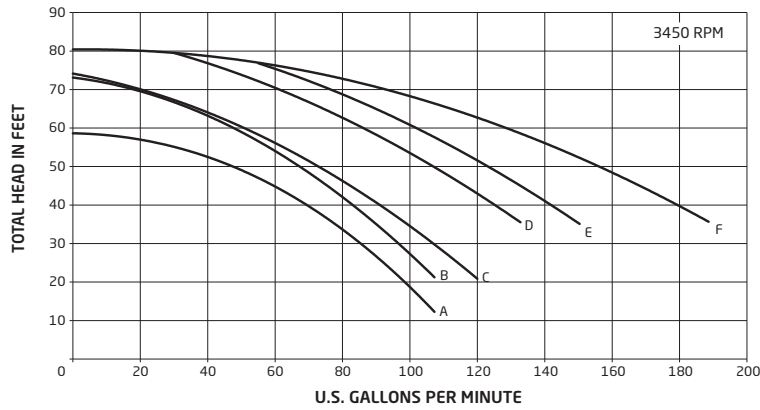
Select EasyFit models are ENERGY STAR certified

Applications

- In-ground pools (small to large)
- Residential pools

Performance Curves

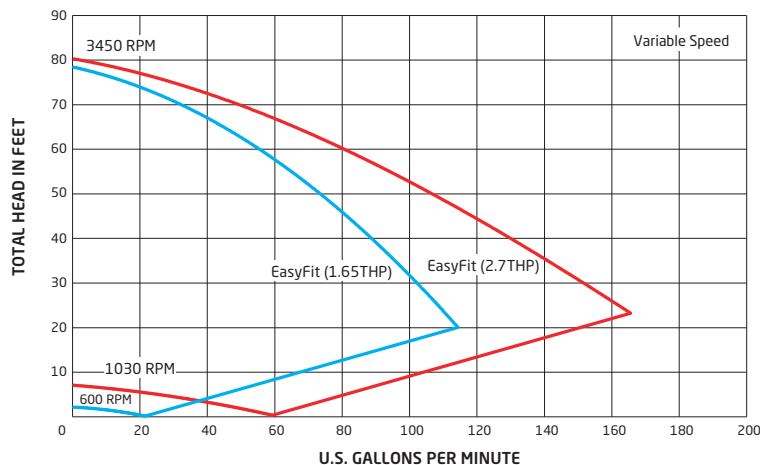
EasyFit (Single & Two Speed)



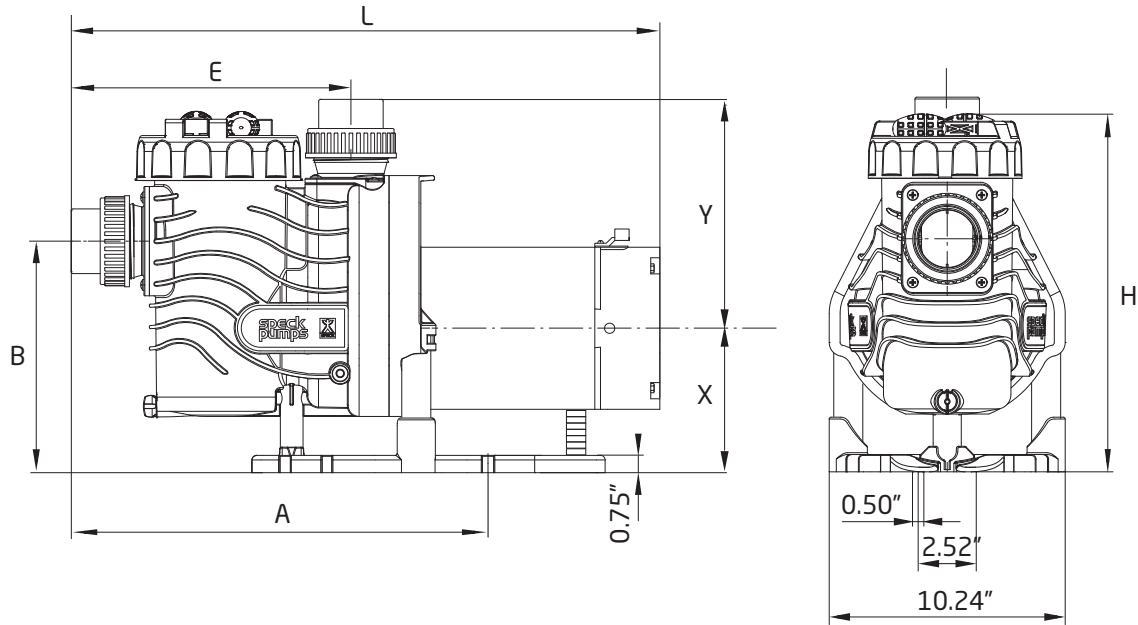
Model	Nominal HP	Service Factor	Total HP	Voltage	S.F. Amps	Curve Key
EasyFit-I	0.75	1.25	0.98	230/115	5.4/10.8	A
EasyFit-II	1.0	1.25	1.25	230/115	7.0/14.0	B
EasyFit-III	1.5	1.1	1.65	230/115	7.7/15.4	C
EasyFit-IV	2.0	1.1	2.25	230/115	10.8/21.6	D
EasyFit-V	2.0	1.3	2.6	208-230	10.6-10.0	E
EasyFit-VI	3.0	1.2	3.6	208-230	15.2-14.0	F

Low Speed						
Model	Nominal HP	Service Factor	Total HP	Voltage	S.F. Amps	Curve Key
EasyFit-II	0.75 - 0.10	1.67	1.25 - 0.17	115	14.5/5.3	G
EasyFit-II	0.75 - 0.10	1.67	1.25 - 0.17	230	5.8/1.2	G
EasyFit-III	1.0 - 0.12	1.65	1.65 - 0.20	230	7.4/1.4	H
EasyFit-IV	1.5 - 0.20	1.47	2.25 - 0.30	230	9.2/2.1	I
EasyFit-V	2.0 - 0.25	1.30	2.60 - 0.33	230	10.6/2.4	J

EasyFit (Variable Speeds)



Dimensional Drawings



EasyFit Version*	Suction & Discharge Connection	A	B	E	X	Y	H	L**
SPECK	2" or 3" Speck Union	18.01"	9.17"	12.13"	5.30"	9.88"	14.75"	24.37" - 28.17"
1	1-1/2" or 2" NPT	17.11"	9.41"	10.87"	6.28"	6.71"	15.50"	23.38" - 27.18"
2	2" NPT	16.28"	9.17"	10.00"	5.30"	6.71"	14.75"	22.56" - 26.36"
3	1-1/2" or 2" NPT	15.57"	7.75"	9.33"	3.92"	6.71"	13.50"	21.85" - 25.65"
4	1-1/2" NPT	15.01"	10.75"	8.86"	6.52"	6.71"	16.00"	21.79" - 25.59"
5	2" NPT	15.01"	10.75"	8.86"	6.52"	6.71"	16.00"	21.79" - 25.59"
6	2" NPT (also compatible with STA-RITE Unions)	16.46"	9.94"	10.34"	5.41"	12.41"	14.75"	22.74" - 26.54"
7	2" NPT	16.28"	10.04"	10.00"	6.28"	6.71"	15.50"	22.56" - 26.36"
8	1-1/2" or 2" NPT	15.57"	8.52"	8.52"	4.68"	6.71"	14.27"	21.85" - 25.65"

** NOTE: Overall length (L) varies based on motor type (HP rating, three phase, single phase, single speed, two-speed, or variable speed)

Versions:

- 1 - Pentair® Ultra Flow®
- 2 - Pentair® WhisperFlo® / IntelliFlo®
- 3 - Hayward® Super Pump® & Pentair® SuperFlo®
- 4 - STA-RITE® Dura-Glas & Max-E-Glas™
- 5 - STA-RITE® Dura-Glas II & Max-E-Glas II™
- 6 - STA-RITE® Dyna-Glas™ & Dyna-Max™
- 7 - Pentair® Challenger®
- 8 - Hayward® Super II™

Hayward® and Super Pump® & Super II™ are trademarks and/or registered trademarks of Hayward Industries, Inc. Pentair®, SuperFlo®, WhisperFlo®, IntelliFlo®, Ultra-Flow®, Challenger®, Sta-Rite®, Dyna-Glas™, Dyna-Max™, Dura-Glas, and Max-E-Glas™ are trademarks and/or registered trademarks of Pentair Water Pool and Spa, Inc. and/or its affiliated companies.