

MODEL A91

Self-Priming Swimming Pool Pump



Features

- This high performance, medium head pump comes complete with an industry standard Carbon/Ceramic 5/8" mechanical seal for convenient replacement.
- Pump parts are made of 100% recyclable plastic. Non-corrosive, chemical/UV resistant, and can withstand temperatures of up to 150°F.
- Suction and discharge ports are equipped quick disconnect unions. Provided with a standard 1.5" slip and 1.5"/1.25" hose adaptor connections. Optional 1.5" NPT connections also available.
- For pool users' safety, the impeller has a dielectric shaft sleeve that provides absolute separation between pool water and electric parts.
- Specially constructed clear lid with ring lock design is easy to open. Strainer basket is always locked in place.
- Optional 4" high base is available.
- Pump is equipped with durable, 48 frame thru-bolt mount motor with stainless steel shaft. Also available with a energy efficient PSC motor.
- Pump has a standard 3 ft. 3/12 AWG cord set pre-mounted. A variety of other cord sets are available.
- Every pump is performance tested before leaving the Speck factory.



Trademarks and Certifications

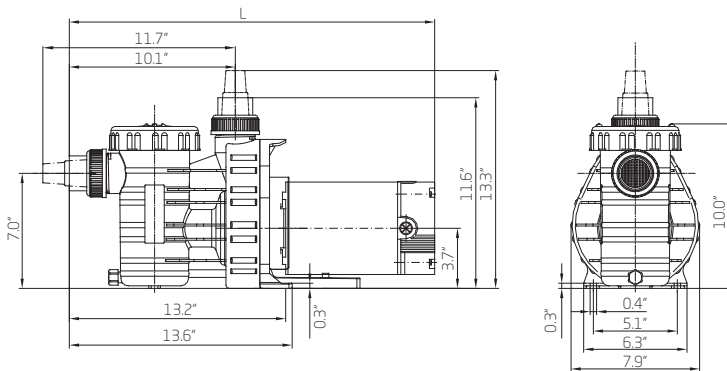


Select A91 models meets ANSI/APSP-15 standard

Applications

- Perfect for above-ground & small in-ground pools

Dimensional Drawing



MODEL	DIMENSION "L"	SHIPPING WEIGHT
A91	21.0"	20 lbs.
A91-I	22.4"	21 lbs.
A91-II	22.4"	23 lbs.

Performance Curves

