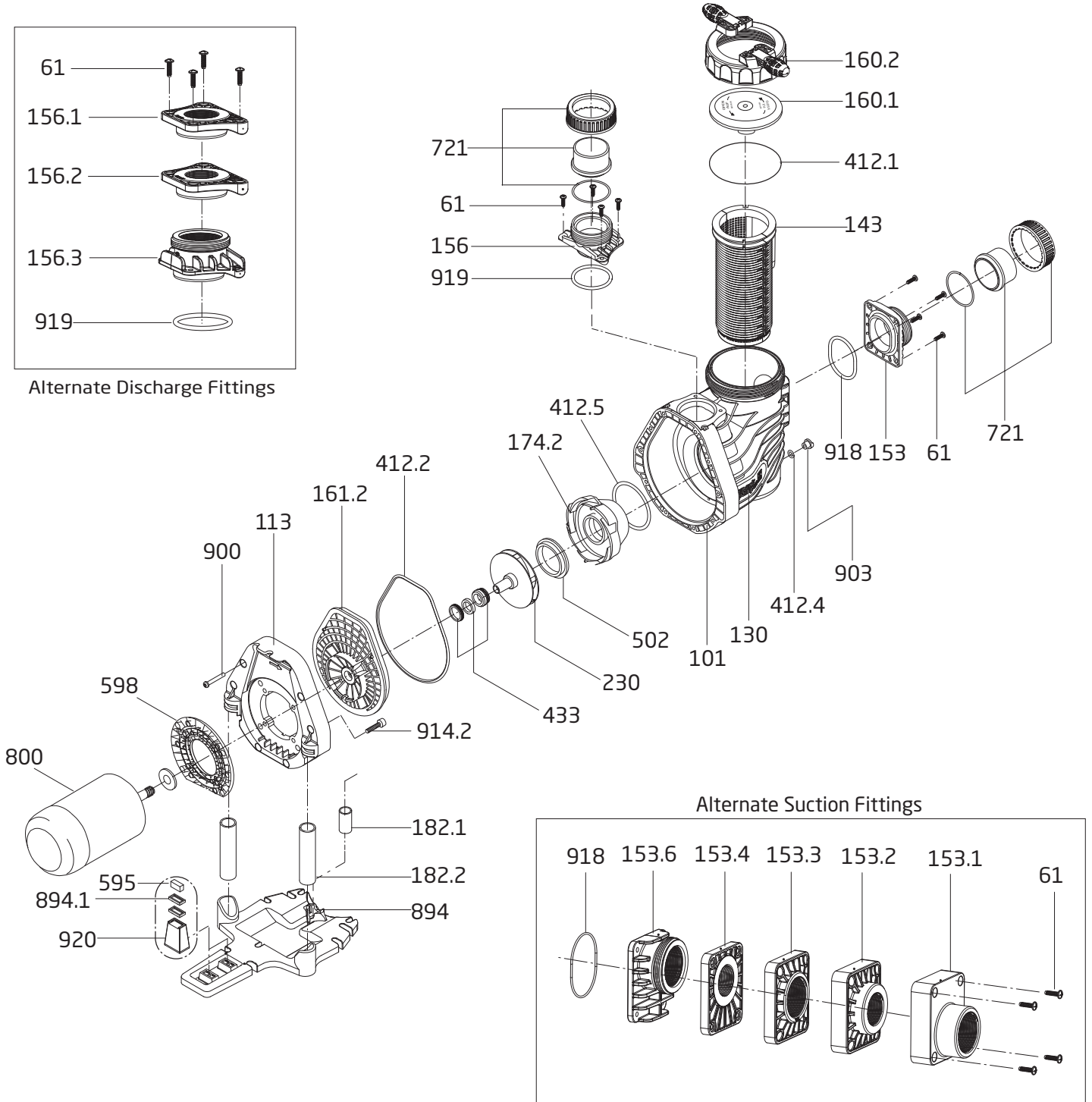
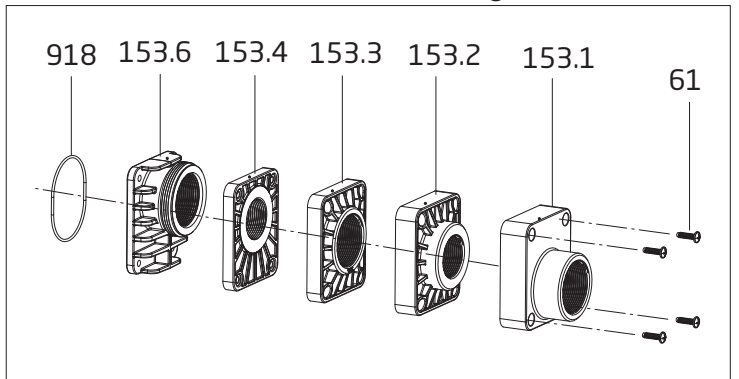


Alternate Discharge Fittings



Alternate Suction Fittings



Universal Replacement Swimming Pool Pump

Order #	Drawing Number	Qty Required	Description	List Price
2921116022	160.2	1	LOCK RING WITH HANDLES - LID	\$ 35.80
2901410122	101	1	CASING	148.50
2901413002	130	2	NAME PLATE - ORANGE	2.80
2901411304	113	1	FLANGE	46.10
2901489400	894	1	BASE	55.60
2901416102	161	1	SEAL HOUSING (-I, -II, -IV, -V, -VI)	21.80
2901416103A	161	1	SEAL HOUSING (1.65, -III)	45.70
2901417421	174.2	1	DIFFUSER (-I, -II)	31.20
2921317421	174.2	1	DIFFUSER (1.65, -III)	19.50
2901417422	174.2	1	DIFFUSER (-IV, -V)	32.20
2901417420	174.2	1	DIFFUSER (-VI)	24.40
2920750200	502	1	FLOATING EYE SEAL (-I, -II)	7.80
2901450700	502	1	FLOATING EYE SEAL (-IV, -V)	7.30
2901423130	230	1	IMPELLER (-I)	46.00
2901423015	230	1	IMPELLER (-II) 113 / 5.3mm	46.00
2901423009R	230	1	IMPELLER (-III) 118 / 5.0mm	53.40
2901423009	230	1	IMPELLER (1.65 THP) 124 / 5.0mm	53.40
2901423016	230	1	IMPELLER (-IV) 120 / 8.7mm	59.30
2901423017	230	1	IMPELLER (-V) 118 / 10.0mm	59.30
2901423013	230	1	IMPELLER (-VI) 120 / 7.8mm	40.90
2901490300	903	1	PLUG WINGED - CASING DRAIN (1/4")	2.90
2920141240	412.4	1	O-RING - DRAIN PLUG 11 x 2.5mm	1.30
2921141210	412.1	1	O-RING - LID 137 x 5.0mm	5.10
2901441210	412.2	1	O-RING - CASING 206 x 6.0mm	10.10
2920141210	412.5	1	O-RING - DIFFUSER 90 x 5.0mm	3.40
2991000091	900	10	SCREW - CASING HEX/SLOT M7 x 48mm SS	4.20
2901116010	160.1	1	LID - CLEAR	19.50
2921116012B	NOT SHOWN	1	LID - CLEAR WITH LED LIGHT	42.90
2920343310	433	1	MECHANICAL SEAL (20mm) COMPLETE	55.60
2920110200	598	1	MOTOR FLANGE - 56 FRAME	14.80
2991400028	914.2	4	SCREW - 3/8"-16 x 2" (ALLEN HEAD)	5.10
2901414303	143	1	BASKET - TALL STRAINER	29.70
5879006023	61	8	SCREW - 6 x 22mm, A4	2.50
2901441270	918	1	O-RING - SUCTION FITTING (ALL) 76 x 6.0mm	3.30
2901441282	919	1	O-RING - DISCHARGE FITTING (ALL) 67 x 6.0mm	3.90
2901489420	920	1	MOTOR SUPPORT - BASE (h=50mm)	4.20
2902089420	920.1	1	MOTOR SUPPORT - BASE (h=57mm)	12.30
2920889410	894.1	0-7	LEGO SPACER	0.60
2901415300A	153, 918	1	FITTING - STANDARD SUCTION KIT	12.70
2901415600A	156, 919	1	FITTING - STANDARD DISCHARGE KIT	14.40
2901418213	182.1	1	RISER - FRONT	0.80
2901418223	182.2	2	RISER - REAR	3.00
2921770005	721	2	SET - 2" PVC UNION COMPLETE - (-I, -II, -III, 1.65, -IV, -V)	13.90
2921770006	721	2	SET - 3" PVC UNION COMPLETE - (-VI)	32.10
2500300926	721	1	2" PVC UNION PACKAGE - SUCTION & DISCHARGE (-I, -II, -III, 1.65, -IV, -V)	27.90
2500300918	721	1	3" PVC UNION PACKAGE - SUCTION & DISCHARGE (-VI)	63/80


Optional Parts

2901415306	153.1	1	SUCTION FITTING - 1.5" NPT (Ultra-Flow®)	18.10
2901415316	153.1	1	SUCTION FITTING - 2" NPT (Ultra-Flow®)	17.20
2901415307	153.2	1	SUCTION FITTING - 1.5" NPT (WhisperFlo® / IntelliFlo®)	16.20
2901415317	153.2	1	SUCTION FITTING - 2" NPT (WhisperFlo® / IntelliFlo® / Challenger®)	15.10
2901415305	153.3	1	SUCTION FITTING - 1.5" NPT (Super Pump® / SuperFlo®)	12.40
2901415315	153.3	1	SUCTION FITTING - 2" NPT (Super Pump® / SuperFlo®)	12.40
2901415308	153.4	1	SUCTION FITTING - 1.5" (Dura-Glas / Max-E-Glas™)	12.00
2901415318	153.4	1	SUCTION FITTING - 2" (Dura-Glas II / Max-E-Glas II™)	10.90
2901415323	153.6	1	SUCTION FITTING - 2" NPT (Dyna-Glas II™)	23.40

Universal Replacement Swimming Pool Pump

Order #	Drawing Number	Qty Required	Description	List Price
2901415602	156.1	1	DISCHARGE FITTING - 1.5" NPT(Pentair®, Hayward®, STA-RITE®)	\$ 12.00
2901415612	156.2	1	DISCHARGE FITTING - 2" NPT (Pentair®, Hayward®, STA-RITE®)	10.60
2901415623	156.3	1	DISCHARGE FITTING - 2" NPT (STA-RITE® Dyna-Glas™)	22.30
2901418212	182.1	1	RISER - FRONT (Ultra-Flow® / Challenger®)	1.20
2901418213	182.1	1	RISER - FRONT (WhisperFlo® / IntelliFlo® / Dyna-Glas™)	0.80
2901418214	182.1	1	RISER - FRONT (Dura-Glas / Max-E-Glas™)	1.20
2901418215	182.1	1	RISER - FRONT (Super II®)	0.60
2901418222	182.2	2	RISER - REAR (Ultra-Flow® / Challenger®)	3.70
2901418223	182.2	2	RISER - REAR (WhisperFlo® / IntelliFlo® / Dyna-Glas™)	3.00
2901418221	182.2	2	RISER - REAR (Super Pump® / SuperFlo®)	2.30
2901418224	182.2	2	RISER - REAR (Dura-Glas / Dyna-Glas™)	3.90
2901418225	182.2	2	RISER - REAR (Super II®)	2.40

Go Kits For The Model EasyFit

EasyFit-GOKIT	1	KIT INCLUDES THE FOLLOWING PARTS:	81.50
		2920141240 - O-RING DRAIN PLUG 11 x 2.5mm	
		2921141210 - O-RING LID 137 x 5mm	
		2920141210 - O-RING DIFFUSER 90 x 5mm	
		2920343310 - MECHANICAL SEAL (20mm) CPL	
		2901441210 - O-RING CASING 206 x 6mm	
		2901441270 - O-RING SUCTION FITTING 76 x 6mm	
		2901441282 - O-RING DISCHARGE FITTING 67 x 6mm	

Universal Replacement Swimming Pool Pump

REPLACEMENT MOTORS

Order #	MFR #	Model	THP	HP	S.F.	Volts	Frame	List Price
<i>SINGLE SPEED, Standard Efficient Max Rated, 56 Frame, C-Face, 7/16" Threaded Shaft</i>								
0817749000	EB227	-I	0.98	0.75	1.25	115/230	56	\$ 345.30
0817750000	EB228	-II	1.25	1.0	1.25	115/230	56	362.70
0817750100	EB229	-III	1.65	1.5	1.10	115/230	56	401.70
0817750200	EB230	-IV	2.25	2.0	1.10	115/230	56	442.50
<i>TWO SPEED, Premium Energy Efficient, 56 Frame, C-Face, 7/16" Threaded Shaft</i>								
B63GZABR1036	ASB2973H	-II	1.25	0.75	1.67	230	56	561.80
B63GZABS1037	ASB2975	-III	1.65	1.0	1.65	230	56	574.90
B63GZABT1038	ASB2977	-IV	2.25	1.5	1.47	230	56	621.40
B63GZABU1039	ASB2979	-V	2.60	2.0	1.30	230	56	786.70
<i>SINGLE SPEED, Premium Energy Efficient, 56 Frame, C-Face, 7/16" Threaded Shaft</i>								
0816529800	ASB657	-I	0.98	0.5	1.95	208-230/115	56j	360.60
0816511800	ASB638	-II	1.25	0.75	1.67	208-230/115	56j	387.30
0816512000	ASB654	-III	1.65	1.0	1.65	208-230/115	56j	439.10
0816512200	ASB796	-IV	2.25	1.5	1.50	208-230/115	56j	612.20
0816512400	ASB809	-V	2.60	2.0	1.30	208-230	56j	738.60
0816512600	ASB818	-VI	3.45	3.0	1.15	208-230	56j	910.20
<i>THREE PHASE, 56 Frame, C-Face, 7/16" Threaded Shaft, 50/60Hz Motor</i>								
0815176800	EH282	-I	0.80	0.50	1.60	208-230/460	56j	371.10
0815177000	EH451	-II	1.125	0.75	1.50	208-230/460	56j	442.30
0815177200	EH514	-III	1.40	1.0	1.40	208-230/460	56j	502.90
0815177400	EH617	-IV	1.95	1.5	1.30	208-230/460	56j	653.10
0815177600	EH705	-V	2.40	2.0	1.20	208-230/460	56j	724.50
0815177800	EH741	-VI	3.45	3.0	1.15	208-230/460	56j	866.90
<i>VARIABLE SPEED, 56 Frame, C-Face, 7/16" Threaded Shaft, 50/60Hz Motor</i>								
M48AA85A01		-III	1.65			208-230	56	771.70
M48AA69D29		-V	2.7			230	56	1,348.90
M48AA91D29		-V	2.7 (w/ SVRS)			230	56	1,517.40