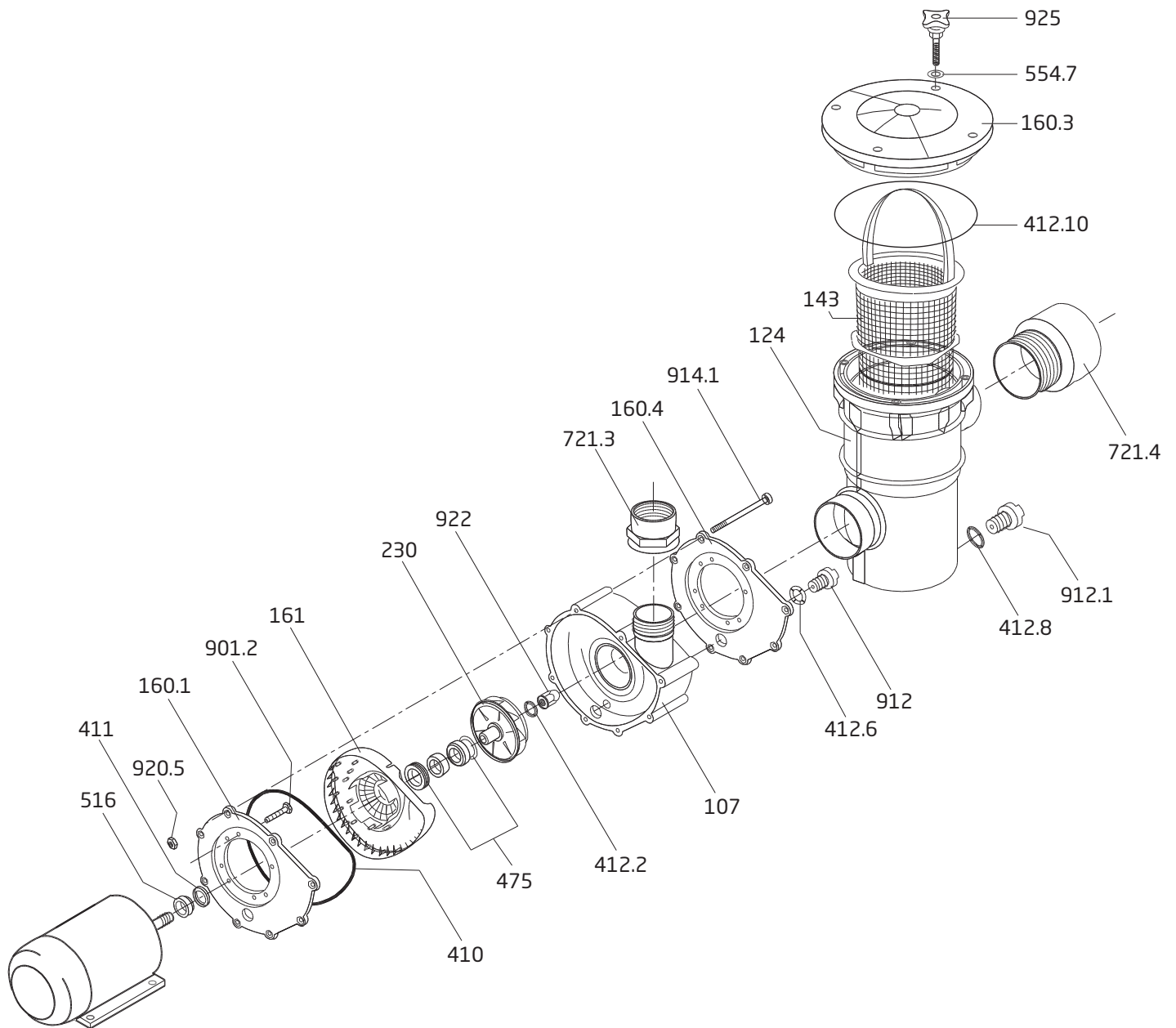


MODEL 21-80 BS

Swimming Pool Pump



MODEL 21-80 BS



Swimming Pool Pump

Order #	Drawing Number	Qty Required	Description	List Price
2923592200	922	1	NUT - IMPELLER - PLASTIC W/ BRASS INSERT M12	\$ 16.20
5879340600	920.5	8	NUT - CASING BOLT M6 SS	0.90
2920912403	124	1	STRAINER TANK	564.80
2920791211	912.1	1	PLUG - STRAINER TANK DRAIN (3/4")	3.90
2923591200	912	1	PLUG - CASING DRAIN (1/4") HEX HEAD	5.80
2923241231	412.8	1	O-RING - STRAINER TANK DRAIN PLUG 24 x 3.5mm	0.90
2923000006M	721.4	1	SUCTION FITTING (3" MPT x 4" SLIP)	116.40
2920191401	914.1	8	BOLT - CASING, PANHEAD/SLOT M6 x 97mm SS	8.20
2923190120	901.2	4	BOLT - MOTOR, HEX M8 x 16mm	1.80
2923151601	516	1	V-RING 18mm	9.50
2920343310	475	1	MECHANICAL SEAL (20mm) COMPLETE	55.60
2920914300	143	1	BASKET - COMPLETE	55.20
2923541229	412.2	1	O-RING - SHAFT 16.9 x 2.75mm VITON	5.00
2923541220	412.6	1	O-RING - CASING DRAIN PLUG 12 x 2.5mm	0.70
2920916000	160.3	1	LID - CLEAR	181.40
2920941210	412.10	1	O-RING - LID 185 x 6mm	16.80
2920992501	925	4	LID KNOB WITH BOLT M10	43.10
2991000026	554.7	4	WASHER - LID BOLT M10	1.00
2923141240	411	1	SHAFT WASHER 14/22 IT 400	1.00
2923141010	410	1	GASKET - SEAL HOUSING	32.90
2923223015	230	1	IMPELLER (21-80/30) 0.5 HP S.F. 1.8 122 / 20mm	84.10
2923223014	230	1	IMPELLER (21-80/33) 4.0 HP S.F. 1.25 113 - 122 / 20mm	84.10
2923223035	230	1	IMPELLER (21-80/34) 6.0 HP S.F. 1.0 120 - 122 / 20mm	84.10
2923116100	161	1	SEAL HOUSING	97.60
2923116010	160.1	1	ALUMINUM FLANGE - MOTOR	170.10
2923116040	160.4	1	ALUMINUM FLANGE - CASING	194.00
2923110726	107	1	CASING	324.10
2500223433	721.3	1	ADAPTOR - CASING (2-3/4" x 3" NPT/4")	86.00
2923141210	NOT SHOWN	1	O-RING - ADAPTOR 70 x 4.5mm	2.50

Parts Unique To The Model 21-80/BS Shipped Prior To March, 2000

2923800040	230, 922, 412.2	1	IMPELLER UPGRADE - IMPELLER (3.0 HP) w / NUT & O-RING	111.70
2923800020	230, 922, 412.2	1	IMPELLER UPGRADE - IMPELLER (4.0 HP) w / NUT & O-RING	105.30
2923800060	230, 922, 412.2	1	IMPELLER UPGRADE - IMPELLER (6.0 HP) w / NUT & O-RING	105.30
2923541220	412.6	1	O-RING - SHAFT 12 x 2.5mm	0.70
2923592300	922	1	NUT - IMPELLER M12 SS	DISCONTINUED

Parts For The Extra Large Strainer Tank Shipped Prior To January, 1995

2500223403	NOT SHOWN	1	ADAPTOR - CASING (2-3/4" x 3" BSP)	83.60
2920141210	NOT SHOWN	1	O-RING - ADAPTOR 90 x 5mm	3.40
2920941210	412.10	1	O-RING - LID 185 x 6mm	16.80
2920916003	160.3	1	LID COMPLETE (LID BOLT 8 mm)	199.20
2920914300	143	1	BASKET - COMPLETE	55.20
2920912402	124	1	STRAINER TANK	DISCONTINUED
2920791211	912.1	1	PLUG - STRAINER TANK DRAIN (3/4")	3.90
2923241231	412.8	1	O-RING - STRAINER TANK DRAIN PLUG 24 x 3.5mm	0.90