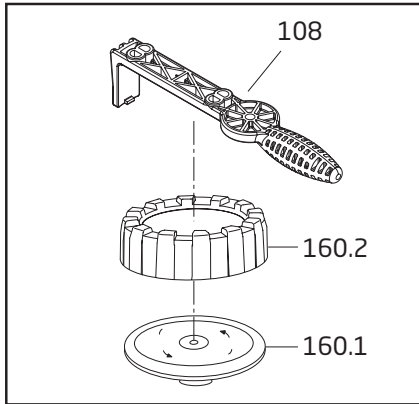
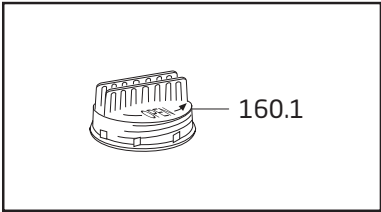
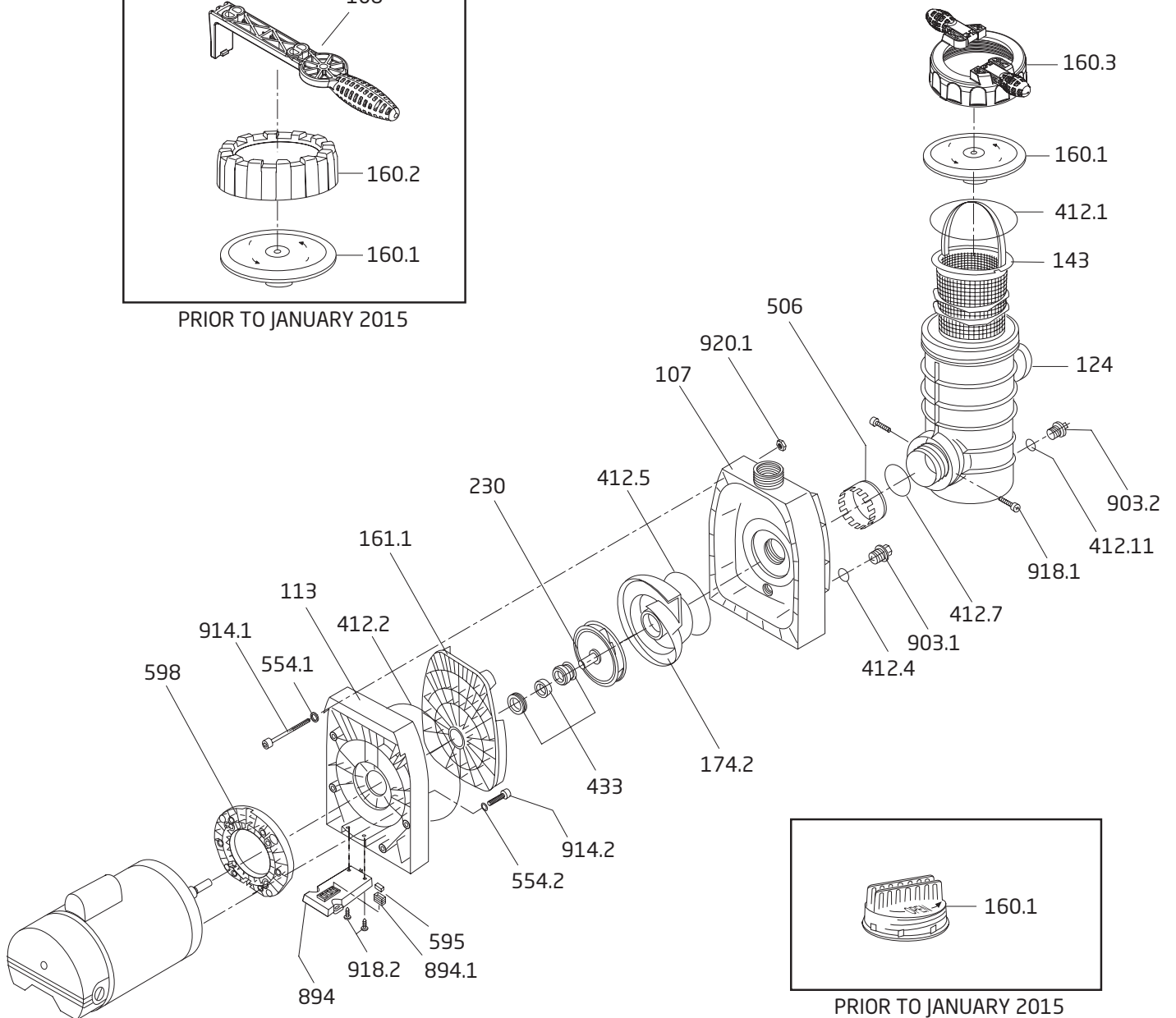


MODEL 433

Swimming Pool Pump



PRIOR TO JANUARY 2015



PRIOR TO JANUARY 2015

MODEL 433



Swimming Pool Pump

Order #	Drawing Number	Qty Required	Description	List Price
5829340800	920.1	8	NUT - CASING BOLT, BRASS M8	\$ 3.40
2991000067	914.2	4	BOLT - MOTOR HEX (3/8-16 x 2") SS	4.20
2920391500	914.1	8	BOLT - CASING BOLT, PHILLIPS M8 x 120mm SS	12.50
2920791211	903.1	1	PLUG - CASING DRAIN (3/4")	3.90
2923591201	903.2	1	PLUG - STRAINER TANK DRAIN (1/4")	1.00
2920891030	918.2	2	TAPPING SCREW - BASE, PHILLIPS 6.3 x 16mm	1.90
2920791031	918.1	2	TAPPING SCREW - STRAINER TANK, PHILLIPS # 8 x 1/2"	0.60
2920889403	894	1	BASE	8.20
2920110200	598	1	MOTOR FLANGE - 56 FRAME	14.80
2920889410	894.1	0-2	LEGO SPACER (QTY DEPENDS ON MOTOR MAKE)	0.60
2991400035	554.2	4	WASHER - MOTOR BOLT (3/8") SS	0.70
5871250800	554.1	8	WASHER - CASING BOLT M8 SS	0.70
2920750600	506	1	LOCK RING (TANK)	8.00
2920343310	433	1	MECHANICAL SEAL (20mm) COMPLETE	55.60
2920141240	412.11	1	O-RING - STRAINER TANK DRAIN PLUG 11 x 2.5mm	1.30
2920741271	412.7	1	O-RING - STRAINER TANK 57 x 4.5mm	3.20
2920141210	412.5	1	O-RING - DIFFUSER 90 x 5mm	3.40
2923241231	412.4	1	O-RING - CASING DRAIN PLUG (3/4") 24 x 3.5mm	0.90
2920341220	412.2	1	O-RING - CASING 215 x 6mm	8.70
2921141210	412.1	1	O-RING - LID 137 x 5mm	5.10
2920823000	230	1	IMPELLER (-I) 0.75 HP S.F. 1.0 102 / 3.5mm	82.00
2920825010	230	1	IMPELLER (-II) 1.0 HP S.F. 1.0 114 / 3.5mm	82.00
2920825000	230	1	IMPELLER (-III) 1.5 HP S.F. 1.0 122-130 / 3.5mm	82.00
2920826000	230	1	IMPELLER (-IV) 2.0 HP S.F. 1.0 122 / 6mm	82.00
2920827000	230	1	IMPELLER (-V) 2.5 HP S.F. 1.0 128 / 7mm	82.00
2920829000	230	1	IMPELLER (-VI) 3.0 HP S.F. 1.15 130 / 11mm	82.00
2920817403	174.1	1	DIFFUSER	27.00
2920816103	161.1	1	SEAL HOUSING	39.60
2901116010	160.1	1	LID - CLEAR	19.50
2921116012	NOT SHOWN	1	LID - CLEAR WITH LED LIGHT	44.10
2921116022	160.2	1	LOCK RING WITH HANDLES - LID	35.80
2920814300	143	1	BASKET - COMPLETE	16.20
2920812430	124	1	STRAINER TANK (1.5") PP/GLASS (09/1994)	DISCONTINUED
2920812431	124	1	STRAINER TANK (2.0") PP/GLASS	132.30
2920311300	113	1	FLANGE	63.90
2920810103	107	1	CASING (1.5" x 2.0") PP/GLASS (09/1994)	DISCONTINUED
2920810105	107	1	CASING (2.0" x 2.0") PP/GLASS	154.30


Parts Below Are Unique To The Model 433 Shipped Prior To August, 1988

2920716000	NOT SHOWN	1	LID - EXTERNAL THREAD	DISCONTINUED
2920741210	412.1	1	O-RING - LID 146 X 7mm	7.40
2920314300	143	1	BASKET - COMPLETE	10.20
2920312431	124	1	STRAINER TANK	DISCONTINUED

Parts Below Are Unique To The Model 433 Shipped Prior To January, 2015

2920816000	160	1	LID - ONE PIECE	58.20
2901116020	160.2	1	LOCK RING - LID	21.10
2921157700	108	1	SPANNER (OPTIONAL PART)	13.80

Go Kits For The Model 433

SPK-433-GOKIT	KIT INCLUDES THE FOLLOWING PARTS:			78.00
			2920141240 - O-RING STRAINER TANK DRAIN PLUG 11 x 2.5mm	
			2920741271 - O-RING STRAINER TANK 57 x 4.5mm	
			2921141210 - O-RING LID 137 x 5mm	
			2920141210 - O-RING DIFFUSER 90 x 5mm	
			2920343310 - MECHANICAL SEAL (20mm) CPL	
			2923241231 - O-RING CASING DRAIN PLUG (3/4") 24 x 3.5mm	
			2920341220 - O-RING CASING 215 x 6mm	

REPLACEMENT MOTORS FOR SPECK PUMP MODELS - 433

Order #	MFR #	Model	THP	HP	S.F.	Volts	Frame	List Price
<i>SINGLE SPEED, Standard Efficient Max Rated, 56 Frame, C-Face, 7/16" Threaded Shaft</i>								
0817749000	EB227	-I	0.98	0.75	1.25	115/230	56	\$ 345.30
0817750000	EB228	-II	1.25	1.0	1.25	115/230	56	362.70
0817750100	EB229	-III	1.65	1.5	1.10	115/230	56	401.70
0817750200	EB230	-IV	2.25	2.0	1.10	115/230	56	442.50
<i>TWO SPEED, Premium Energy Efficient, 56 Frame, C-Face, 7/16" Threaded Shaft</i>								
B63GZABR1036	ASB2973H	-II	1.25	0.75	1.67	230	56	561.80
B63GZABS1037	ASB2975	-III	1.65	1.0	1.65	230	56	574.90
B63GZABT1038	ASB2977	-IV	2.25	1.5	1.47	230	56	621.40
B63GZABU1039	ASB2979	-V	2.60	2.0	1.30	230	56	786.70
<i>SINGLE SPEED, Premium Energy Efficient, 56 Frame, C-Face, 7/16" Threaded Shaft</i>								
0816529800	ASB657	-I	0.98	0.5	1.95	208-230/115	56j	360.60
0816511800	ASB638	-II	1.25	0.75	1.67	208-230/115	56j	387.30
0816512000	ASB654	-III	1.65	1.0	1.65	208-230/115	56j	439.10
0816512200	ASB796	-IV	2.25	1.5	1.50	208-230/115	56j	612.20
0816512400	ASB809	-V	2.60	2.0	1.30	208-230	56j	738.60
0816512600	ASB818	-VI	3.45	3.0	1.15	208-230	56j	910.20
<i>THREE PHASE, 56 Frame, C-Face, 7/16" Threaded Shaft, 50/60Hz Motor</i>								
0815176800	EH282	-I	0.80	0.50	1.60	208-230/460	56j	371.10
0815177000	EH451	-II	1.125	0.75	1.50	208-230/460	56j	442.30
0815177200	EH514	-III	1.40	1.0	1.40	208-230/460	56j	502.90
0815177400	EH617	-IV	1.95	1.5	1.30	208-230/460	56j	653.10
0815177600	EH705	-V	2.40	2.0	1.20	208-230/460	56j	724.50
0815177800	EH741	-VI	3.45	3.0	1.15	208-230/460	56j	866.90
<i>VARIABLE SPEED, 56 Frame, C-Face, 7/16" Threaded Shaft, 50/60Hz Motor</i>								
M48AA85A01		-III	1.65			208-230	56	771.70
M48AA69D29		-V	2.7			230	56	1,348.90
M48AA91D29		-VI	2.7 (w/ SVRS)			230	56	1,517.40