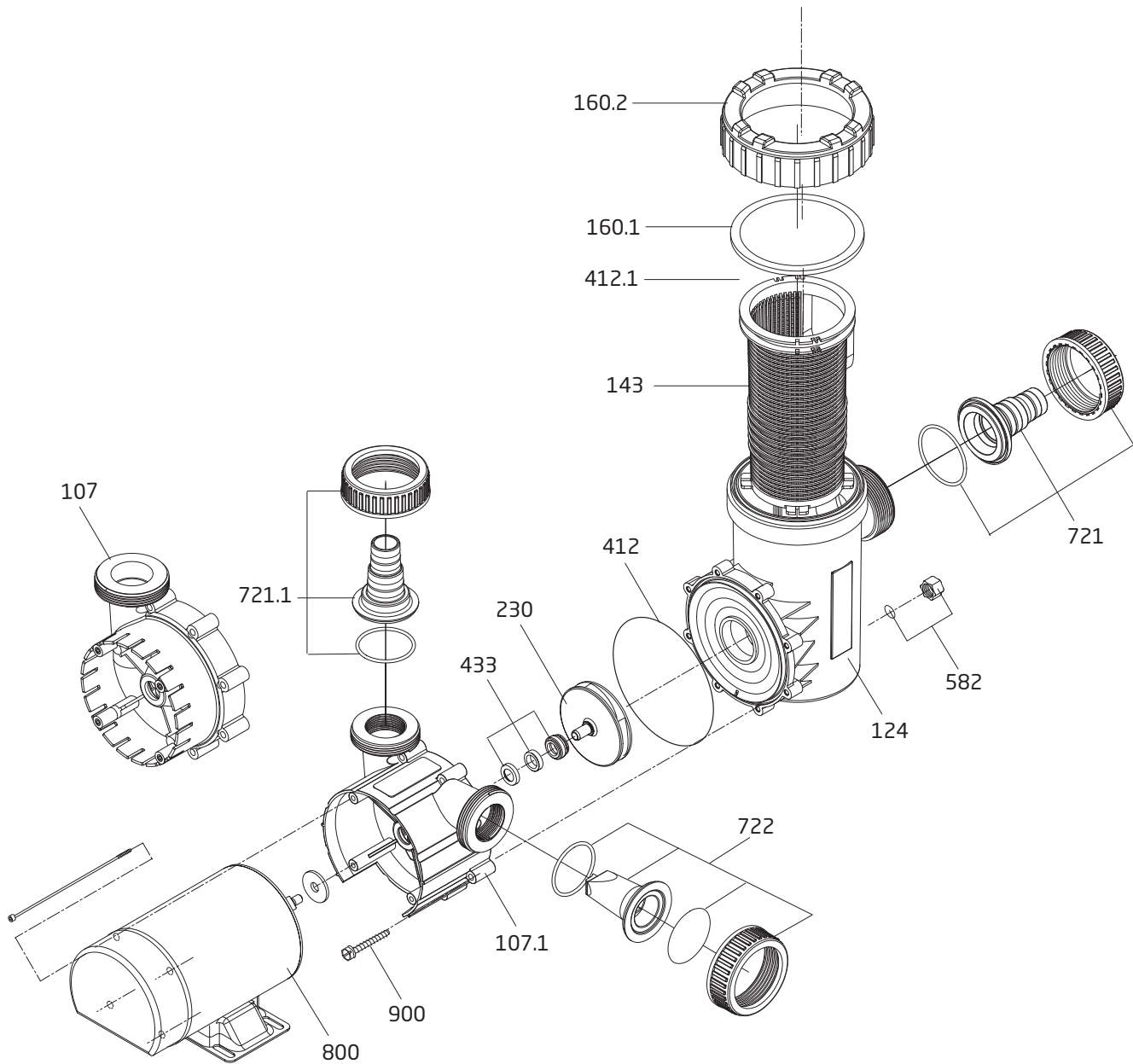


MODEL E71 Series

Above-Ground Swimming Pool Pump

Model E71-I, E71-II & E71-III



MODEL E71 Series



Above-Ground Swimming Pool Pump

Model E71-I, E71-II & E71-III

Order #	Drawing Number	Qty Required	Description	List Price
2901116020	160.2	1	LOCK RING - LID	\$ 21.10
2901116010	160.1	1	LID - CLEAR	19.50
2901141201	412.1	1	O-RING - LID 137 x 5mm	3.20
2901114300	143	1	BASKET - ONE PIECE	16.90
2901141200	412	1	O-RING - CASING 144 x 4mm	3.30
2921923091	230	1	IMPELLER (-I) 0.75 THP (1.0 HP SPL) 99 / 4.5mm	52.40
2921923042	230	1	IMPELLER (-II) 1.0 THP (1.5 HP SPL) 98 / 9mm	52.40
2921923193	230	1	IMPELLER (-III) 1.5 THP (2.0 HP SPL) 106 / 9mm W/ INSERT	52.40
2991000091	900	1	SCREW - CASING (HEX/WASHER/SLOT) M7 x 48mm	4.20
2901172115	107.1	1	CASING - DUAL DISCHARGE	39.50
2921606204	433	1	MECHANICAL SEAL (5/8") - CARBON/CERAMIC	14.60
2901110100B	124	1	STRAINER TANK	73.50
2901158201	582	1	ORANGE DRAIN CAP 3/8" WITH GASKET - CASING	2.80
2901172114	721 & 721.1	1	UNION PACKAGE - SUCTION/DISCHARGE - HOSE ADAPTOR KIT	25.10
2901191600K	722	1	PLUG KIT - DISCHARGE PORT ABS	15.30

Parts Below Are Unique To The Model E71 Shipped Prior To November, 2016

2901210700	107	1	CASING (**PUMP CASING INSERT REQUIRED)	19.80
2901111830	NOT SHOWN	1	PUMP CASING INSERT (-I)	8.70
2901111840	NOT SHOWN	1	PUMP CASING INSERT (-II)	8.70
2901111850	NOT SHOWN	1	PUMP CASING INSERT (-III)	8.70

Optional Parts

2500300925	NOT SHOWN	1	UNION PACKAGE (1.5") - SUCTION/DISCHARGE - NPT/HOSE (STANDARD)	29.20
2921770003	NOT SHOWN	1	UNION PACKAGE (1.5") SLIP - SUCTION	13.90
7300313002	NOT SHOWN	1	UNION PACKAGE (1.5") SLIP - DISCHARGE	15.30
7300313000	NOT SHOWN	1	UNION PACKAGE (2.0") SLIP - DISCHARGE	15.90
2921770001	NOT SHOWN	1	UNION PACKAGE (2.0") SLIP - SUCTION	13.90
2921157700	NOT SHOWN	1	SPANNER - LID	13.80
2921116022	NOT SHOWN	1	LOCK RING WITH HANDLES - LID	35.80

Go Kit for the Model E71, Model E71 VH, and Model E71 VHV

SPK-E71-GOKIT	1	KIT INCLUDES THE FOLLOWING PARTS:		26.00
			2901141201 - O-RING LID 137 x 5mm	
			2901141200 - O-RING CASING 144 x 4mm	
			2921606204 - MECHANICAL SEAL (5/8") CPL	
			2901141211 - O-RING UNION 68 x 3.5mm	
			2901141215 - O-RING UNION 60 x 3.5mm	



REPLACEMENT MOTORS

Order #	MFR #	Model	THP	Specially Rated			VOLTS	List Price
				HP	S.F.			
<i>SINGLE SPEED, 48 FRAME, SPLITPHASE MOTOR</i>								
0818688300	EZBN24	-I	0.75	1.0	SPL		115	\$ 212.60
0818688400	EZBN25	-II	1.0	1.5	SPL		115	238.80
0818688600	(EZ)BN35SS	-III	1.5	2.0	SPL		230	370.30
<i>TWO SPEED, FLEX-48, 48 FRAME, CAP START MOTOR</i>								
0815996300	BN36	-I	0.75	1.0	SPL		115	352.20
0817778200	BN37	-II	1.0	1.5	SPL		115	363.10
0817780300	BN50	-III	1.5	2.0	SPL		115	344.80

All motors have a 3/8" thread stainless steel shaft