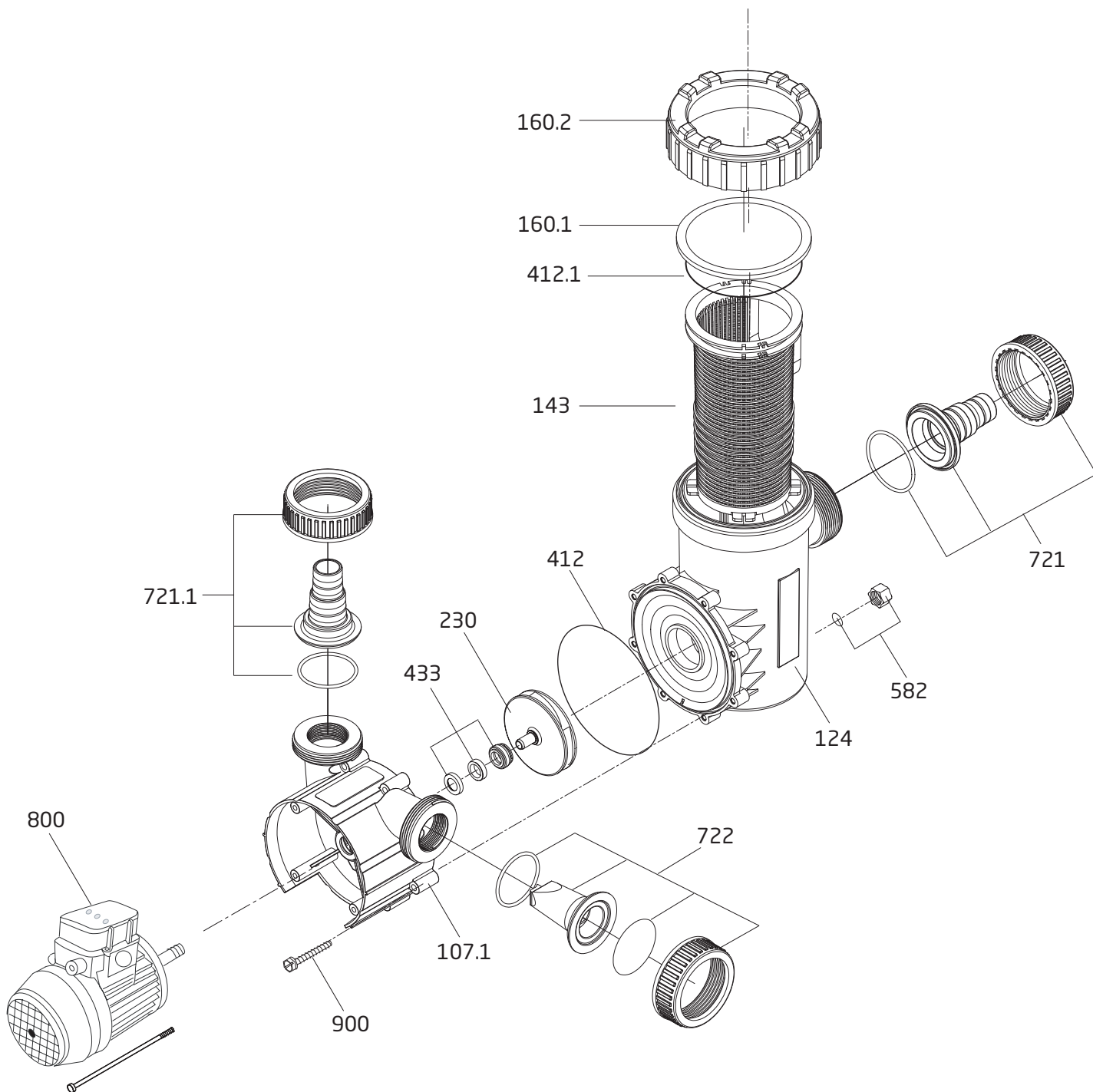


# MODEL E71-II VHV

Above-Ground Variable Speed Swimming Pool Pump



# MODEL E71-II VHV



## Above-Ground Variable Speed Swimming Pool Pump

Order #	Drawing Number	Qty Required	Description	List Price
2901116020	160.2	1	LOCK RING - LID	\$ 21.10
2901116010	160.1	1	LID - CLEAR	19.50
2901141201	412.1	1	O-RING - LID 137 x 5mm	3.20
2901114300	143	1	BASKET - ONE PIECE	16.90
2901141200	412	1	O-RING - CASING 144 x 4mm	3.30
2921923042	230	1	IMPELLER (-II) 1.0 THP (1.5 HP SPL) 98 / 9mm	52.40
2991000091	900	1	SCREW - CASING (HEX/WASHER/SLOT) M7 x 48mm	4.20
2901172115	107.1	1	CASING - DUAL DISCHARGE	39.50
2921606204	433	1	MECHANICAL SEAL (5/8") - CARBON/CERAMIC	14.60
2901110100B	124	1	STRAINER TANK	73.50
2901158201	582	1	ORANGE DRAIN CAP 3/8" WITH GASKET - CASING	2.80
2901172114	721 & 721.1	1	UNION PACKAGE - SUCTION/DISCHARGE - HOSE ADAPTOR KIT	25.10
2901191600K	722	1	PLUG KIT - DISCHARGE PORT ABS	15.30
ECPM750011	800	1	MOTOR - 1.1THP 115-230V 60HZ VARIABLE SPEED	711.70

### Optional Parts

2500300925	NOT SHOWN	1	UNION PACKAGE (1.5") - SUCTION/DISCHARGE - NPT/HOSE (STANDARD)	29.20
2921770003	NOT SHOWN	1	UNION PACKAGE (1.5") SLIP - SUCTION	13.90
7300313002	NOT SHOWN	1	UNION PACKAGE (1.5") SLIP - DISCHARGE	15.30
7300313000	NOT SHOWN	1	UNION PACKAGE (2.0") SLIP - DISCHARGE	15.90
2921770001	NOT SHOWN	1	UNION PACKAGE (2.0") SLIP - SUCTION	13.90
2921157700	NOT SHOWN	1	SPANNER - LID	13.80
2921116022	NOT SHOWN	1	LOCK RING WITH HANDLES - LID	35.80

### Go Kit for the Model E71, Model E71 VH, and Model E71 VHV

SPK-E71-GOKIT	1	KIT INCLUDES THE FOLLOWING PARTS:	26.00
---------------	---	-----------------------------------	-------



- 2901141201 - O-RING LID 137 x 5mm
- 2901141200 - O-RING CASING 144 x 4mm
- 2921606204 - MECHANICAL SEAL (5/8") CPL
- 2901141211 - O-RING UNION 68 x 3.5mm
- 2901141215 - O-RING UNION 60 x 3.5mm