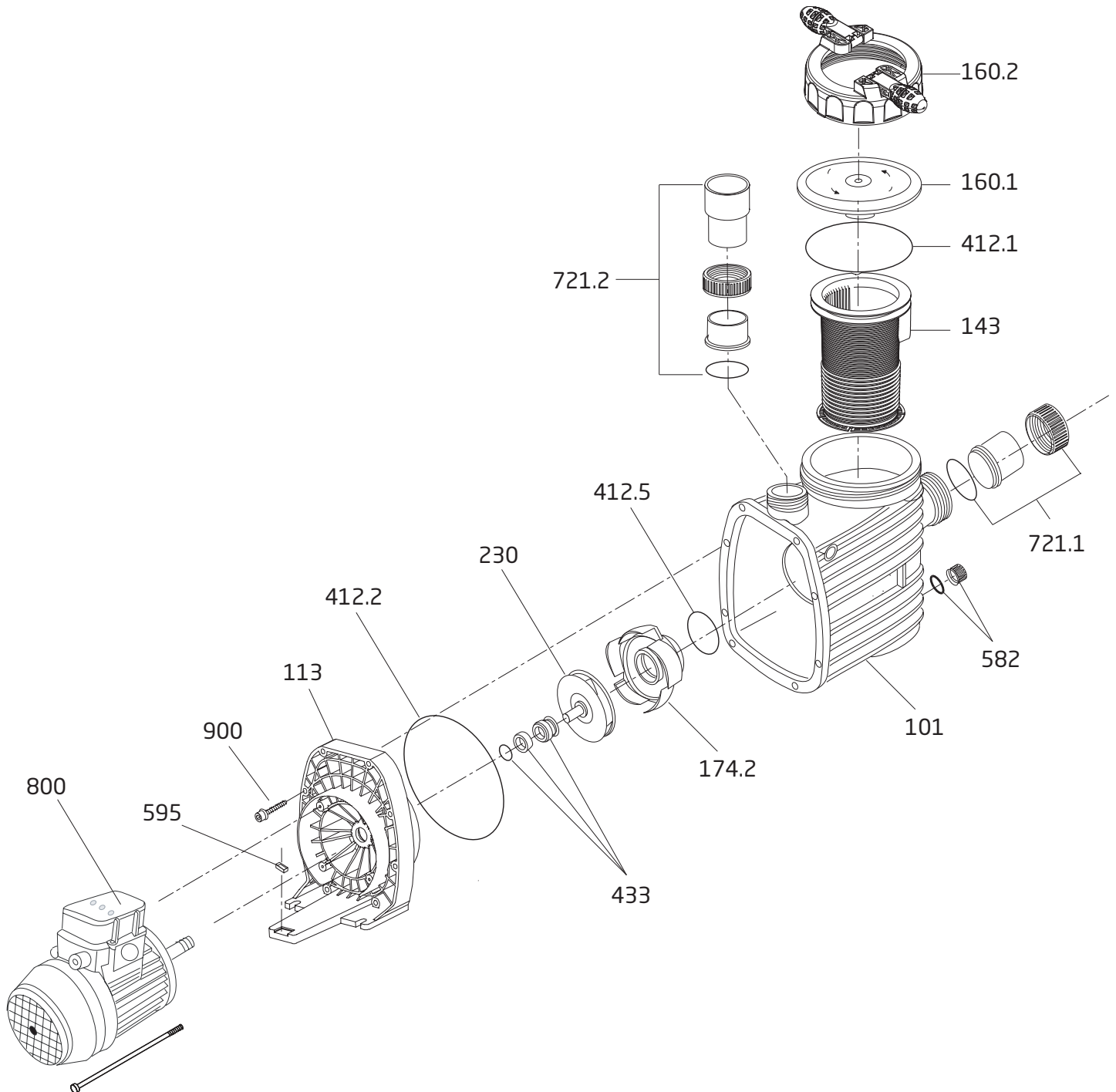


MODEL ES90-II VSP

Swimming Pool Pump



MODEL ES90-II VSP




Swimming Pool Pump

Order #	Drawing Number	Qty Required	Description	List Price
2901116010	160.1	1	LID - CLEAR	\$ 19.50
2921116012B	NOT SHOWN	1	LID - CLEAR WITH LED LIGHT	42.90
2921116022	160.2	1	LOCK RING WITH HANDLES - LID	35.80
2921141210	412.1	1	O-RING - LID 137 x 5mm	5.10
2901114300	143	1	BASKET - ONE PIECE	16.90
2921110130	101	1	CASING	176.10
2901158200	582	1	DRAIN CAP 3/8" WITH GASKET - CASING	2.80
2920889410	894.1	3	LEGO SPACER	0.60
2991000091	900	8	SCREW - CASING HEX/SLOT M7 x 48mm SS	4.20
2920141210	412.5	1	O-RING - DIFFUSER 90 x 5mm	3.40
2921117412	174.2	1	DIFFUSER	48.50
2921223040	230	1	IMPELLER (-II VSP) 1.1 THP 115 / 9mm (3/8") 6V	52.40
2921606204	433	1	MECHANICAL SEAL (5/8") - CARBON/CERAMIC	14.60
2921141222	412.2	1	O-RING - CASING 190 x 6mm	10.20
2921116112	113	1	FLANGE/SEAL HOUSING	124.60
2921770005	721.1	1	SET - SUCTION UNION COMPLETE	13.90
2500300902	721.2	1	SET - DISCHARGE UNION COMPLETE	32.60
2500300914	721.1 & 721.2	1	SET - SUCTION/DISCHARGE UNION COMPLETE	46.40
ECPM750011	800	1	MOTOR - 1.1THP 115-230V 60 HZ VARIABLE SPEED	711.70

Parts Below Are Unique To The Model ES90 Shipped Prior To January, 2015

2901116020	160.2	1	LOCK RING - LID	21.10
2921157700	108	1	SPANNER - LID (OPTIONAL PART)	13.80

Go Kits For The Model ES90 Series

SPK-ES90-GOKIT	KIT INCLUDES THE FOLLOWING PARTS:			38.30
			2921141210 - O-RING LID 137 x 5mm	
			2920141210 - O-RING DIFFUSER 90 x 5mm	
			2921606204 - MECHANICAL SEAL (5/8") CARBON/CERAMIC	
			2921141222 - O-RING CASING 190 x 6mm	
			2920241220 - O-RING UNION 50 x 3mm	
			2901141211 - O-RING UNION 68 x3.5mm	