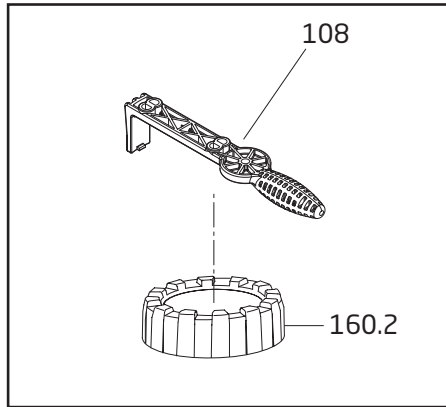
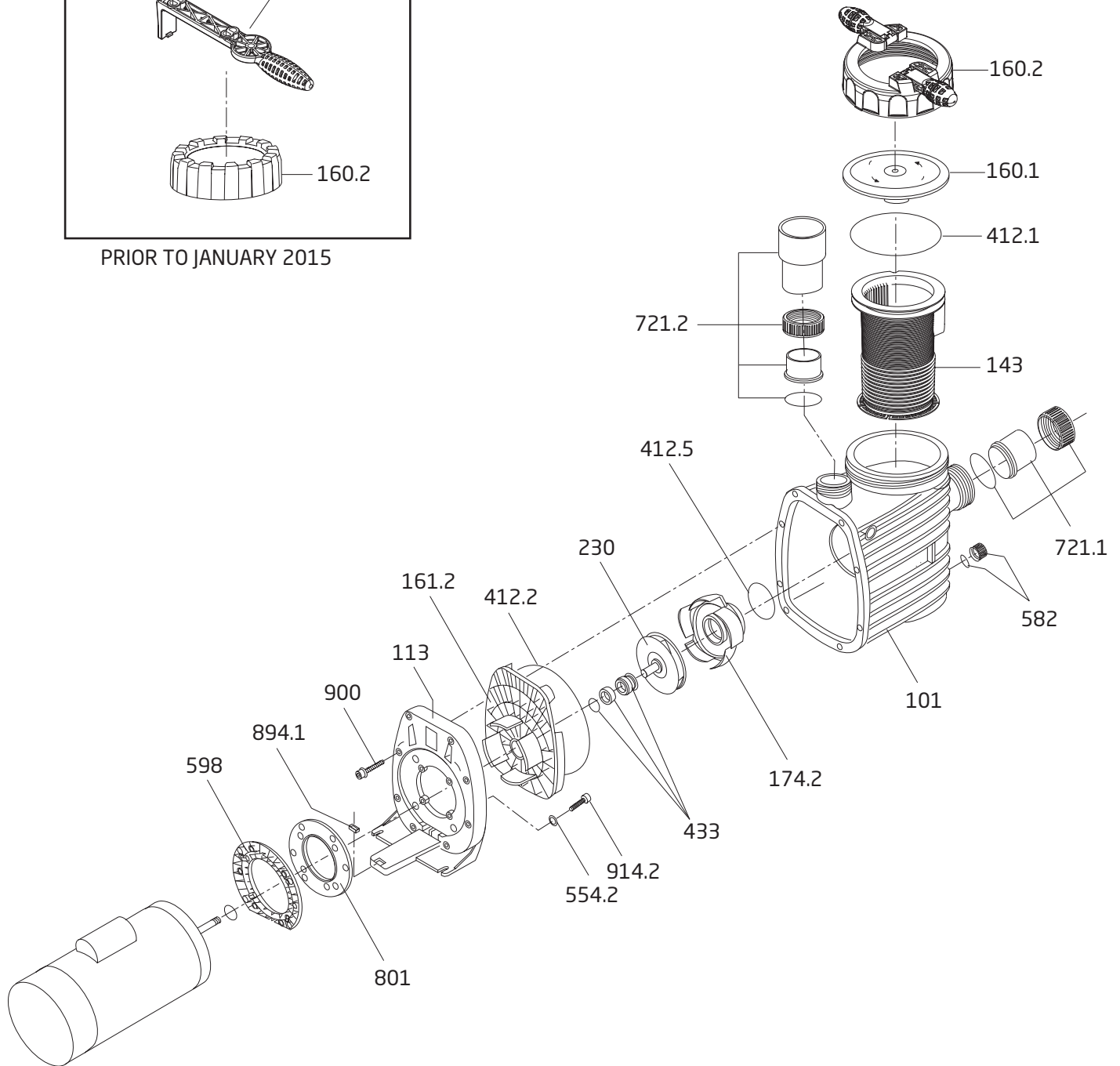


MODEL S90

Swimming Pool Pump



PRIOR TO JANUARY 2015



MODEL S90



Swimming Pool Pump

Order #	Drawing Number	Qty Required	Description	List Price
2901116010	160.1	1	LID - CLEAR	\$ 19.50
2921116012B	NOT SHOWN	1	LID - CLEAR WITH LED LIGHT	42.90
2921116022	160.2	1	LOCK RING WITH HANDLES - LID	35.80
2921141210	412.1	1	O-RING - LID 137 x 5mm	5.10
2901114300	143	1	BASKET - ONE PIECE	16.90
2921110130	101	1	CASING	176.10
2901158200	582	1	DRAIN CAP 3/8" WITH GASKET - CASING	2.80
2920889410	894.1	1	LEGO SPACER	0.60
2991000091	900	8	SCREW - CASING HEX/SLOT M7 x 48mm SS	4.20
2920141210	412.5	1	O-RING - DIFFUSER 90 x 5mm	3.40
2921117412	174.2	1	DIFFUSER	48.50
2920223089	230	1	IMPELLER (-I) 0.75 HP S.F. 1.0 104/3.5mm	75.40
2920223090	230	1	IMPELLER (-II) 1.0 HP S.F. 1.0 101/9.0mm	75.40
2920223091	230	1	IMPELLER (-III) 1.5 HP S.F. 1.0 106/9.0mm	75.40
2920223092	230	1	IMPELLER (-IV) 2.0 HP S.F. 1.0 114/9.0mm	75.40
2920343310	433	1	MECHANICAL SEAL (20mm) COMPLETE	55.60
2921141222	412.2	1	O-RING - CASING 190 x 6mm	10.20
2920216110	801	1	INTERMEDIATE FLANGE	8.40
2921116110	161.2	1	SEAL HOUSING	32.60
2921111300	113	1	FLANGE	41.50
2920110200	598	1	MOTOR FLANGE - 56 FRAME	14.80
2991400029	914.2	4	BOLT - MOTOR (3/8-16 x 2.25")	2.80
2991400035	554.2	4	WASHER - MOTOR BOLT (3/8") SS	0.70
2921770005	721.1	1	SET - SUCTION UNION COMPLETE	13.90
2500300902	721.2	1	SET - DISCHARGE UNION COMPLETE	32.60
2500300914	721.1 & 721.2	1	COMPLETE UNION PACKAGE - SUCTION/DISCHARGE	46.40

Parts Below Are Unique To The Model S90 Shipped Prior To January, 2015

2901116020	160.2	1	LOCK RING - LID	21.10
2921157700	108	1	SPANNER - LID (OPTIONAL PART)	13.80

Go Kits For The Model S90

SPK-S90-GOKIT	1	KIT INCLUDES THE FOLLOWING PARTS:		77.00
---------------	---	-----------------------------------	--	-------



- 2921141210 - O-RING LID 137 x 5mm
- 2920141210 - O-RING DIFFUSER 90 x 5mm
- 2920343310 - MECHANICAL SEAL (20mm) CPL
- 2921141222 - O-RING CASING 190 x 6mm
- 2920241220 - O-RING UNION 50 x 3mm
- 2901141211 - O-RING UNION 68 x 3.5mm

REPLACEMENT MOTORS FOR SPECK PUMP MODELS - S90

Order #	MFR #	Model	THP	HP	S.F.	Volts	Frame	List Price
<i>SINGLE SPEED, Standard Efficient Max Rated, 56 Frame, C-Face, 7/16" Threaded Shaft</i>								
0817749000	EB227	-I	0.98	0.75	1.25	115/230	56	\$ 345.30
0817750000	EB228	-II	1.25	1.0	1.25	115/230	56	362.70
0817750100	EB229	-III	1.65	1.5	1.10	115/230	56	401.70
0817750200	EB230	-IV	2.25	2.0	1.10	115/230	56	442.50
<i>TWO SPEED, Premium Energy Efficient, 56 Frame, C-Face, 7/16" Threaded Shaft</i>								
B63GZABR1036	ASB2973H	-II	1.25	0.75	1.67	230	56	561.80
B63GZABS1037	ASB2975	-III	1.65	1.0	1.65	230	56	574.90
B63GZABT1038	ASB2977	-IV	2.25	1.5	1.47	230	56	621.40
B63GZABU1039	ASB2979	-V	2.60	2.0	1.30	230	56	786.70
<i>SINGLE SPEED, Premium Energy Efficient, 56 Frame, C-Face, 7/16" Threaded Shaft</i>								
0816529800	ASB657	-I	0.98	0.5	1.95	208-230/115	56j	360.60
0816511800	ASB638	-II	1.25	0.75	1.67	208-230/115	56j	387.30
0816512000	ASB654	-III	1.65	1.0	1.65	208-230/115	56j	439.10
0816512200	ASB796	-IV	2.25	1.5	1.50	208-230/115	56j	612.20
0816512400	ASB809	-V	2.60	2.0	1.30	208-230	56j	738.60
0816512600	ASB818	-VI	3.45	3.0	1.15	208-230	56j	910.20
<i>THREE PHASE, 56 Frame, C-Face, 7/16" Threaded Shaft, 50/60Hz Motor</i>								
0815176800	EH282	-I	0.80	0.50	1.60	208-230/460	56j	371.10
0815177000	EH451	-II	1.125	0.75	1.50	208-230/460	56j	442.30
0815177200	EH514	-III	1.40	1.0	1.40	208-230/460	56j	502.90
0815177400	EH617	-IV	1.95	1.5	1.30	208-230/460	56j	653.10
0815177600	EH705	-V	2.40	2.0	1.20	208-230/460	56j	724.50
0815177800	EH741	-VI	3.45	3.0	1.15	208-230/460	56j	866.90
<i>VARIABLE SPEED, 56 Frame, C-Face, 7/16" Threaded Shaft, 50/60Hz Motor</i>								
M48AA85A01		-III	1.65			208-230	56	771.70
M48AA69D29		-V	2.7			230	56	1,348.90
M48AA91D29		-VI	2.7 (w/ SVRS)			230	56	1,517.40