

MODEL ES90-II VSP

Dual Voltage Variable Speed
Swimming Pool Pump



Model ES90-II VSP

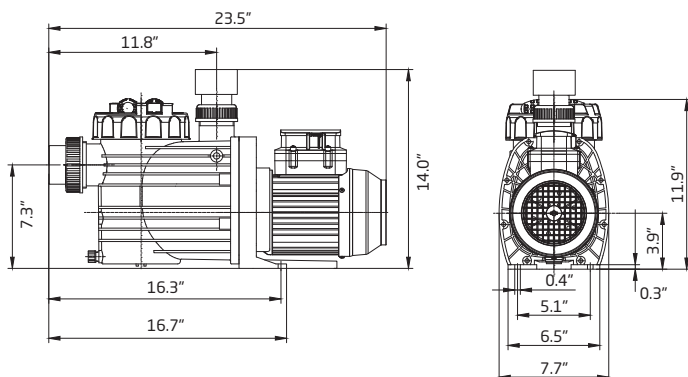
Features

- This high performance, medium head pump comes complete with an industry standard Carbon/Ceramic 5/8" mechanical seal for convenient replacement.
- Non-corrosive, chemical/UV resistant, and can withstand temperatures of up to 150°F.
- Equipped with quick disconnect unions for easy installation and maintenance. Comes standard with 2" suction and 1.5"/2" discharge.
- For pool users' safety, the impeller has a dielectric shaft sleeve that provides absolute separation between pool water and electric parts.
- Lock ring that incorporates handles. These handles provide the user with a convenient way to easily remove the lid.
- Clear lid with LED light, allowing the user to check the basket for debris.
- Reusable o-rings throughout.
- Every pump is performance tested before leaving the Speck factory.

Features Specific to the 1.1 THP Dual Voltage Motor

- Pump is equipped with a 1.1 THP (48 frame thru-bolt mount) Variable Speed Motor.
- Motor runs on a wide voltage range 100-130/200-250V (without switching).
- Built-In Controller, LED Screen & Keypad can be locked for safety.
- 3 Adjustable Power Levels - Levels can be set to range from 50 Watts/1000 RPM to 1000 Watts/3500 RPM (in increments of 10 Watts).
- Programmable high efficiency TEFC (totally enclosed fan cooled) maintenance free permanent magnet brushless 48 frame motor.

Dimensional Drawing



Technical Data

Order #	Model #	THP	Volts	Motor/Frame	Speed
IG155-V100T-000	ES90-II VSP	1.1	115-230	TEFC/48	variable

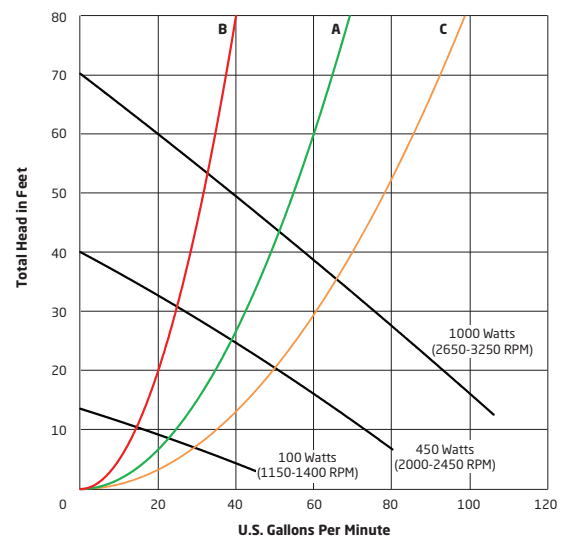
Trademarks and Certifications



Applications

- In-ground pools (small to medium)
- Residential pools

Performance Curves



B, A, and C represent average system curves for pools with the pipe diameter mentioned below.

B = 1.5" pipe A = 2.0" pipe C = 2.5" pipe