

BADU[®] Pro-III UVS (1.65 THP)

Self-Priming High Flow Pump



A Drop in replacement design for Hayward[®] Super Pump[®] and Pentair[®] SuperFlo[®] pumps

Features

- The BADU Pro pump series saves you time & money while making your life simpler.
- Easily serviceable 4-bolt design & handle
- This high performance pump comes complete with our unique mechanical shaft seal that allows the pump, if mistreated, to run dry for up to one hour. The pump can be used for pool water with a salt concentration of up to 5000 ppm.
- Non-corrosive, chemical/UV resistant, and can withstand temperatures of up to 175°F.
- Lid lock ring that incorporates handles. These handles provide the user with a convenient way to easily remove the lid.
- Clear lid with built-in LED light, allowing the user to check the basket for debris.
- Suction and discharge come equipped with quick disconnect unions as well as internal threads for easy installation and maintenance.
- Programmable high efficiency TEFC maintenance-free permanent magnet brushless motor.
- 1.65 THP (115/230 V) variable speed motor with built-in easy to use controller LCD screen. User Interface can be easily be rotated 90° or 180°.
- Variable speed control, ranging from 600 to 3450 RPM. Levels can be set in increments of 10 RPM.
- Motor features: Built-in real time clock, low temperature monitor, menu keypad lockout, and programmable auxiliary load feature.
- Digital inputs for compatibility with pool automation systems.
- Every pump is performance tested before leaving the Speck factory.



BADU Pro-III UVS

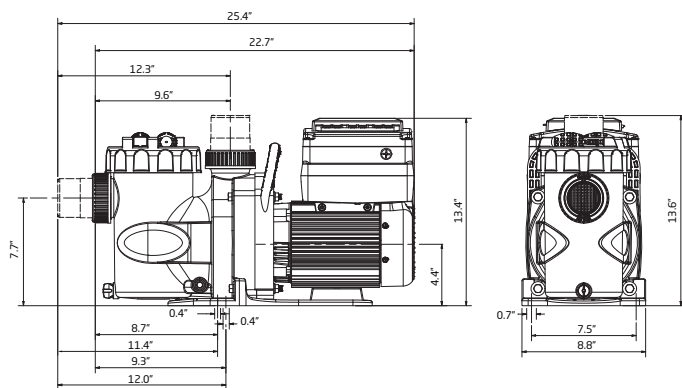
Trademarks and Certifications



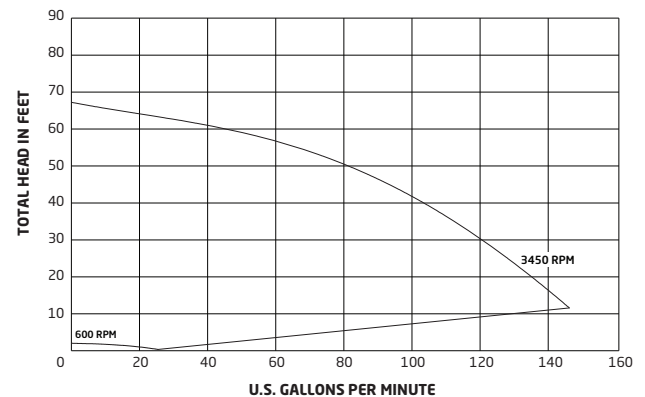
Applications

- Residential pools & spas
- In-ground pools (small to medium)

Dimensional Drawing



Performance Curve



Technical Data

Order #	Model #	THP	WEF	Volts	Motor	Port Size	List Price
IG385-V165T-OUS	BADU Pro-III UVS	1.65	8839	230/115	TEFC	1.5"	\$1,315.00
IG385-V165T-TUS	BADU Pro-III UVS	1.65	8839	230/115	TEFC	2.0"	1,315.00

Hayward[®] and Super Pump[®] & Super III[™] are trademarks and/or registered trademarks of Hayward Industries, Inc. Pentair[®], SuperFlo[®] are trademarks and/or registered trademarks of Pentair Water Pool and Spa, Inc. and/or its affiliated companies.

8125 Bayberry Road, Jacksonville, Florida 32256 USA | Phone: (904) 739-2626 | Fax: (904) 737-5261
Website: www.speck-pumps.com

Rev. 01/2021