

Next Level Resistance Swimming in a manageable package for any style pool. Delivers massive flow while minimizing plumbing, visibility and noise.

Features

- 1,100 Gallons per Minute for Serious Performance.
- Propeller-Driven Design for Clean, Turbulence-Free Flow.
- Multiple Speeds for Any Level of Swimmer.
- Intuitive Controls both Underwater and on Your Phone.
- Permanent Magnet Motor for Extremely Quiet Operation.
- Innovative Direct-in-wall Design Eliminates Costly Plumbing.
- Large Anti-Entrapment Cover for Safety and Peace of Mind,

Installation Specifications

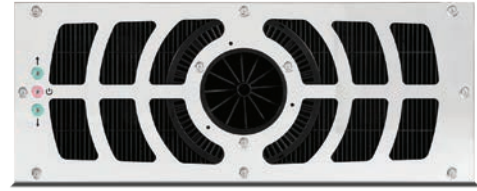
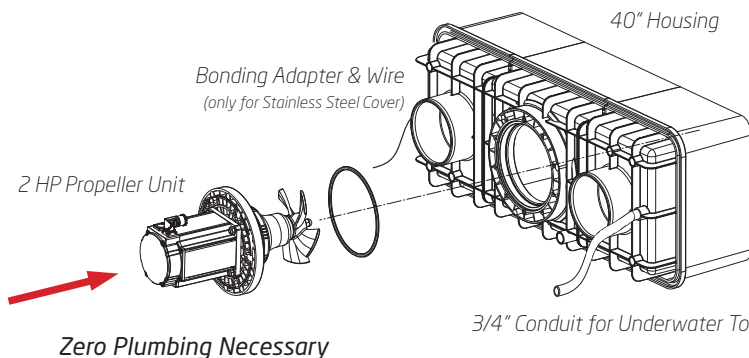
The BaduJet Turbo should be incorporated into the design phase of the pool.

- It requires a clear unobstructed area within the swimming pool that is 8 ft wide x 15 ft long x 3 ft deep to be used to its full potential. *(Call us if you think it's close.)*
- BaduJet Turbo Housing measures 40" x 17" x 16"
- A vault measuring 24" x 24" x 32" should be built behind the BaduJet Turbo, allowing access to the motor and proper drainage. We recommend using a 26" x 26" HIDE Access Cover Kit (HAC26-0.8) over the vault. **Proper drainage is extremely important.** Motor damage due to flooding will not be covered under warranty.
- BaduJet Turbo draws 13 Amps and requires a 20 Amp service

The BaduJet Turbo system is provided with installation instructions for various pool construction types. They can be installed on either new or existing pools, and on any style; from gunite and fiberglass through vinyl-liner steel and polymer builds.

[Read all instructions before installing.](#)

Consult your physician before attempting any strenuous exercise. This product may not be challenging or satisfying for all levels of exercise.



(shown with optional stainless steel cover)



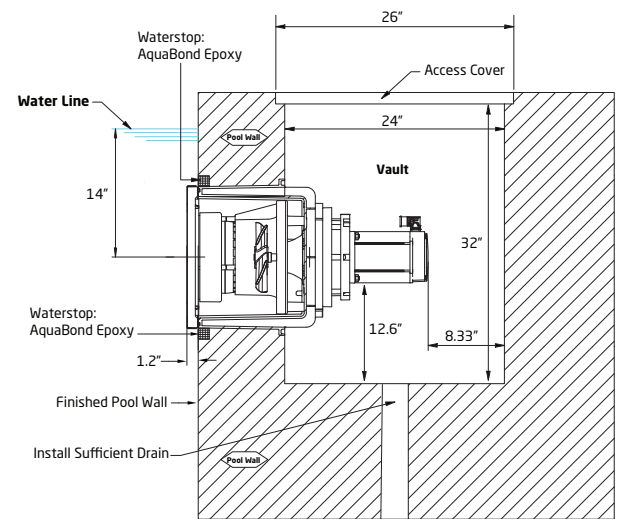
Trademarks and Certifications



Complies with UL 1563
CSA C22.2 No. 218.1-M89
Swimming Pool Equipment
Listing #E212148

VGBA 2017

Vault Drawing



Side View

NOTE: Patented combined suction and discharge fitting does not require main drains.



Part Numbers

Order #	Description
JS453-9211T-10P	BaduJet Turbo SwimJet System (1,100 GPM) - Jet Housing with Plastic Cover , Control Box with WIFI, 2 HP Motor, and Variable Frequency Drive
JS453-9211T-100	BaduJet Turbo SwimJet System (1,100 GPM) - Jet Housing with Stainless Steel Cover , Control Box with WIFI, 2 HP Motor, and Variable Frequency Drive

NOTE: The BaduJet Turbo is packed in two boxes on a pallet and shipped via truck line.



Accessories

Order #	Description
2328009311	Alternate Stainless Steel Bubble Design Cover
2328120050K	Winter Cover Kit
2325000014	VFD Motor Cable, 80 ft.
2325000015	VFD Motor Cable, 150 ft.
2336002869A	LED Touch Button with 100 ft. Cable

The system includes the following items along with the jet housing.



Variable Frequency Drive

Motor Unit with 30 ft. Cable

SPECK Control Box