

Invertek® Eco Optidrive

Variable Frequency Drive

SPECK X

Features

- The Invertek Eco Optidrive series features a weather proof, watertight, and corrosion resistant enclosure.
- Invertek's "Ease of Use" philosophy ensures that advanced features are simple to commission, without requiring extensive, in depth knowledge of a huge number of parameters.
- Guided Start-Up: Simplifies initial programming
- Motor and Drive are protected against voltage spikes, phase imbalance and power surges.
- Multiple Pump Control
- Efficiency ratings greater than 98%
- Smooth motor acceleration/deceleration
- Dry run protection: the drive can evaluate a pump's speed/power and shut it off or warn when the pump starts to run dry, protecting it from heat/friction damage.
- Drive included all necessary hardware, I/O and communication features without the need to purchase any additional equipment
- LCD graphical keypad with intuitive wizards, built-in help text, and a user friendly interface.

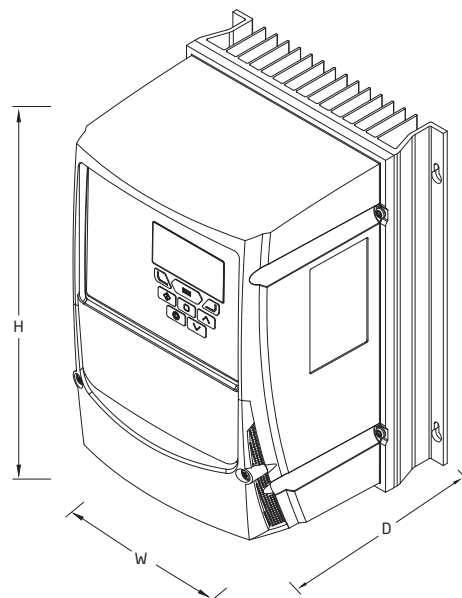


Trademarks and Certifications



Technical Data

FRAME SIZE	HEIGHT "H"	WIDTH "W"	DEPTH "D"
2	10.12"	7.40"	7.17"
3	12.20"	8.31"	9.25"
4	14.17"	9.45"	10.67"
5	21.26"	9.25"	10.63"
6	34.06"	12.99"	13.07"
7	50.39"	12.99"	14.09"
8	52.51"	17.48"	16.65"



Part Numbers

Single Phase input to Three Phase output, 200-240 VAC, w/ switch

Order #	Model #	Enclosure	HP	kW	Amps	Frame Size
VF721-L001N-I4X	VFD	IP66/NEMA 4X	1.0	0.75	4.3	2
VF721-L002N-I4X	VFD	IP66/NEMA 4X	2.0	1.5	7.0	2
VF721-L003N-I4X	VFD	IP66/NEMA 4X	3.0	2.2	10.5	2
VF721-L005N-I4X	VFD	IP66/NEMA 4X	5.0	4.0	15.3	3
VF721-L007N-I4X	VFD	IP66/NEMA 4X	7.5	5.5	24.0	4
VF721-L010N-I4X	VFD	IP66/NEMA 4X	10.0	7.5	30.0	4

Three Phase input to Three Phase output, 200-240 VAC, w/ switch

Order #	Model #	Enclosure	HP	kW	Amps	Frame Size
VF723-L001N-I4X	VFD	IP66/NEMA 4X	1.0	0.75	4.3	2
VF723-L002N-I4X	VFD	IP66/NEMA 4X	2.0	1.5	7.0	2
VF723-L003N-I4X	VFD	IP66/NEMA 4X	3.0	2.2	10.5	2
VF723-L005N-I4X	VFD	IP66/NEMA 4X	5.0	4.0	18.0	3
VF723-L007N-I4X	VFD	IP66/NEMA 4X	7.5	5.5	24.0	3
VF723-L010N-I4X	VFD	IP66/NEMA 4X	10.0	7.5	30.0	3
VF723-L015N-I4X	VFD	IP66/NEMA 4X	15.0	11.0	46.0	4

Three Phase input to Three Phase output, 380-480 VAC, w/ switch

Order #	Model #	Enclosure	HP	kW	Amps	Frame Size
VF723-H001N-I4X	VFD	IP66/NEMA 4X	1.0	0.75	2.2	2
VF723-H002N-I4X	VFD	IP66/NEMA 4X	2.0	1.5	4.1	2
VF723-H003N-I4X	VFD	IP66/NEMA 4X	3.0	2.2	5.8	2
VF723-H005N-I4X	VFD	IP66/NEMA 4X	5.0	4.0	9.5	2
VF723-H007N-I4X	VFD	IP66/NEMA 4X	7.5	5.5	14.0	2
VF723-H010N-I4X	VFD	IP66/NEMA 4X	10.0	7.5	18.0	3
VF723-H015N-I4X	VFD	IP66/NEMA 4X	15.0	11.0	24.0	3
VF723-H020N-I4X	VFD	IP66/NEMA 4X	20.0	15.0	30.0	3
VF723-H025N-I4X	VFD	IP66/NEMA 4X	25.0	18.5	39.0	4
VF723-H030N-I4X	VFD	IP66/NEMA 4X	30.0	22.0	46.0	4

Non-stock NEMA 12 Drives for Larger Horsepowers

Three Phase input to Three Phase output, 200-240 VAC

Order #	Model #	Enclosure	HP	kW	Amps	Frame Size
VF723-L040N-I12	VFD	IP55/NEMA 12	40.0	30.0	110.0	6
VF723-L050N-I12	VFD	IP55/NEMA 12	50.0	37.0	150.0	6
VF723-L060N-I12	VFD	IP55/NEMA 12	60.0	45.0	180.0	6

Three Phase input to Three Phase output, 380-480 VAC, w/ switch

Order #	Model #	Enclosure	HP	kW	Amps	Frame Size
VF723-H040N-I12	VFD	IP55/NEMA 12	40.0	30.0	61.0	5
VF723-H050N-I12	VFD	IP55/NEMA 12	50.0	37.0	72.0	5
VF723-H060N-I12	VFD	IP55/NEMA 12	60.0	45.0	90.0	5